

**LEGO MINDSTORMS™**

**STAR  
WARS™**

# DROID DEVELOPER KIT

CONSTRUCTION PROJECTS

9748

# CONTENTS

<b>Introduction</b>	<i>page</i> 4
<b>Getting Started</b> Installing Batteries, Using the Light Sensor, Using the Buttons and Display Windows.	<i>page</i> 6
<b>Building Instructions</b>	<i>page</i> 11
<i>L-3GO Trainer Droid™</i>	<i>page</i> 12
<i>R2-D2™ Astromech Droid™</i>	<i>page</i> 38
<i>Jedi Knight Droid™</i>	<i>page</i> 82
<b>Special Features</b> Additions for your Droids.	<i>page</i> 111
<b>Technical Stuff</b>	<i>page</i> 117
<i>Droid™ Developer Kit CD-ROM</i>	<i>page</i> 118
<i>Tips &amp; Tricks</i>	<i>page</i> 120

## Meet the Micro Scout

The Micro Scout is a smart LEGO brick with a microcomputer inside. Using the Micro Scout, you can build and program Droids that do what you want.

- The Micro Scout has a built-in motor that lets your Droids move.
- It has a built-in Light Sensor that lets your Droids react to light.
- It also has a Display Window and buttons that let you control what your Droid does.



*The Micro Scout has seven different programs that control your Droid's behavior.*

## How it Works

The Micro Scout works like the Droids you know from the *Star Wars* universe...well almost.

1. The Micro Scout uses its sensor to scan for changes in light.
2. When the sensor sees a change in light, it sends a signal to the Micro Scout's brain (a computer chip).
3. The brain decides what to do, such as turn on the motor or play a sound.

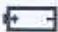


## INSTALLING BATTERIES

The Micro Scout requires two AA/LR6 batteries (not included in the set). Alkaline batteries are recommended.

1. Open the Micro Scout by pulling the battery cover in the direction of the two arrows.
2. Put in the two batteries.
3. Slide the battery lid back on.

### Important:

When the Micro Scout's batteries are low, a battery icon  appears in the Display Window.

### Instructions for use of battery box:

Never mix different types of batteries or old and new batteries in one battery box. Always remove the batteries from the battery box for long-term storage or if they have reached the end of their life. Liquid leaking from dead batteries will damage the battery box.

### FCC Statement:

This device complies with part 15 of the FCC Rules. Operation is subject to the following two conditions: (1) This device may not cause harmful interference, and (2) this device must accept any interference that may cause undesired operation.



## USING THE BUTTONS

### ON-OFF

The On-Off button turns the Micro Scout on and off.

*When ON, the Micro Scout is ready for your commands.*

### SELECT

The Select button lets you scroll through the 7 built-in programs, as well as the P program.\*

\* Check out [www.legomindstorms.com/ddk](http://www.legomindstorms.com/ddk) for more information on the P program.

### RUN

The Run button starts and stops the Micro Scout.

*When a program is running, you will see the number flashing on the display.*



## LIGHT SENSOR

A Light Sensor is built into the front of the Micro Scout. It lets the Micro Scout see changes in light.

The Light Sensor is placed at a 45 degree angle.



When using a light to control your Droid, be sure to aim your light directly at the Light Sensor.



### Checkpoint: Light Sensor

1. Make sure the Micro Scout is turned on.
2. Press **Select** until the display shows Program 6.

*This is the Alarm program.*

3. Press **Run**.

*The Micro Scout plays a sound while it measures the light level.*

4. Cover the Light Sensor with your hand or flash a light at it to trigger the alarm.

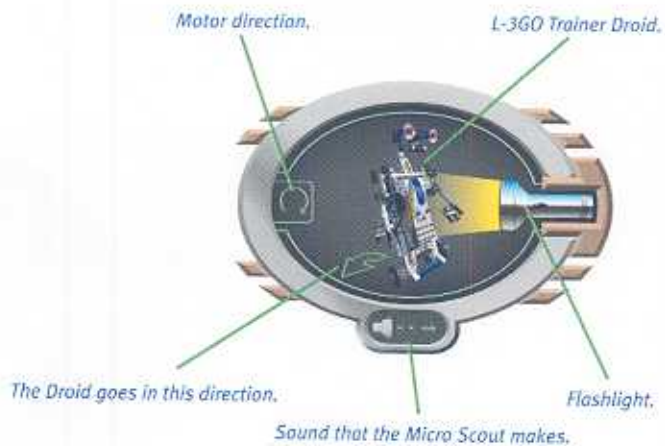
*The alarm should sound and the motor should spin.*



## PROGRAMS

The Micro Scout has seven built-in programs that control its behavior. Use the Select and Run button to try them out.

- Note that other Droids may drive differently from L-3GO, according to the way their gears and mechanisms are constructed.



### ONE DIRECTION



L-3GO drives backwards.



### TWO DIRECTIONS



L-3GO first drives backwards.



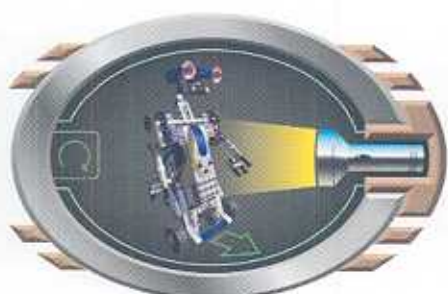
L-3GO then drives forwards.

3

## SEEK LIGHT



*L-3GO drives backwards.*



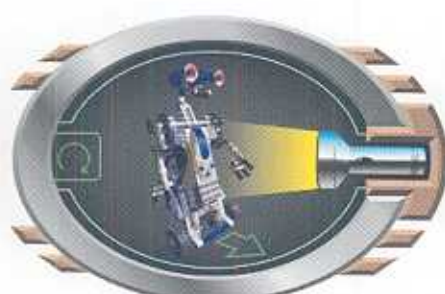
*When L-3GO sees a light, it drives forwards.*

4

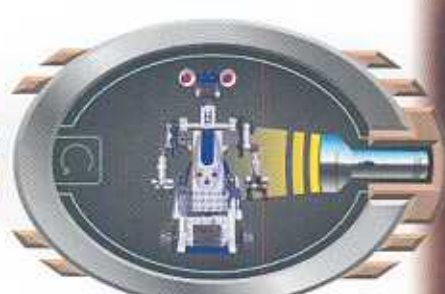
## LIGHT CONTROL



*L-3GO stands still.*



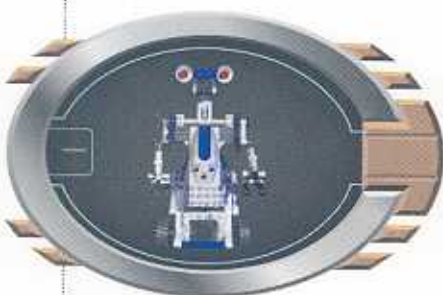
*When L-3GO sees a light, it moves.*



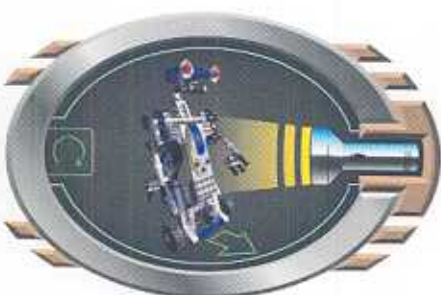
*When L-3GO detects two flashes from a light source, the Droid changes direction.*

5

## KEEP ALIVE



*L-3GO stands still.*

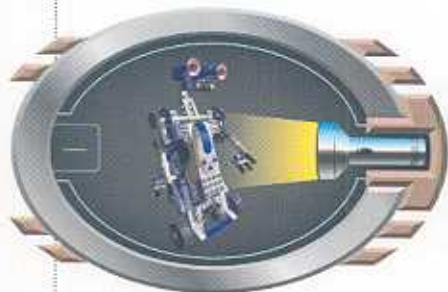


*When a light is flashed L-3GO drives forwards and picks up speed.*



6

## ALARM



*L-3GO waits for a change in light.*



*When L-3GO sees a light change, an alarm sounds and the Droid goes back and forth.*

7

## CODE



*L-3GO plays a sequence of short and long beeps.*



*Play the same sequence with your flashlight.*



*If the code is correct L-3GO drives forwards for a split-second.*



*If the code is wrong L-3GO drives backwards for a split-second.*

P

## CONTROL

*The P program is designed to work with future versions of LEGO MINDSTORMS products. See [www.legomindstorms.com/ddk](http://www.legomindstorms.com/ddk) for more information.*

## **BUILDING INSTRUCTIONS**

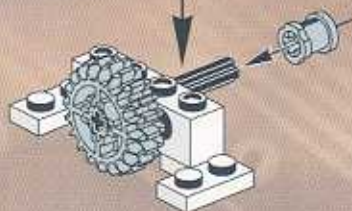
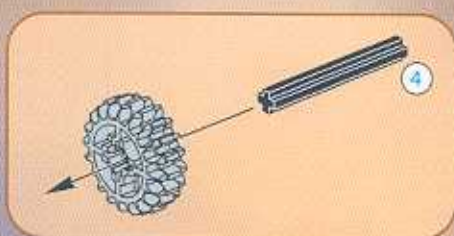
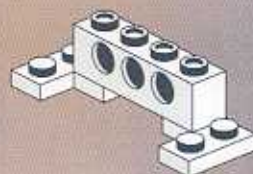
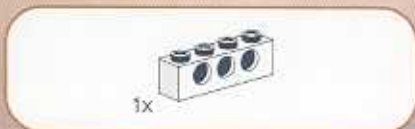
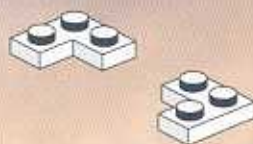
*Part 1 - L-3GO Trainer Droid™*

*Part 2 - R2-D2™ Astromech Droid™*

*Part 3 - Jedi Knight Droid™*

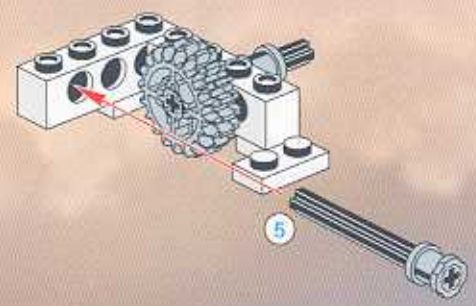




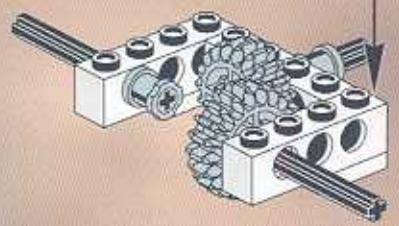
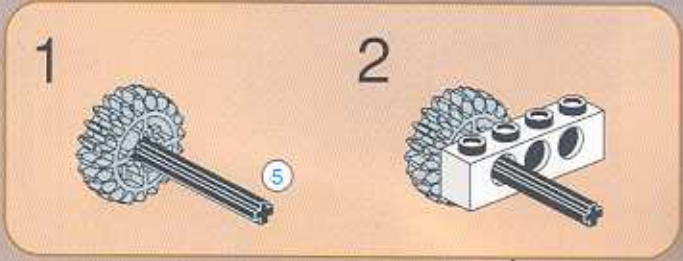




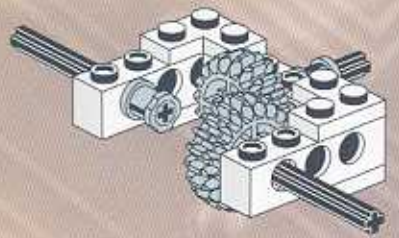
4



5

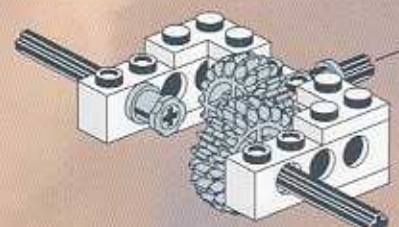
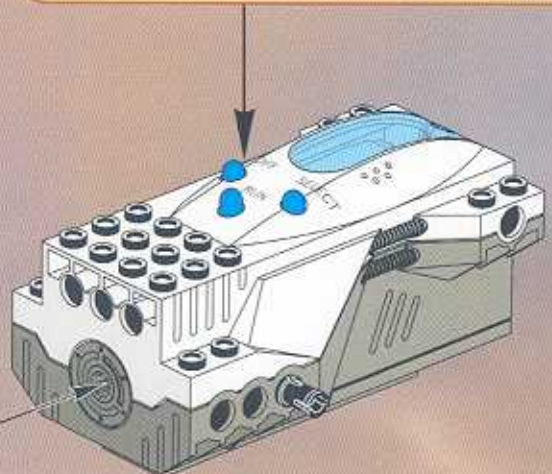
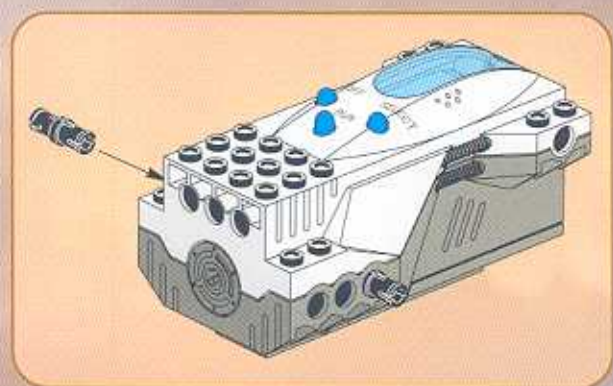


6

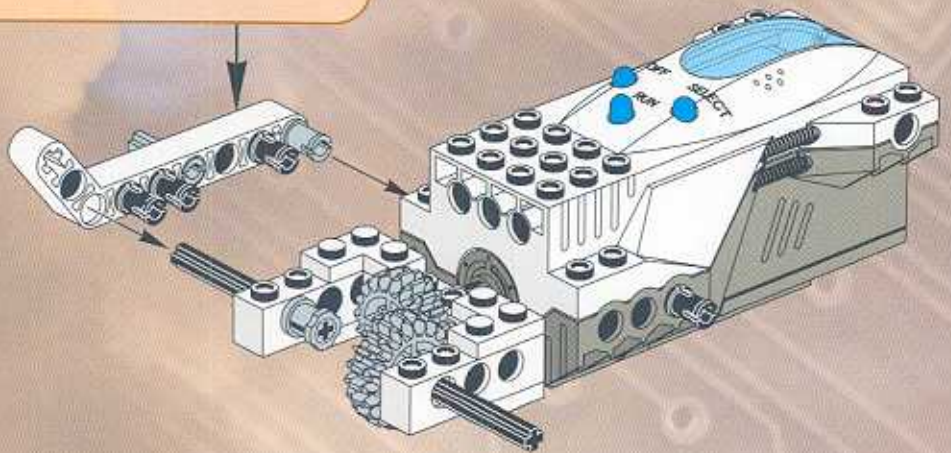
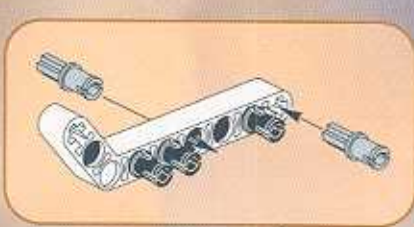
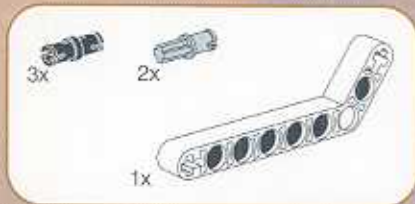




7

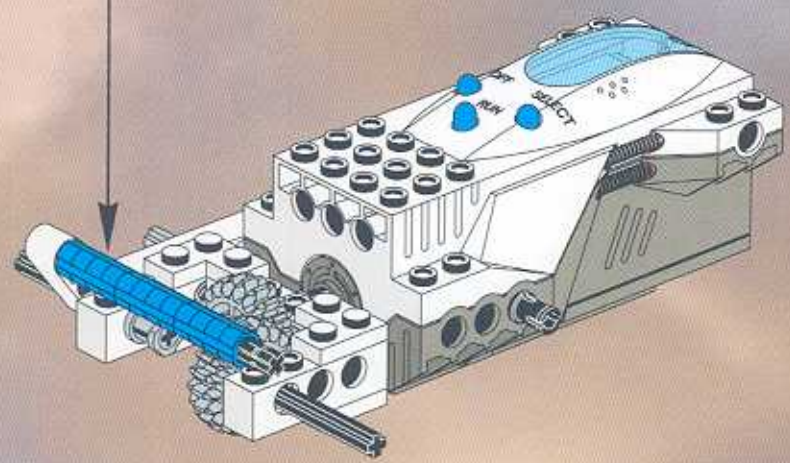
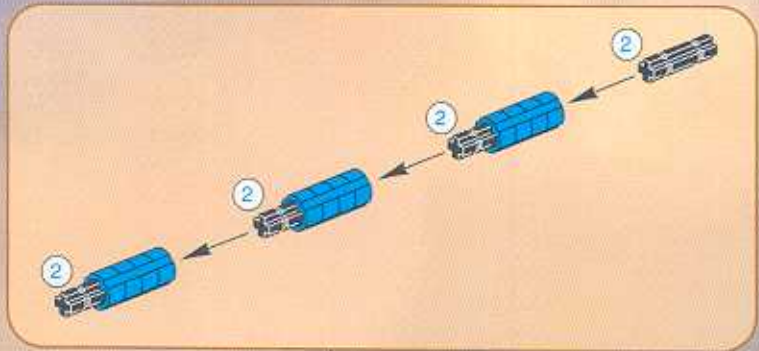


8

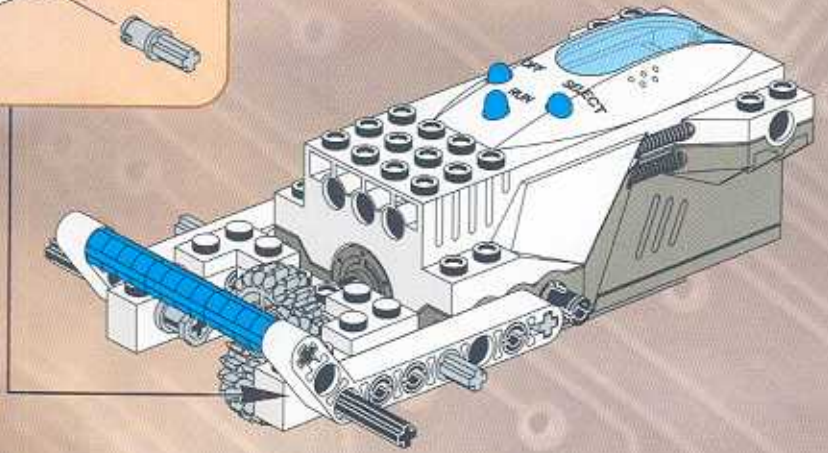
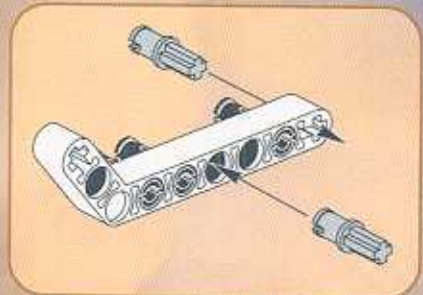
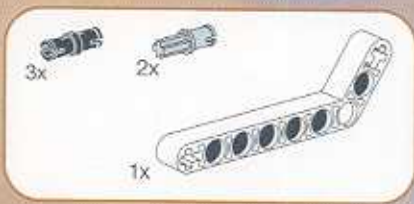


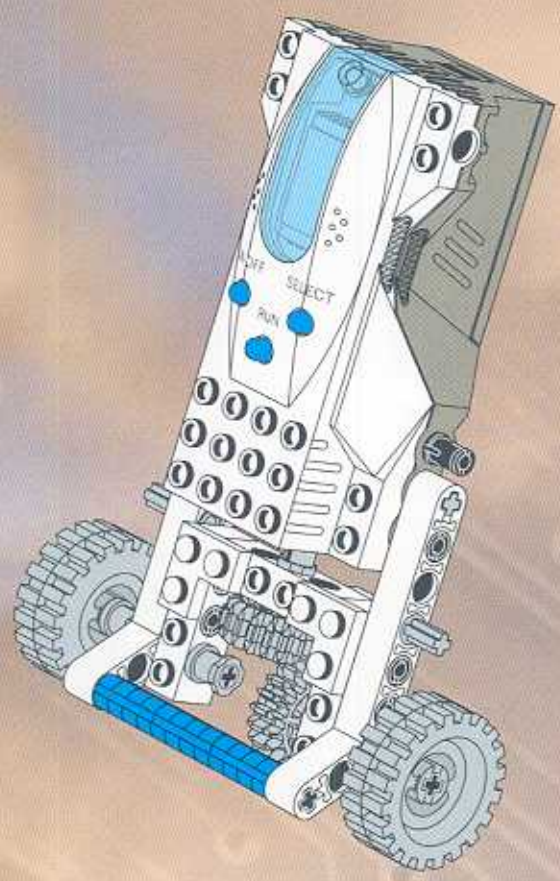
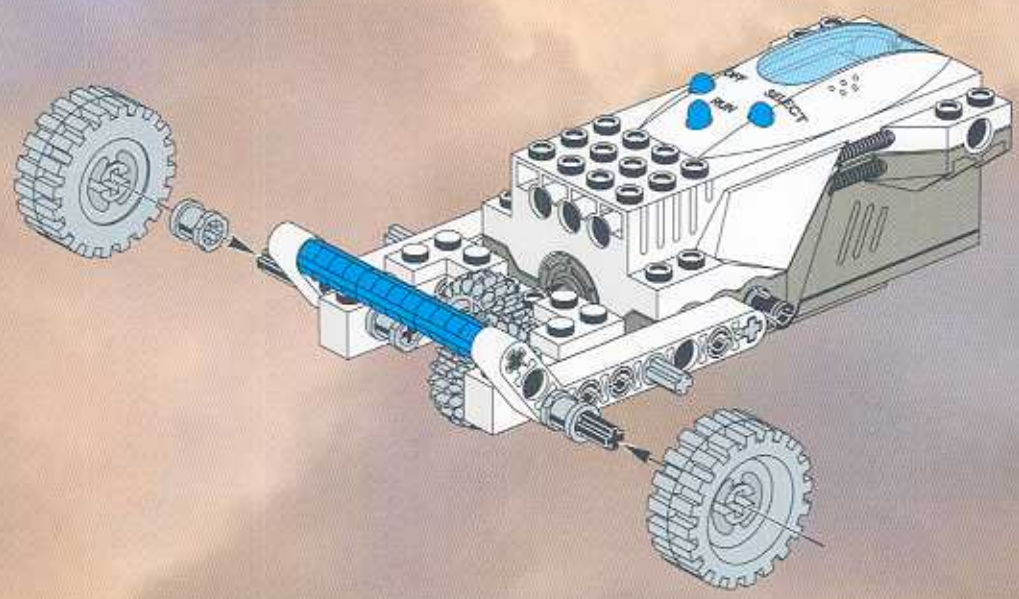


9



10

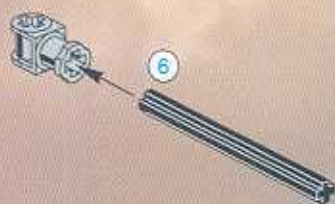




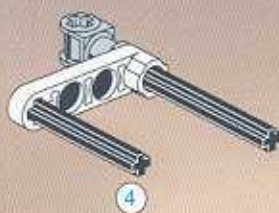
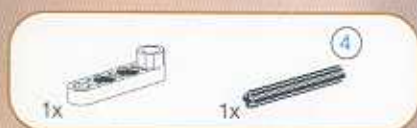




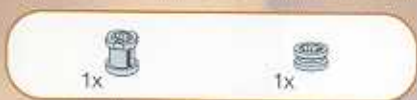
1



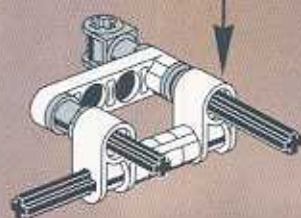
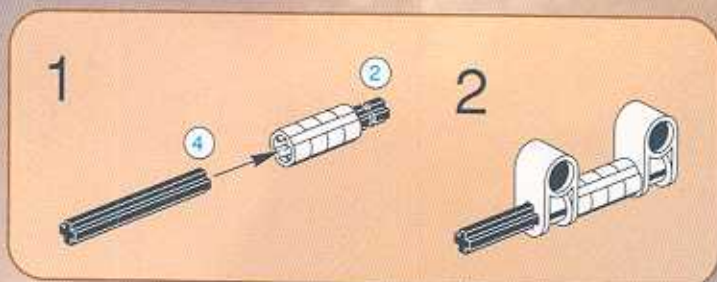
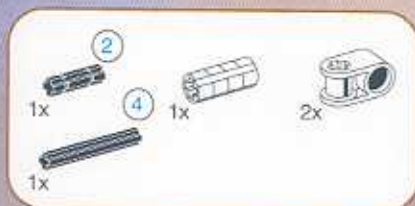
2



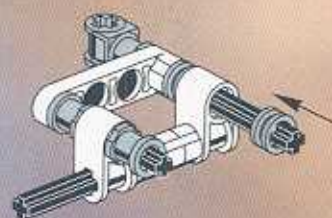
3



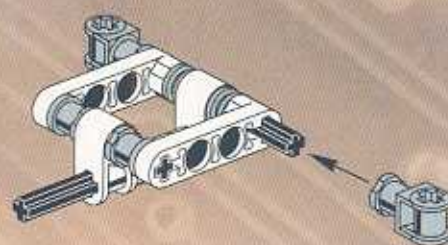
4



5

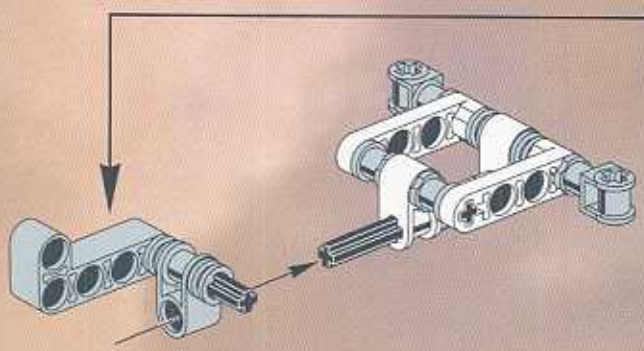
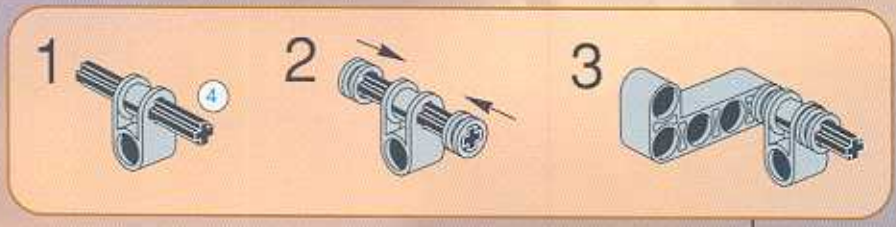
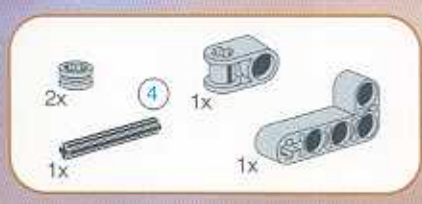


6

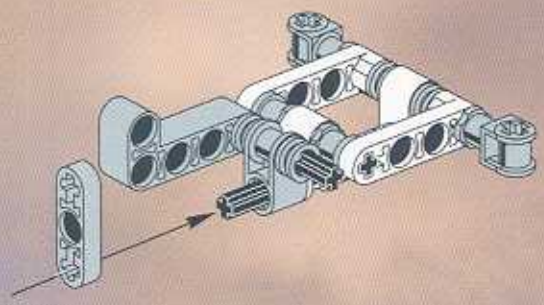




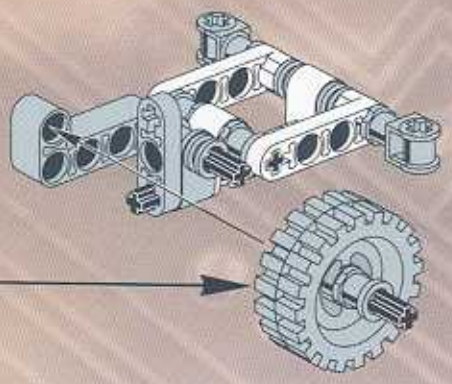
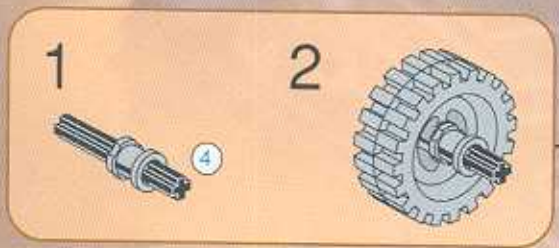
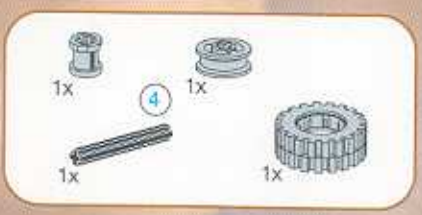
7



8

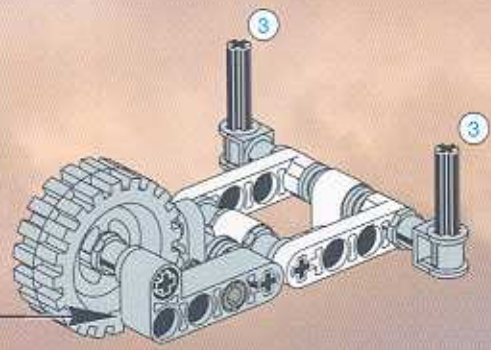
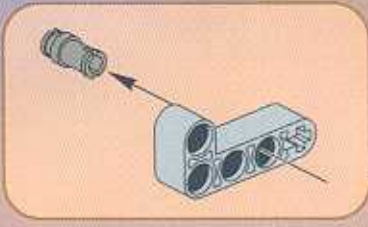
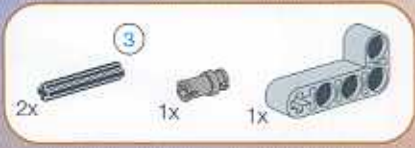


9

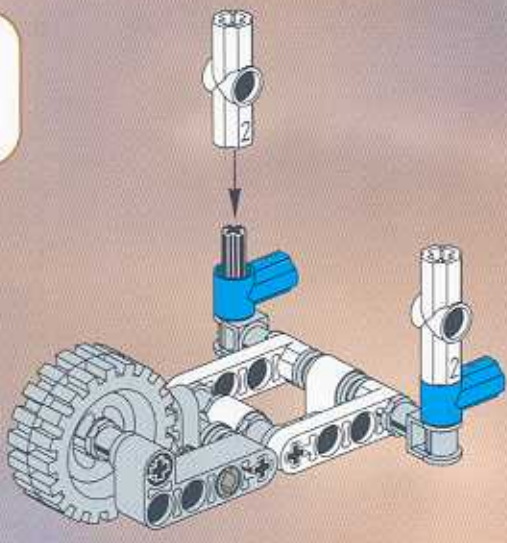




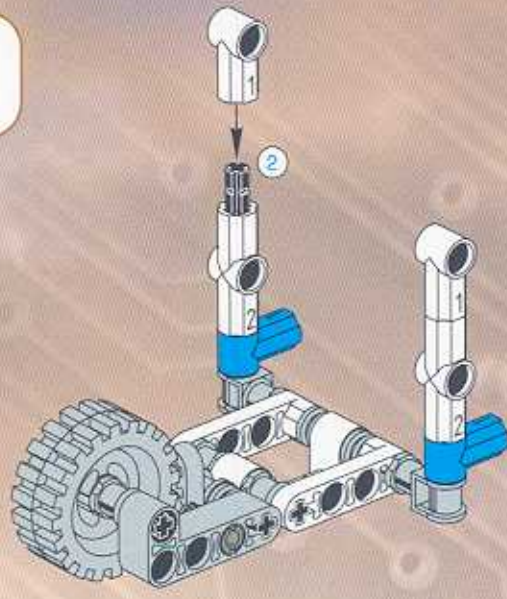
10



11

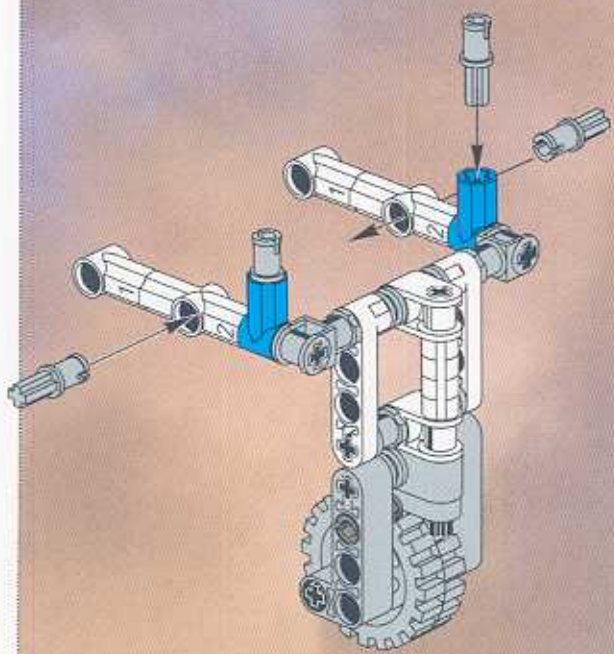


12

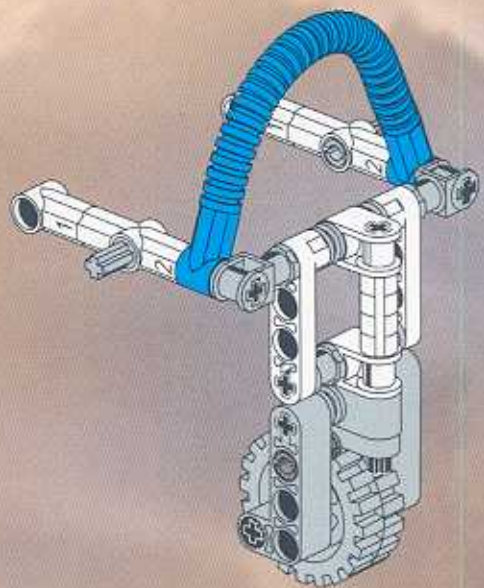




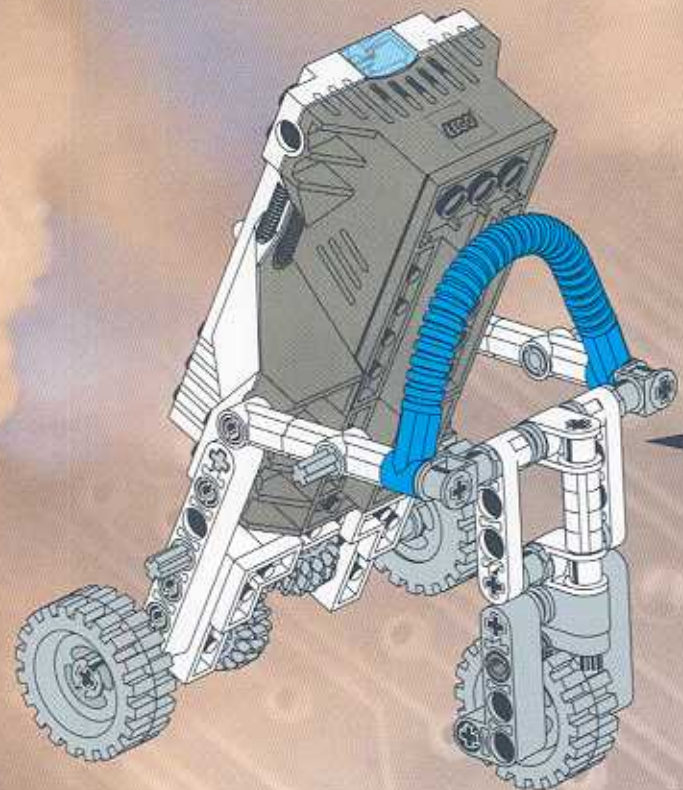
13



14

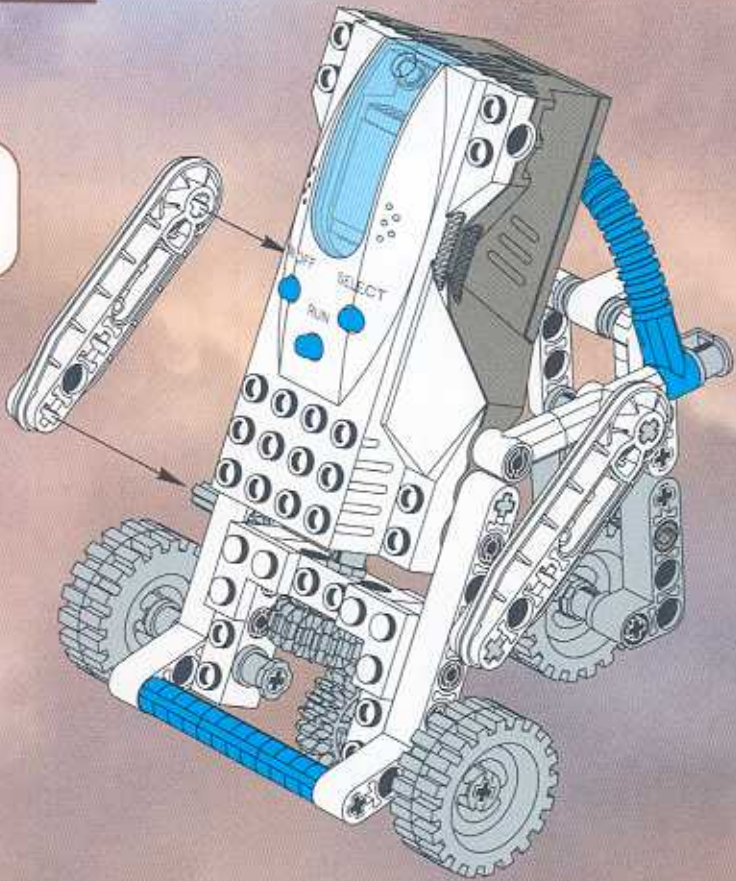


13

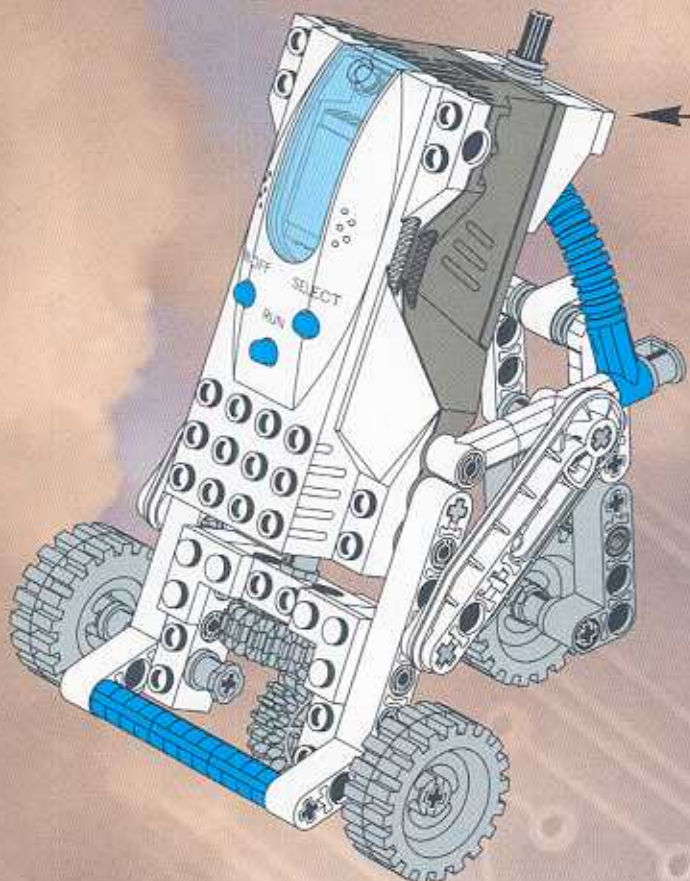
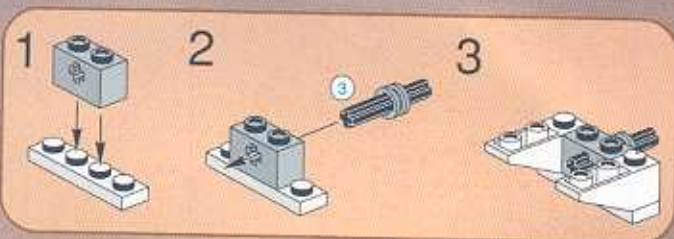
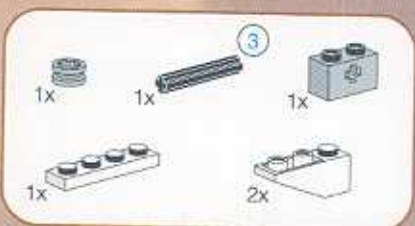


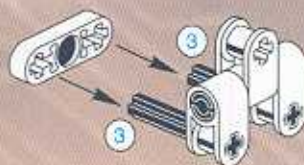
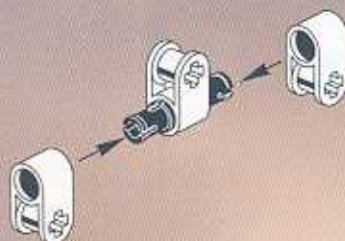
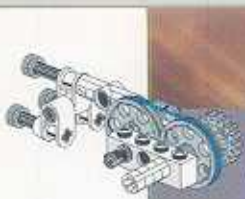


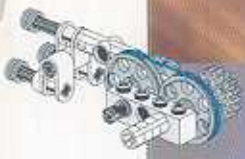
14



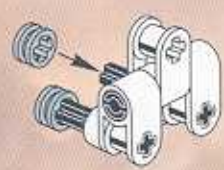
15



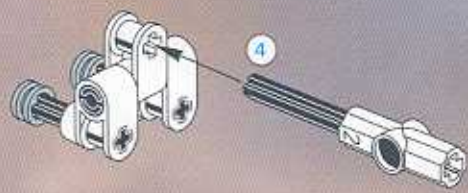
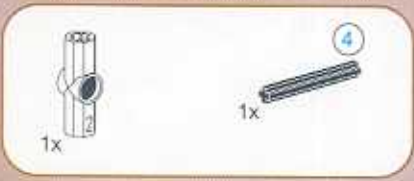




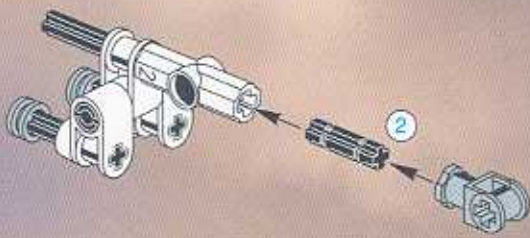
5



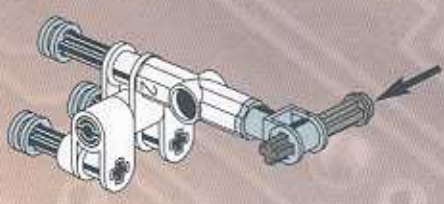
6



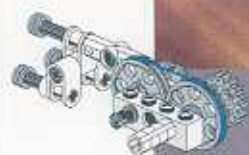
7



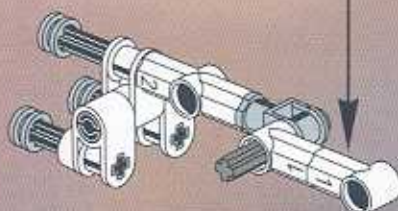
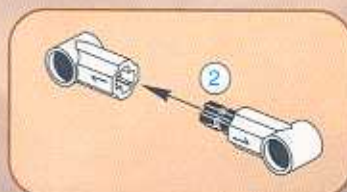
8



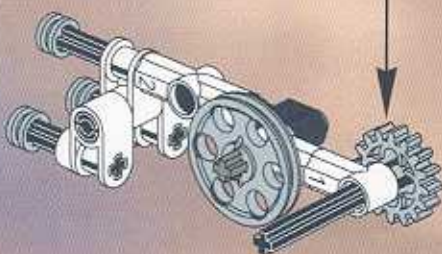
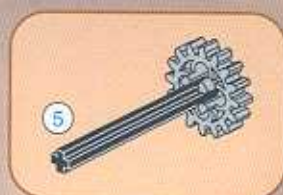
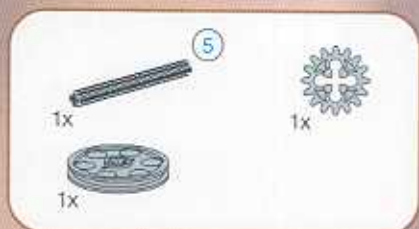




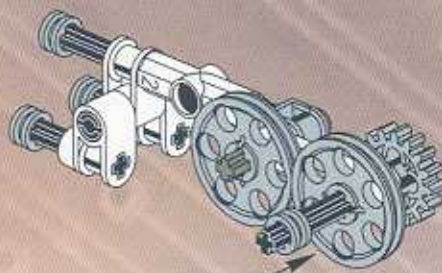
8

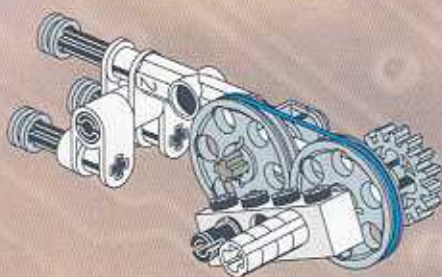
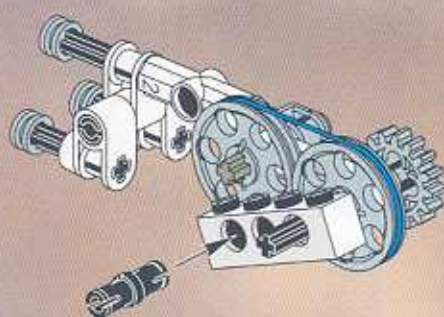
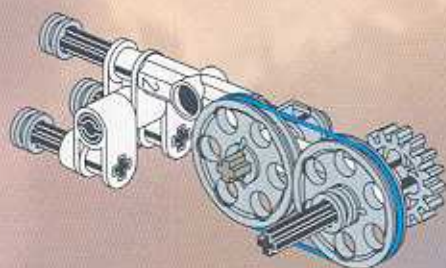


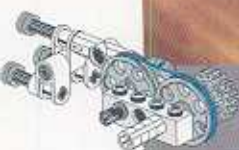
9



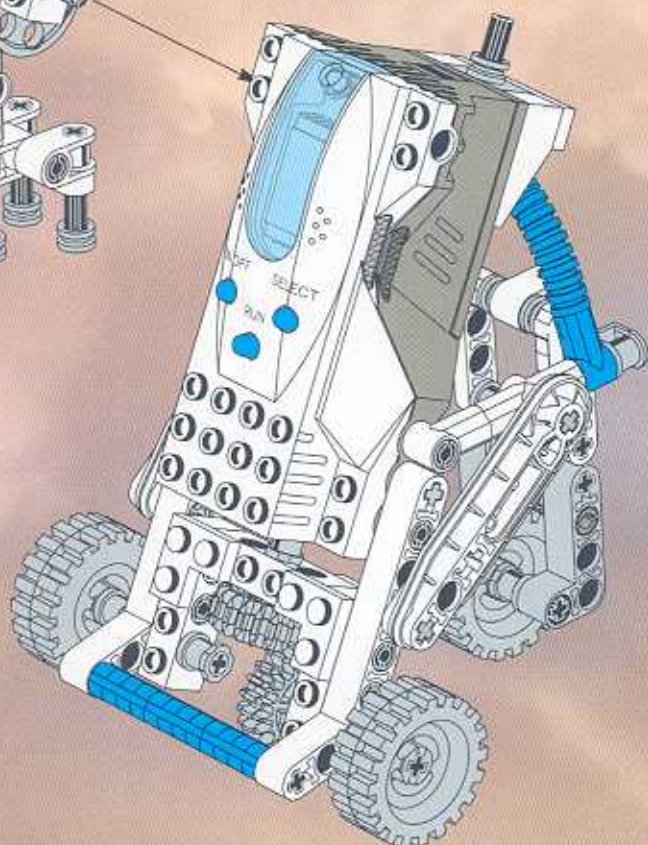
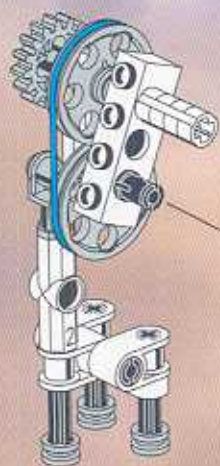
10





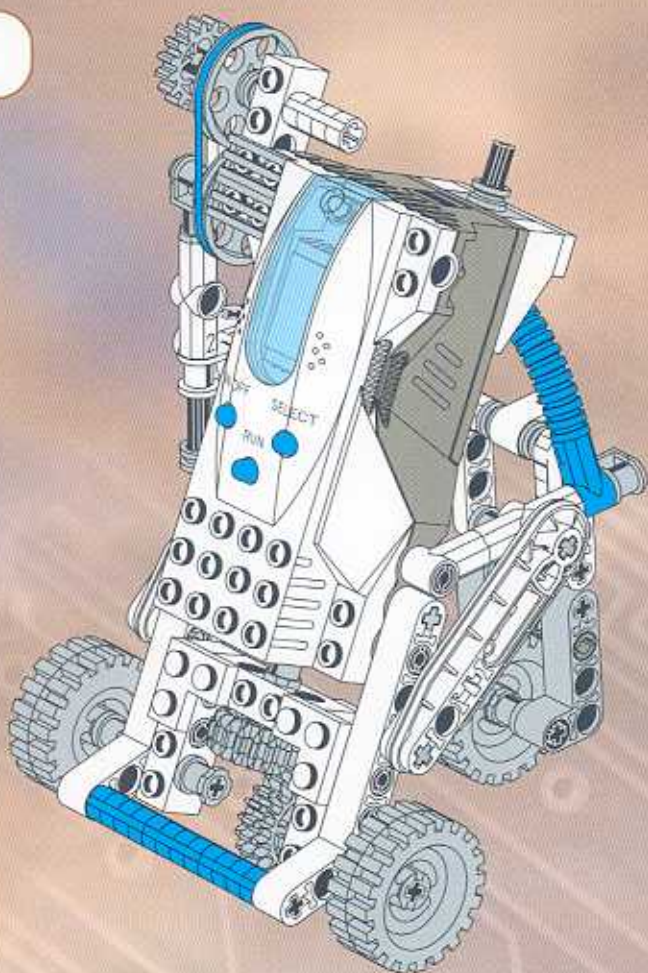


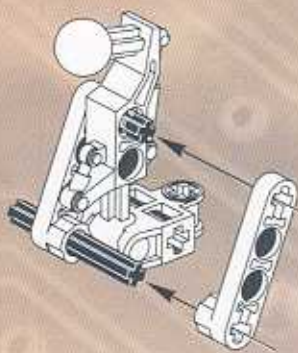
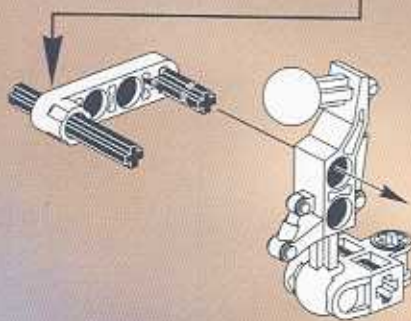
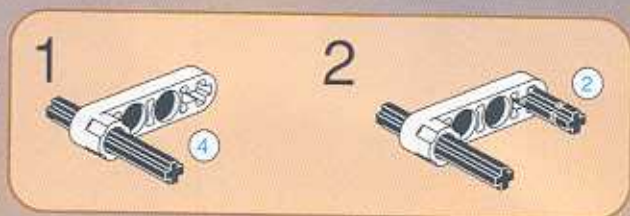
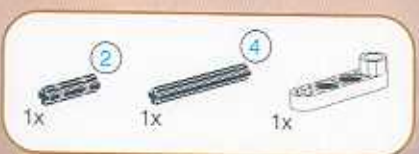
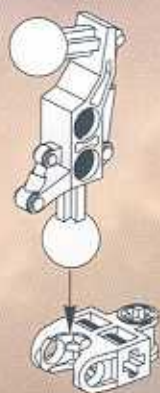
16



17

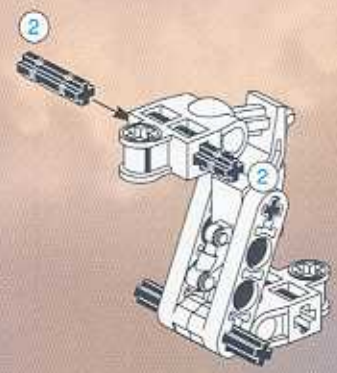
2x



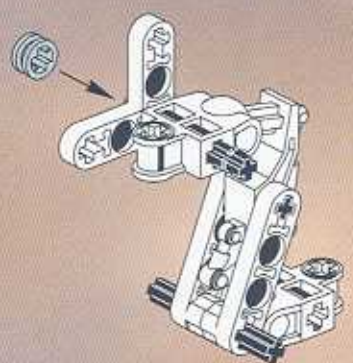




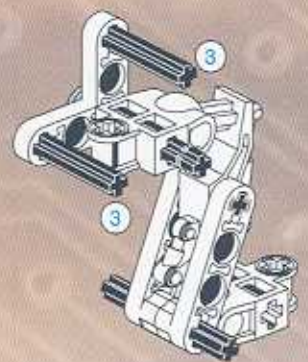
4

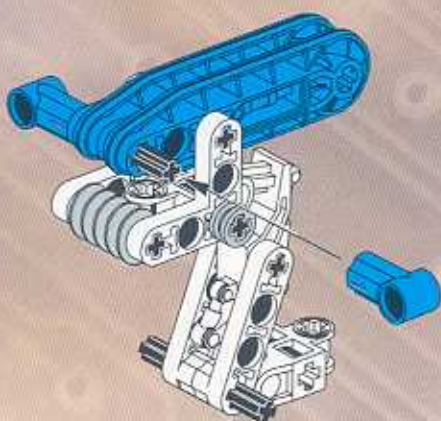
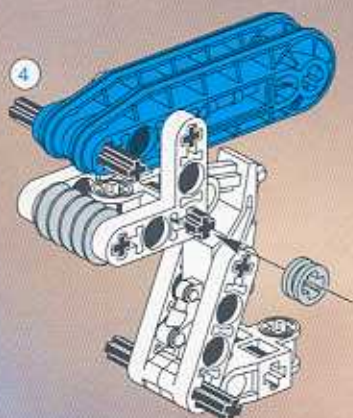
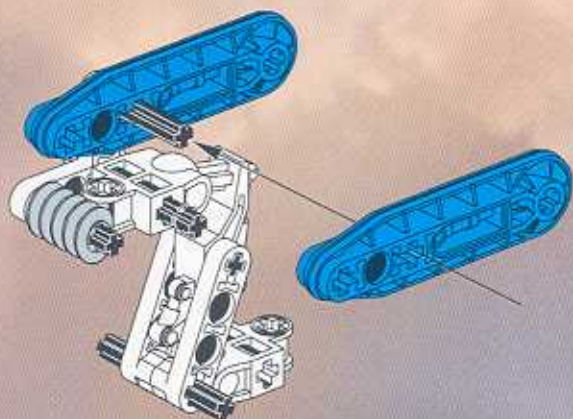


5



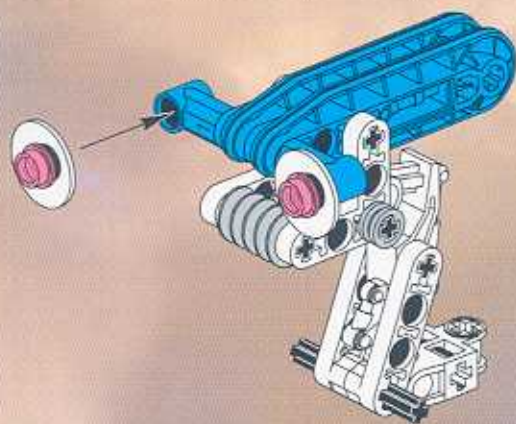
6



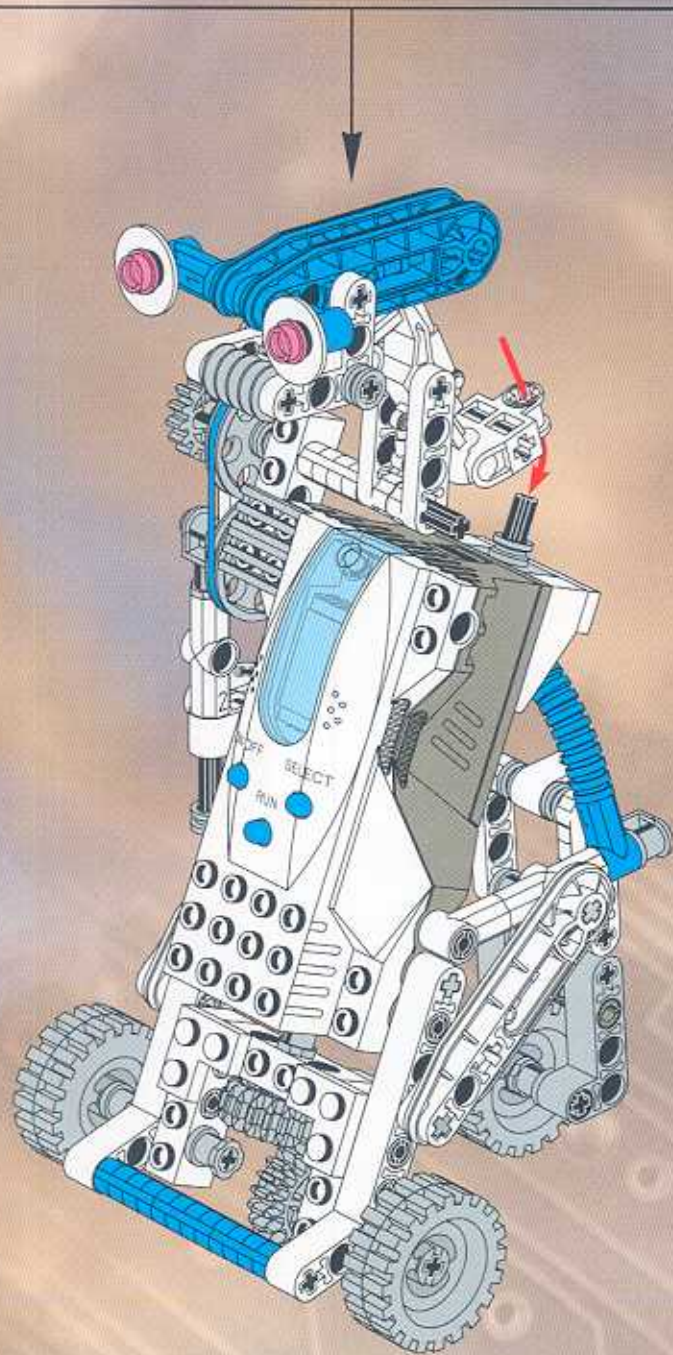




10



11





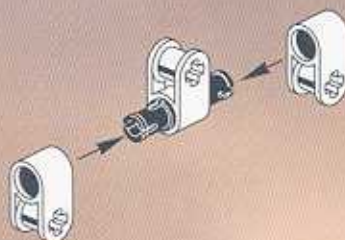
1x



1x



2x

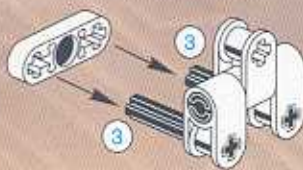


1x

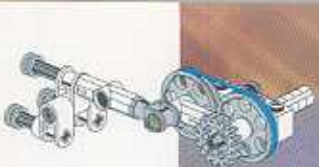


2x

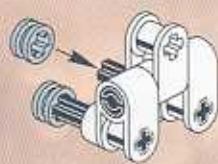
3



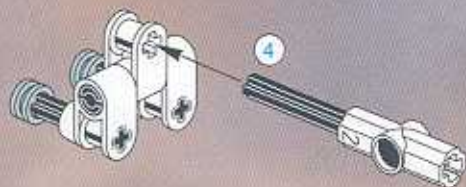




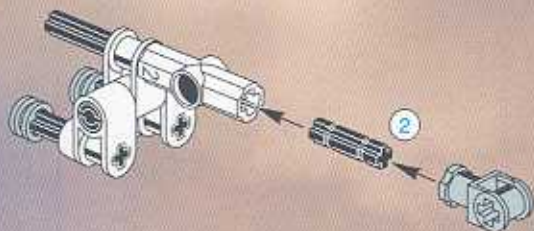
4



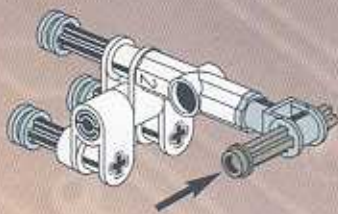
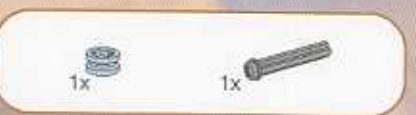
5



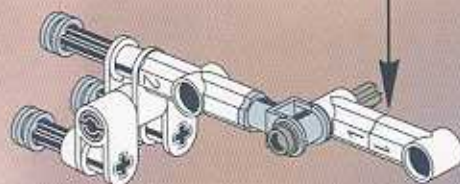
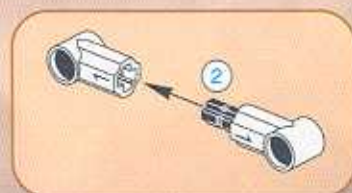
6



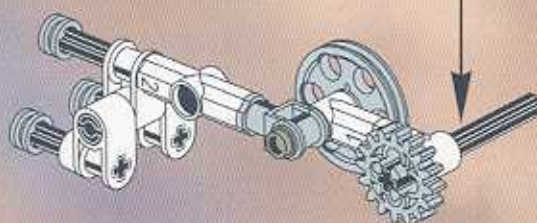
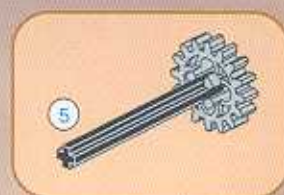
7



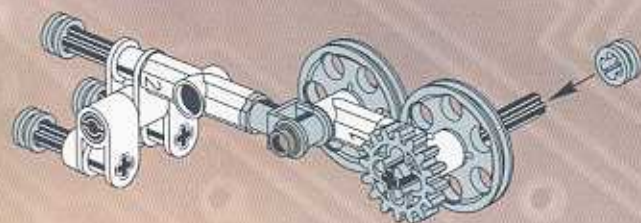
8



9



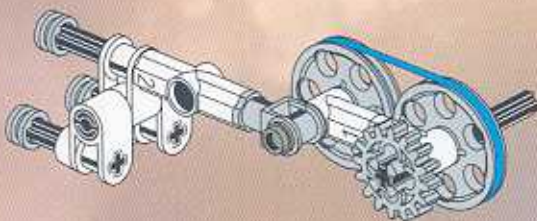
10



11



1x



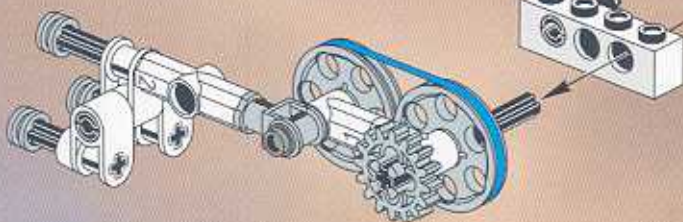
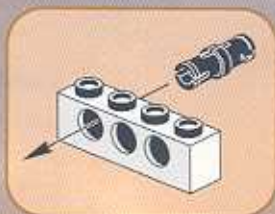
12



1x



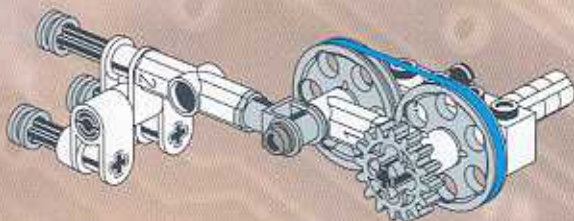
1x



13

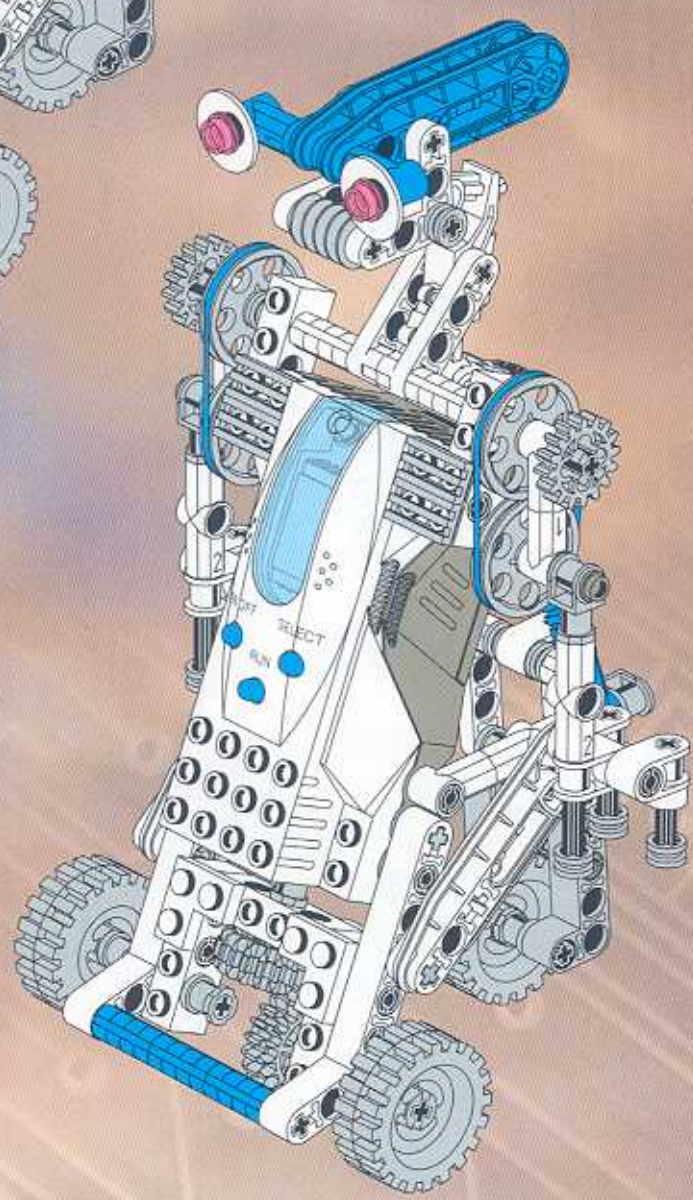
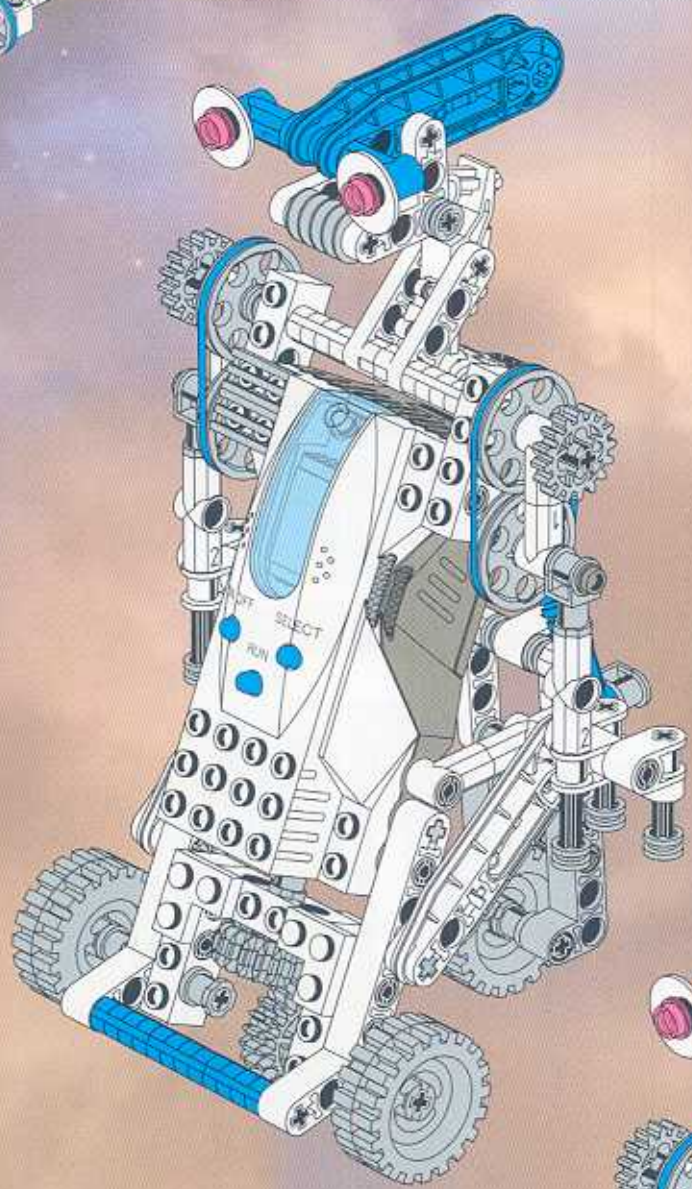


1x





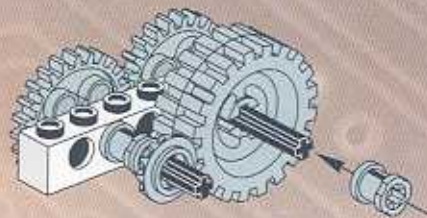
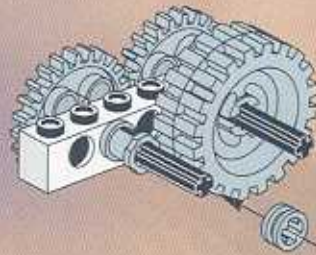
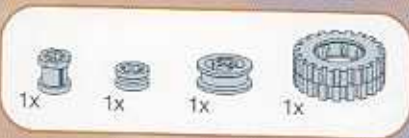
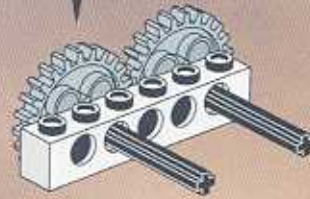
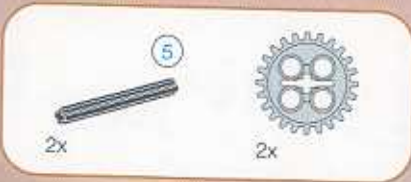
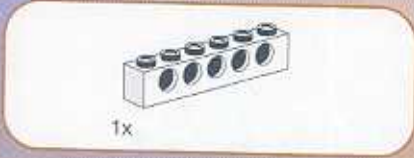
19



20

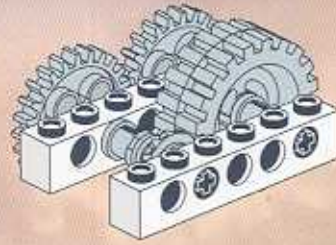




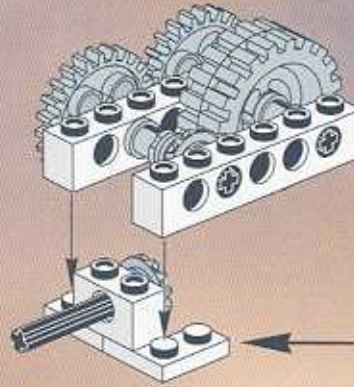
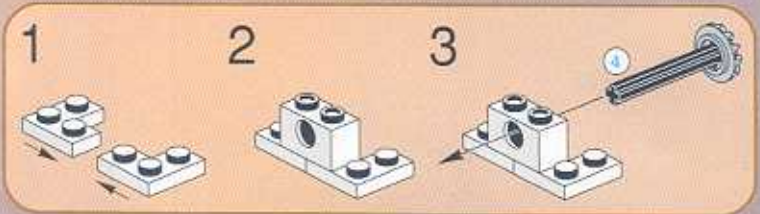




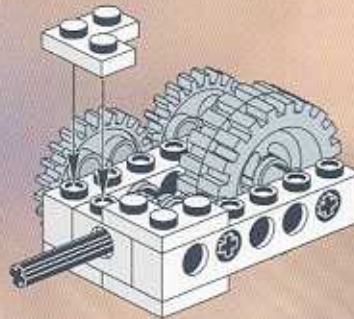
5



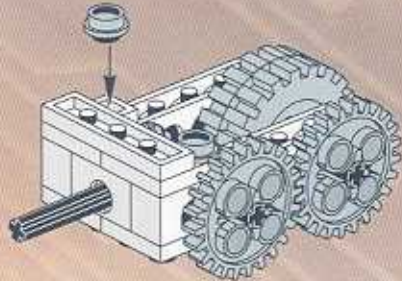
6



7

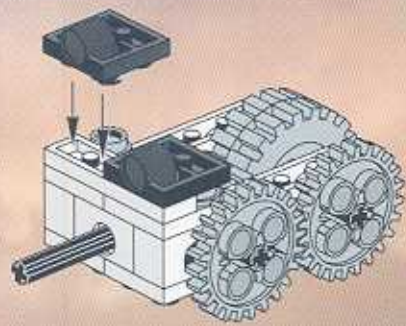


8

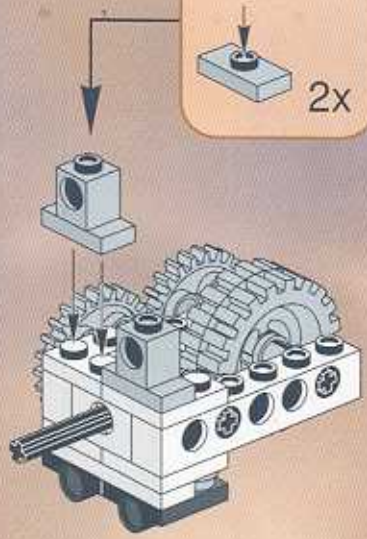
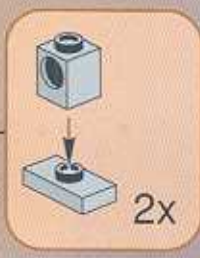




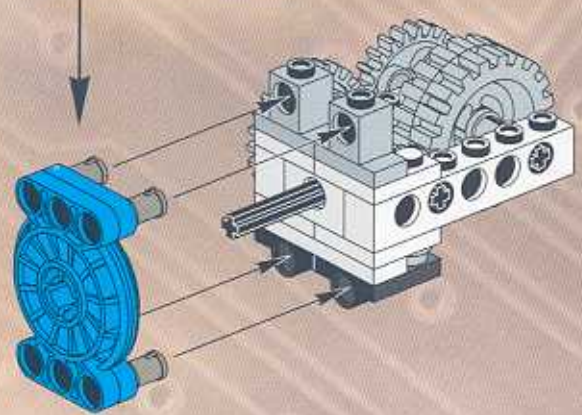
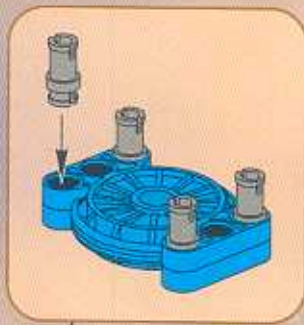
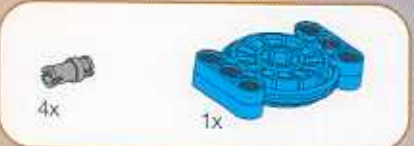
9



10



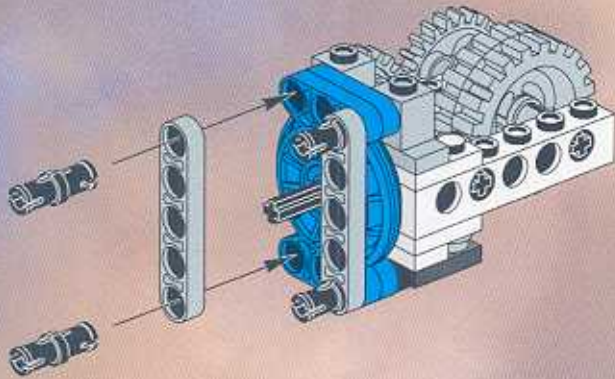
11



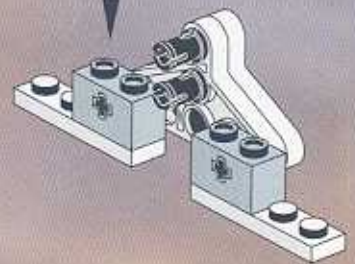
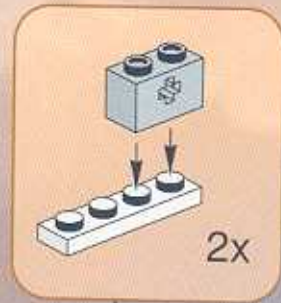




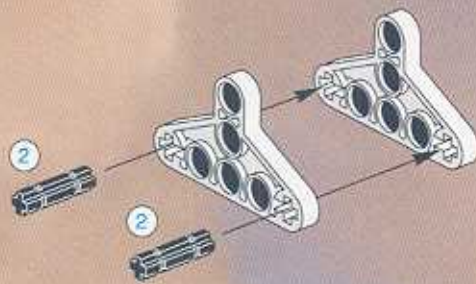
12



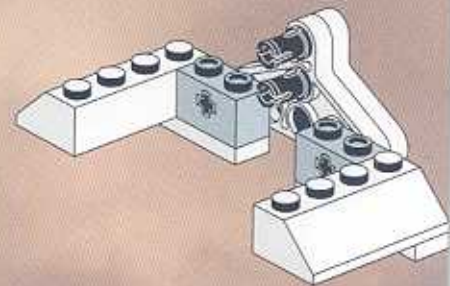
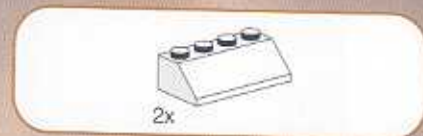
3



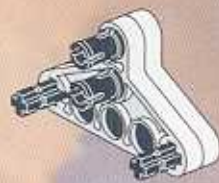
1



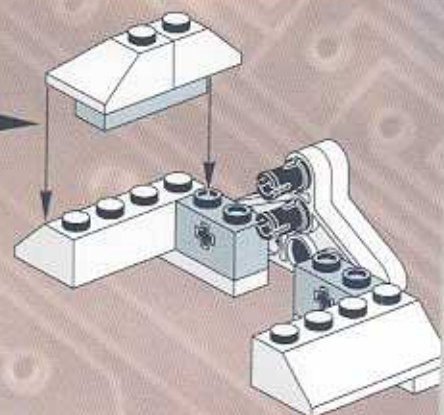
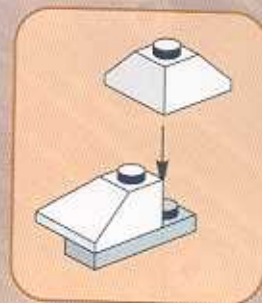
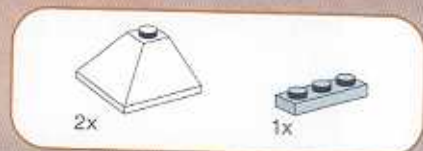
4



2

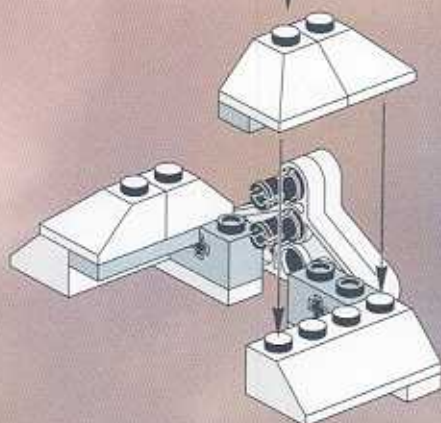
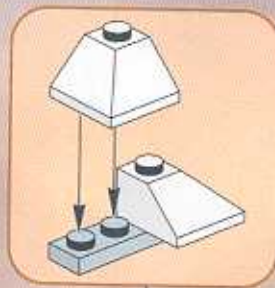
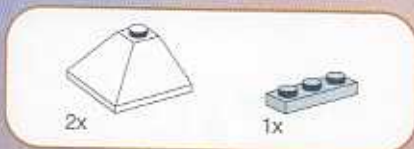


5

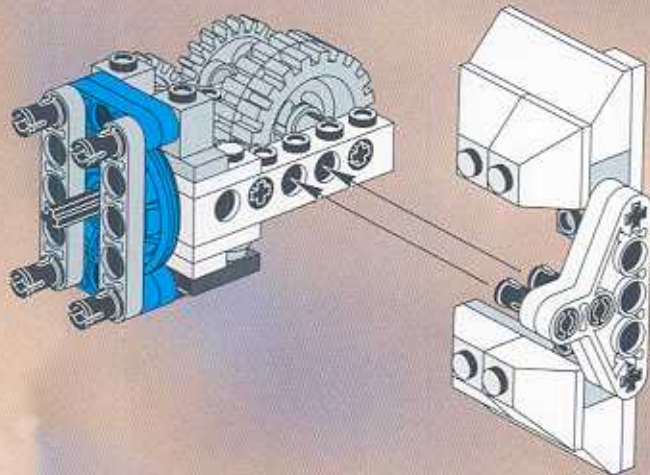




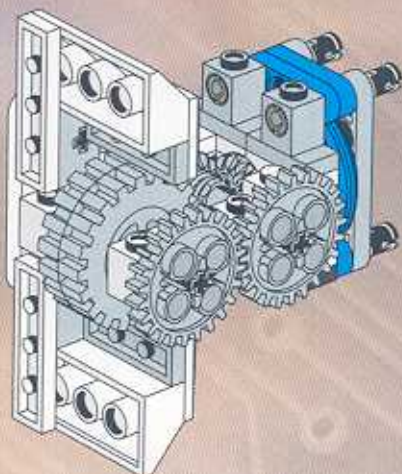
19



13

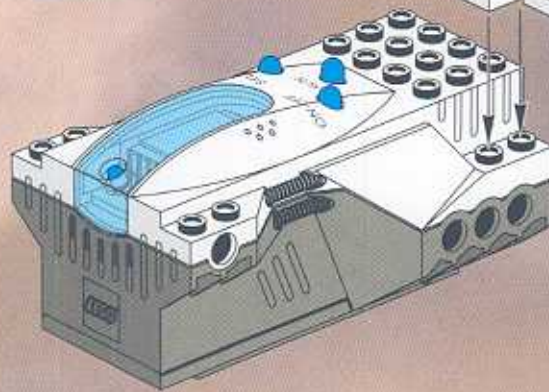
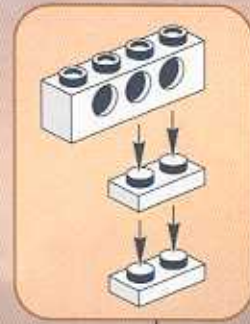
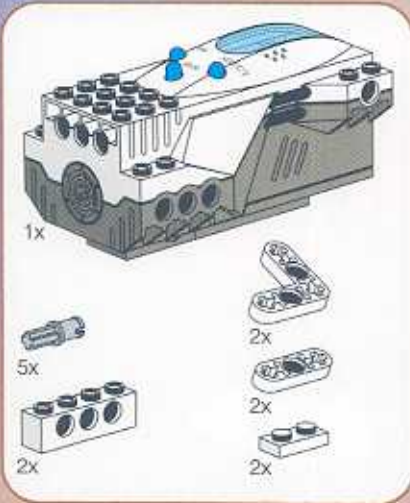


14

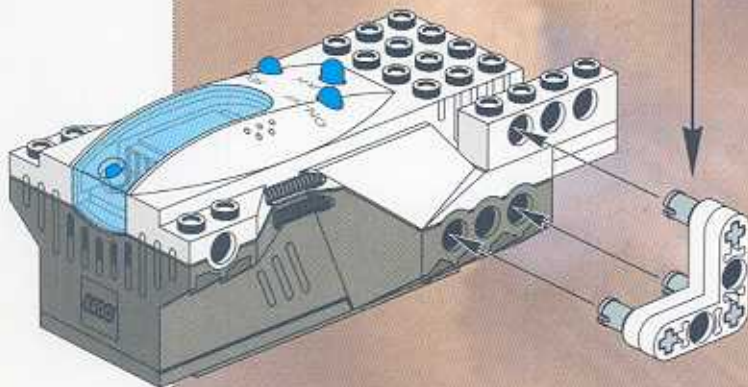
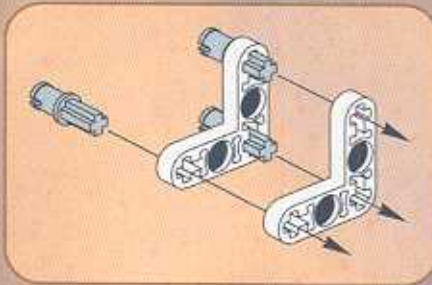




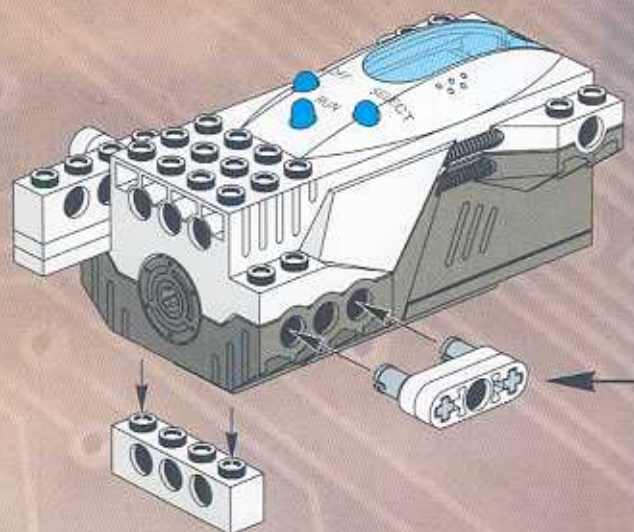
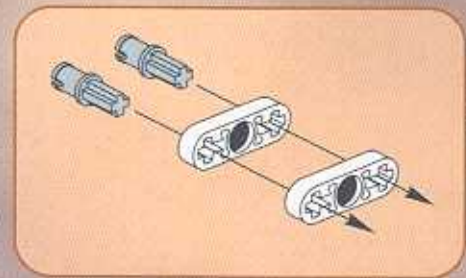
1



2

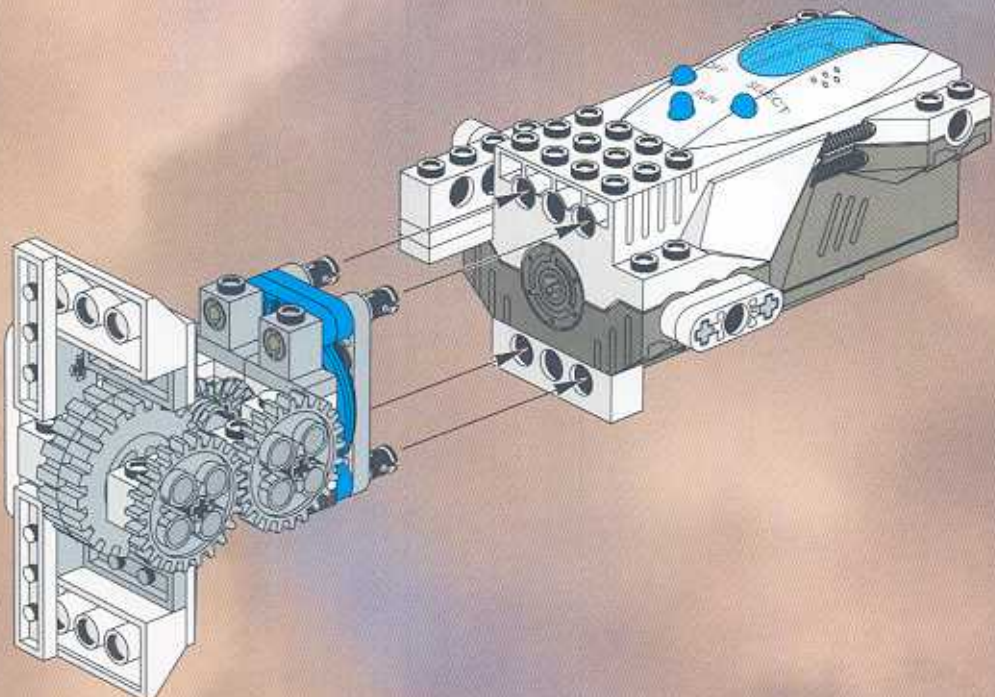


3





15



INTRODUCTION

GETTING STARTED

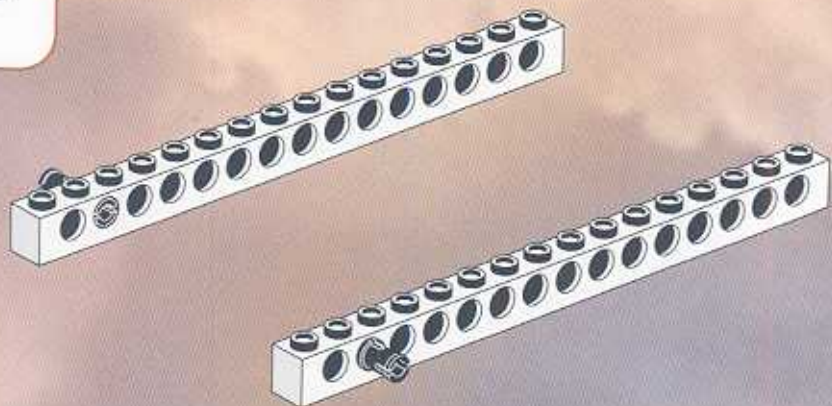
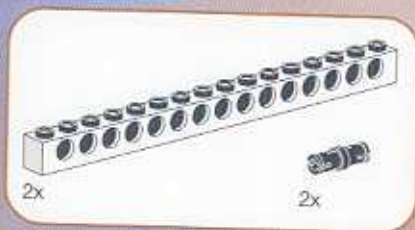
**BUILDING INSTRUCTIONS**

SPECIAL FEATURES

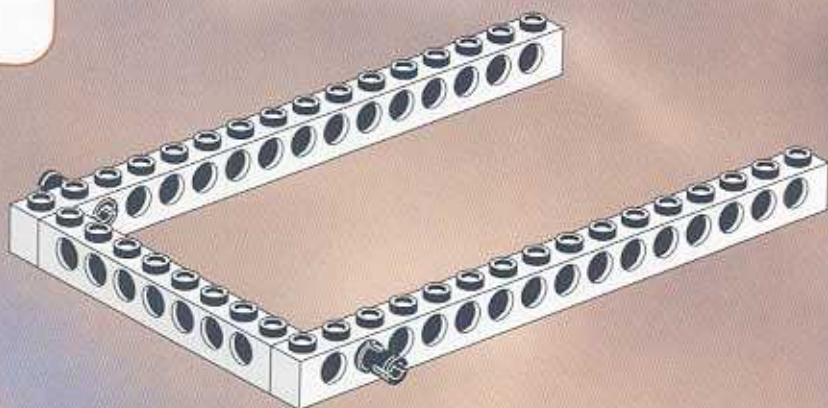
TECHNICAL STUFF



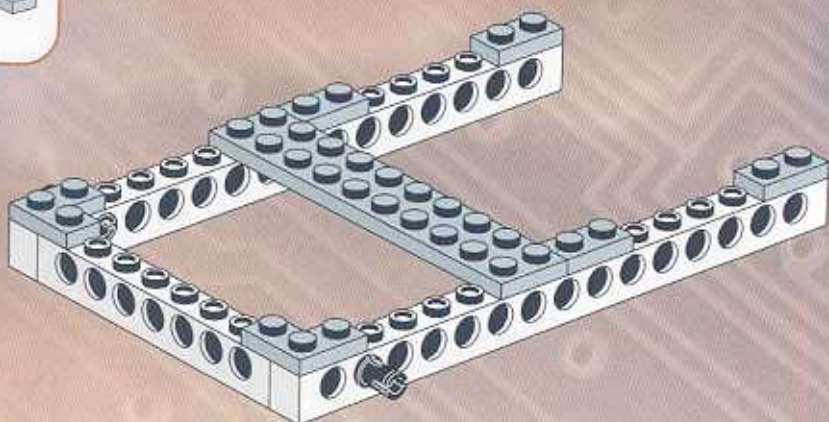
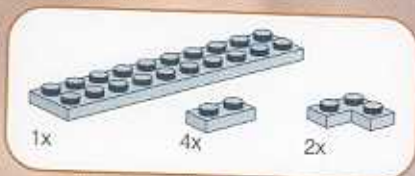
1



2

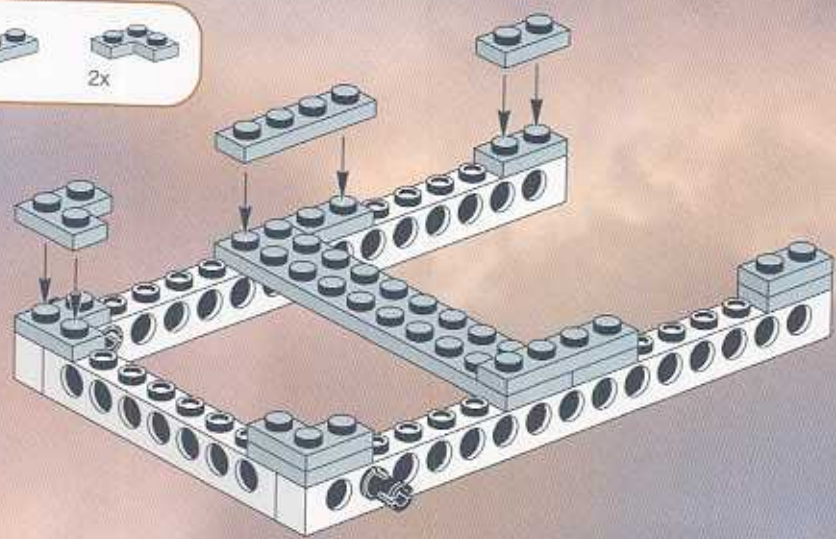


3

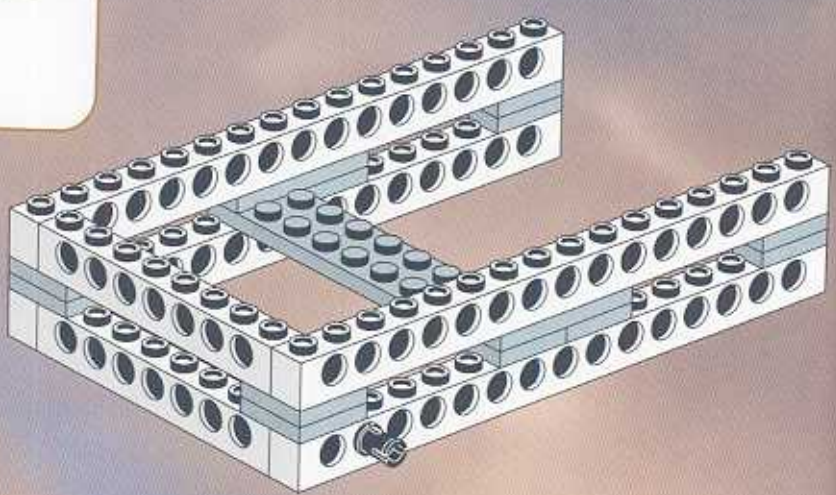
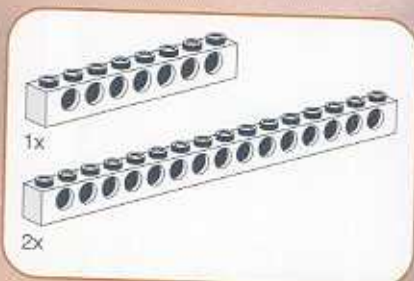




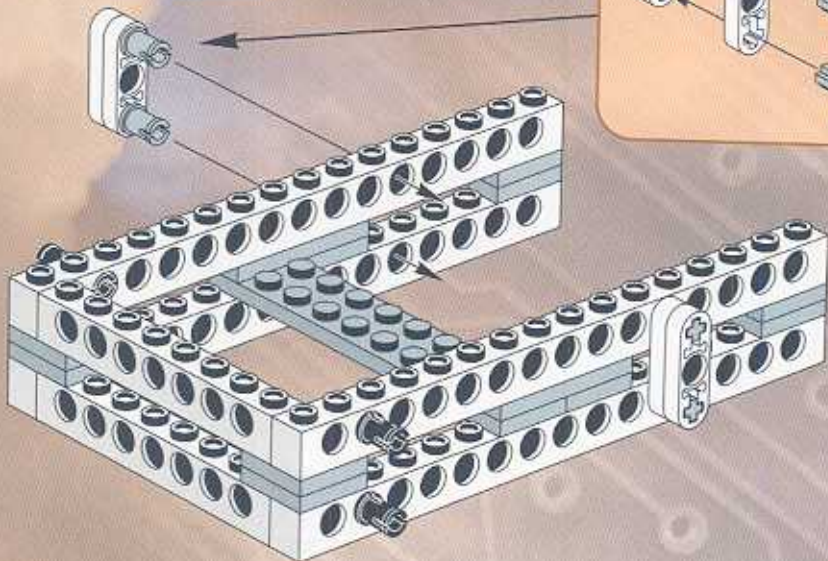
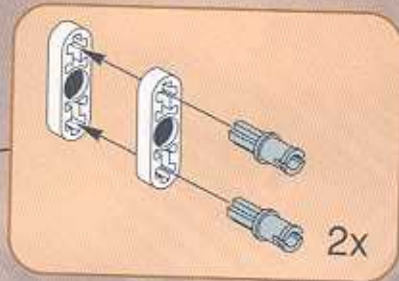
4



5

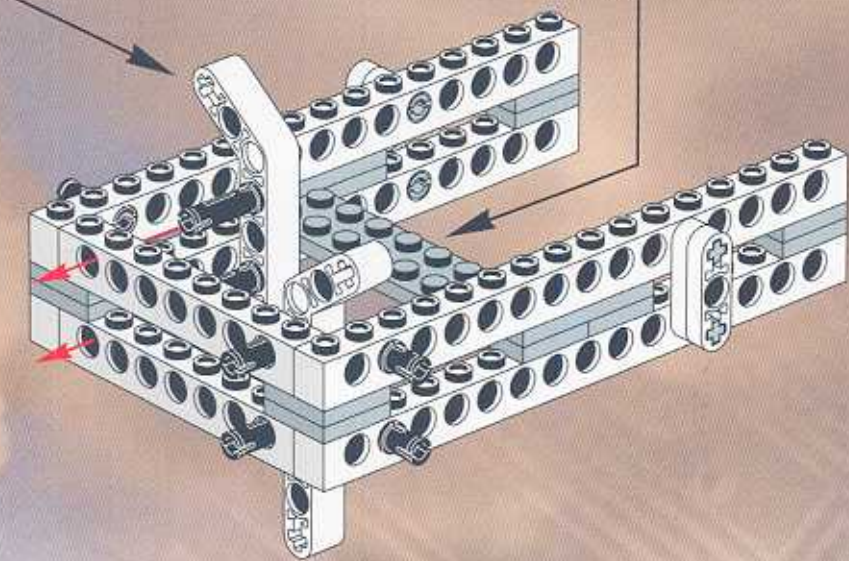
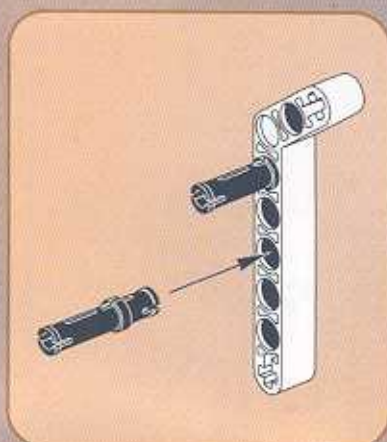
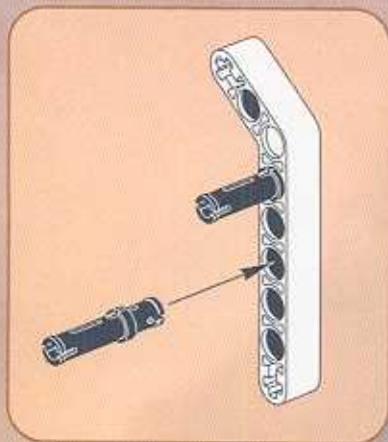
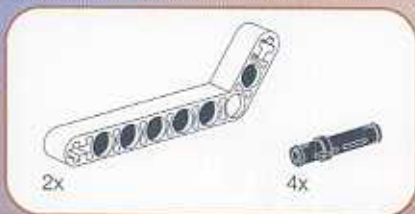


6



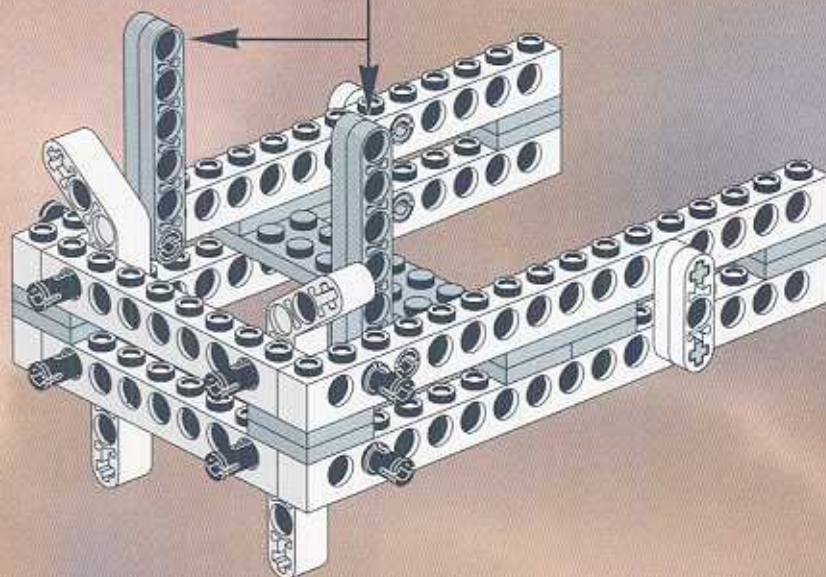
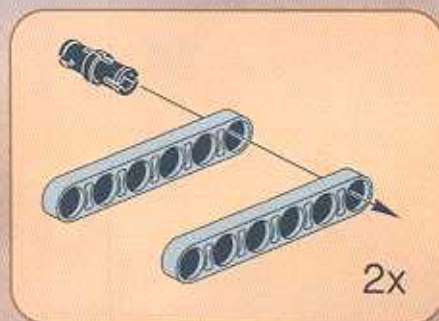


7

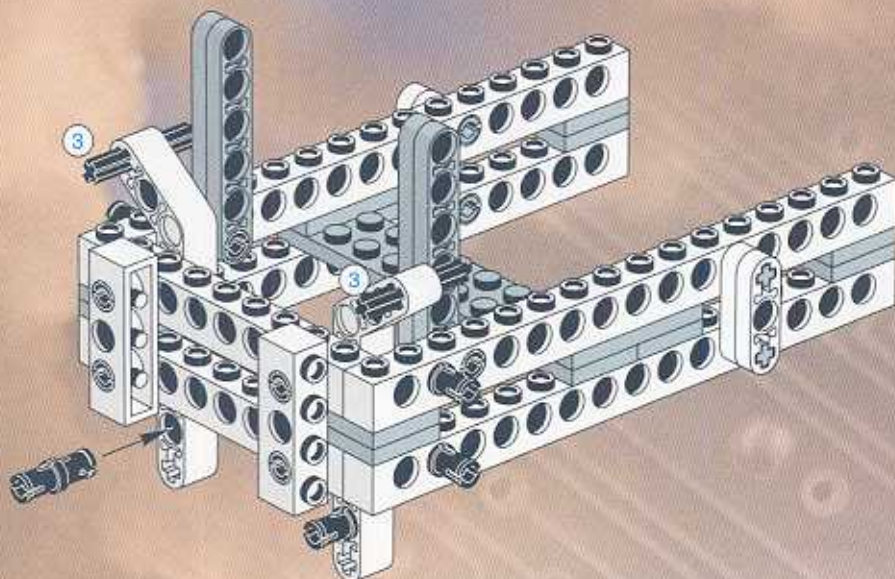




8



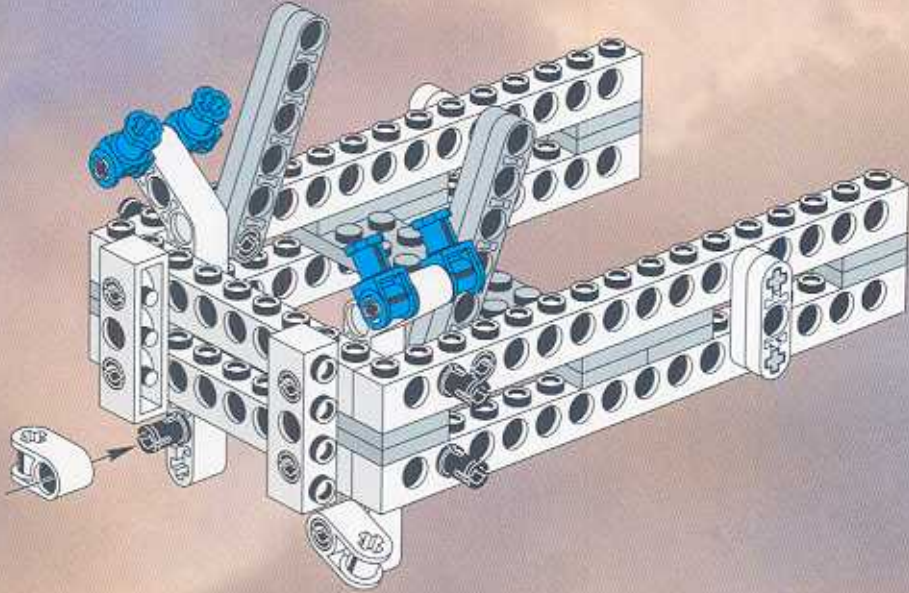
9



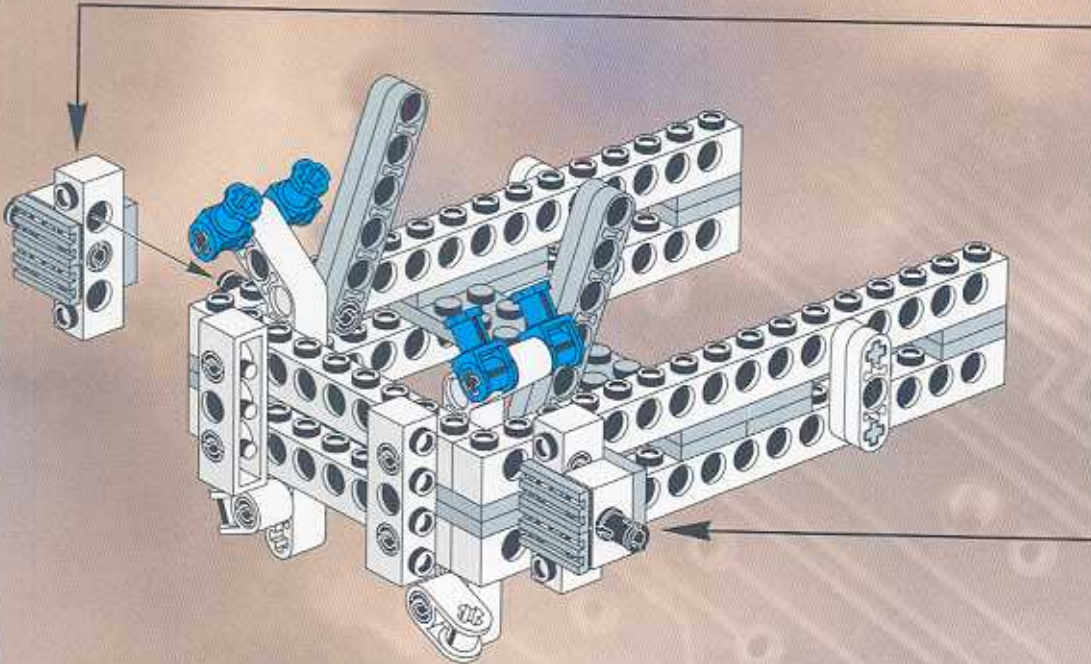
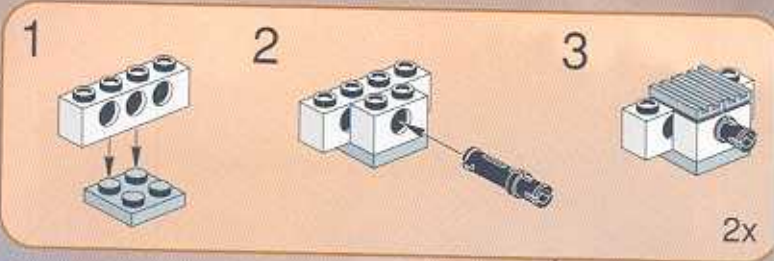
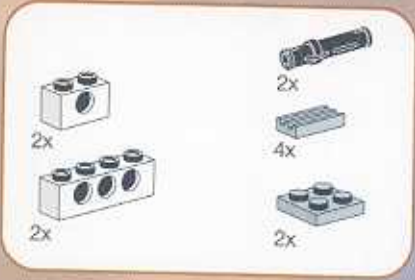




10

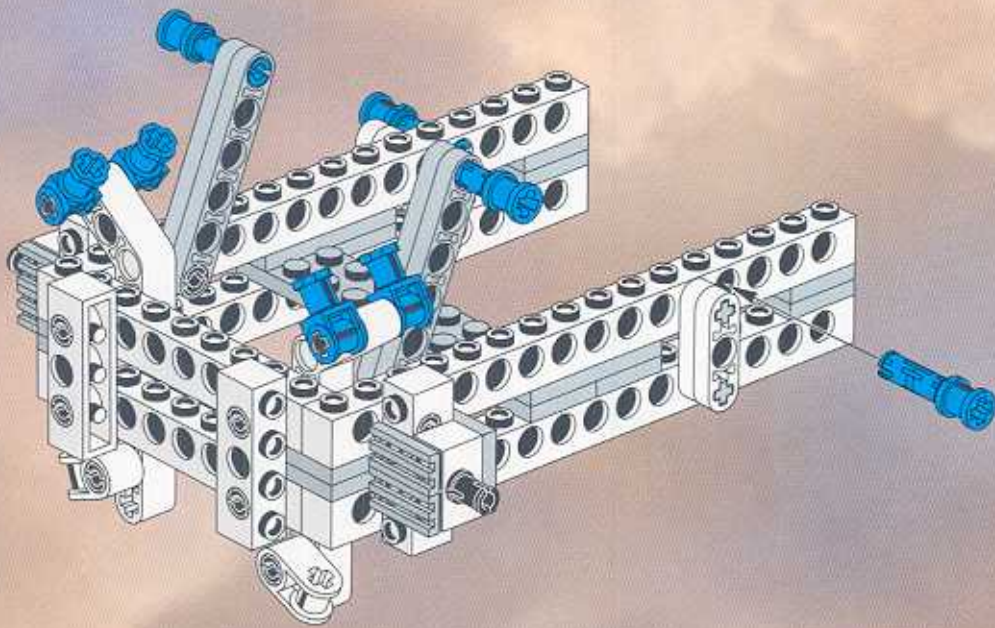


11

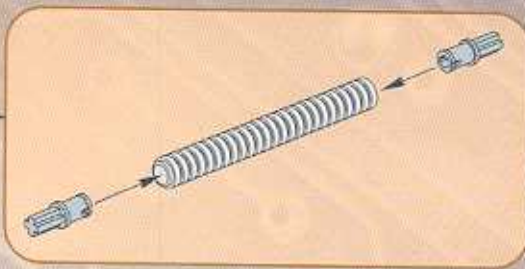
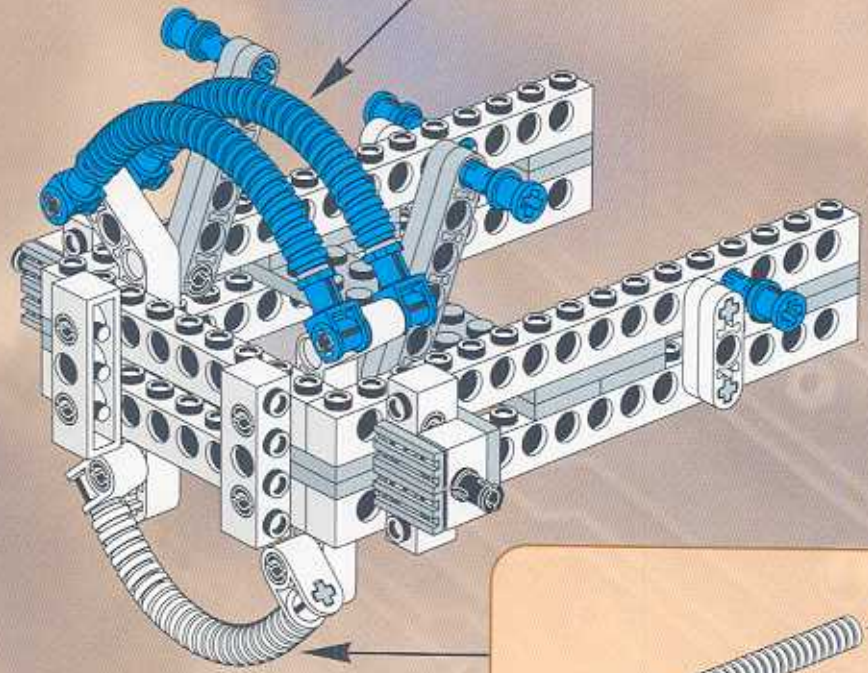
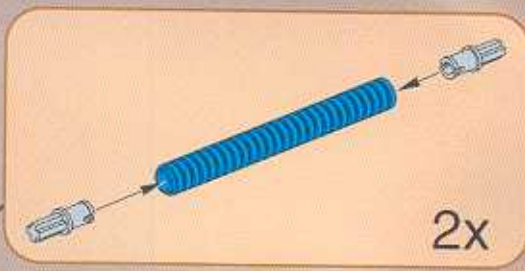
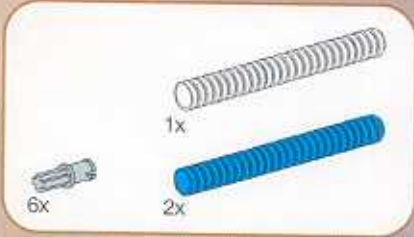




12

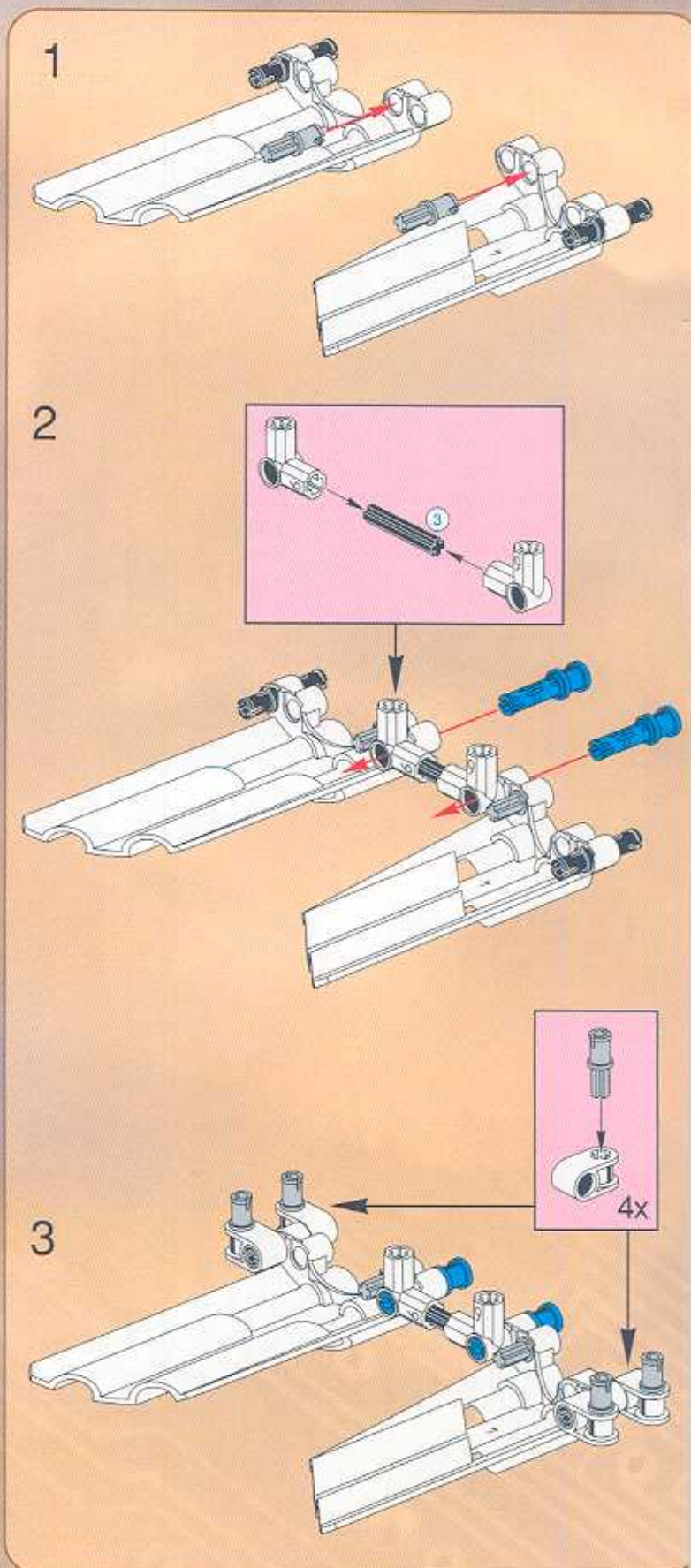
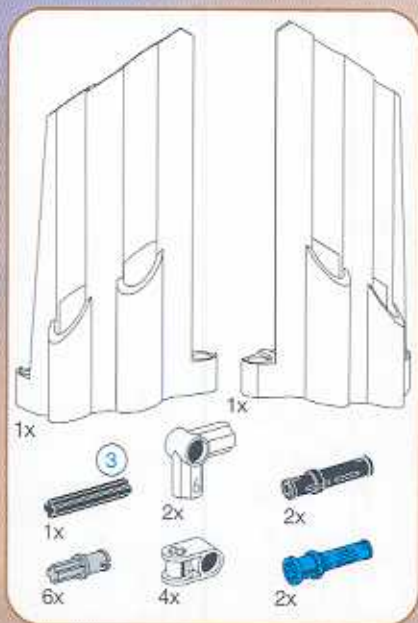


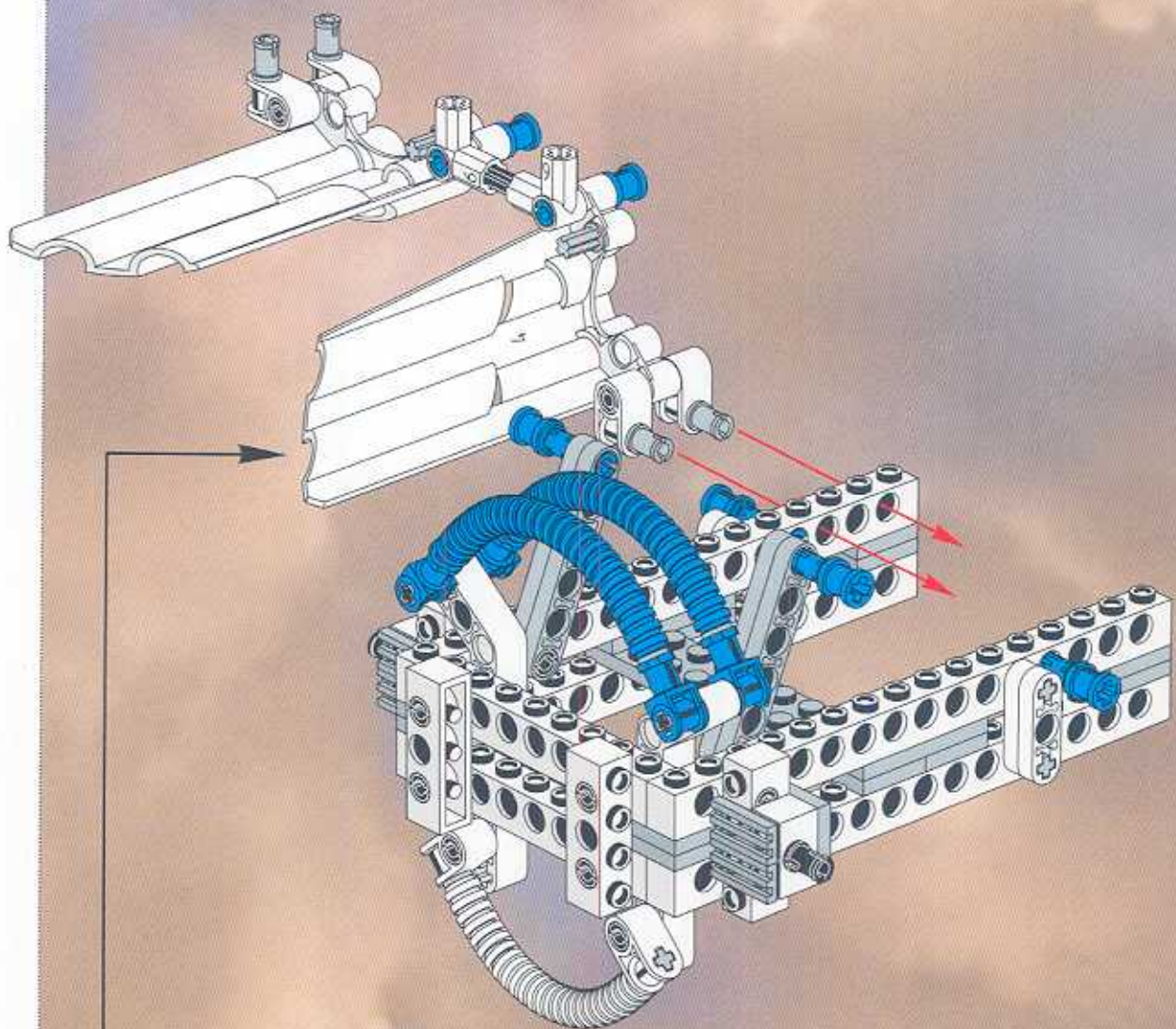
13





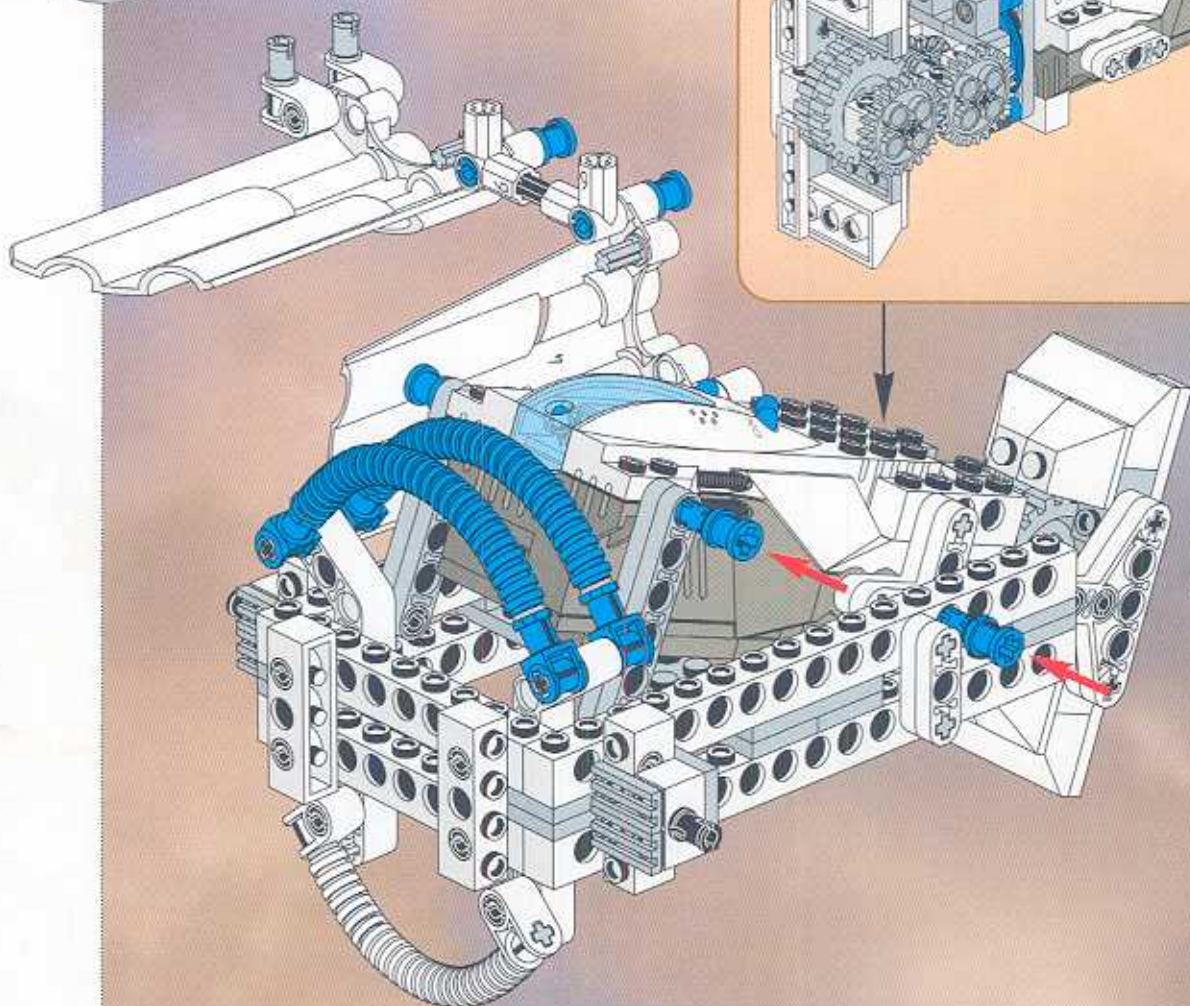
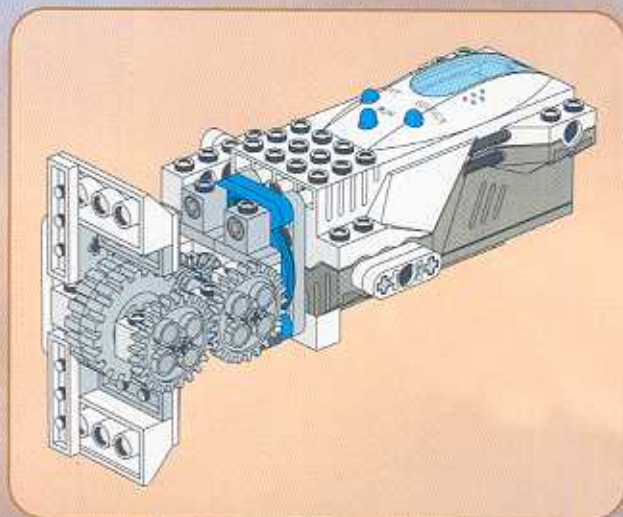
14



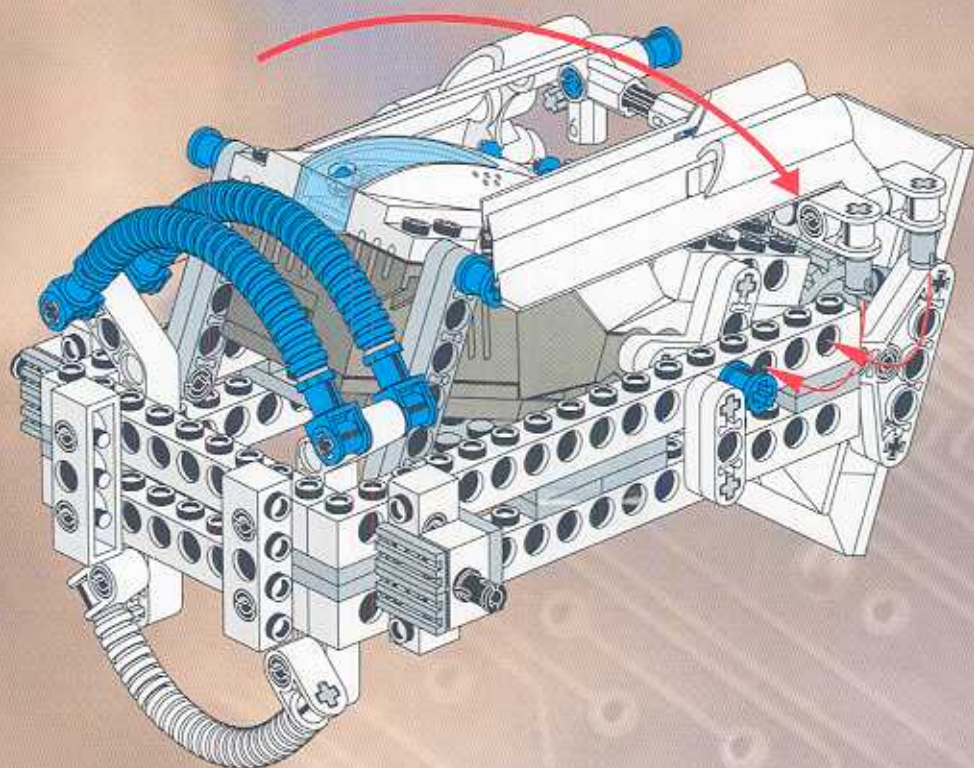


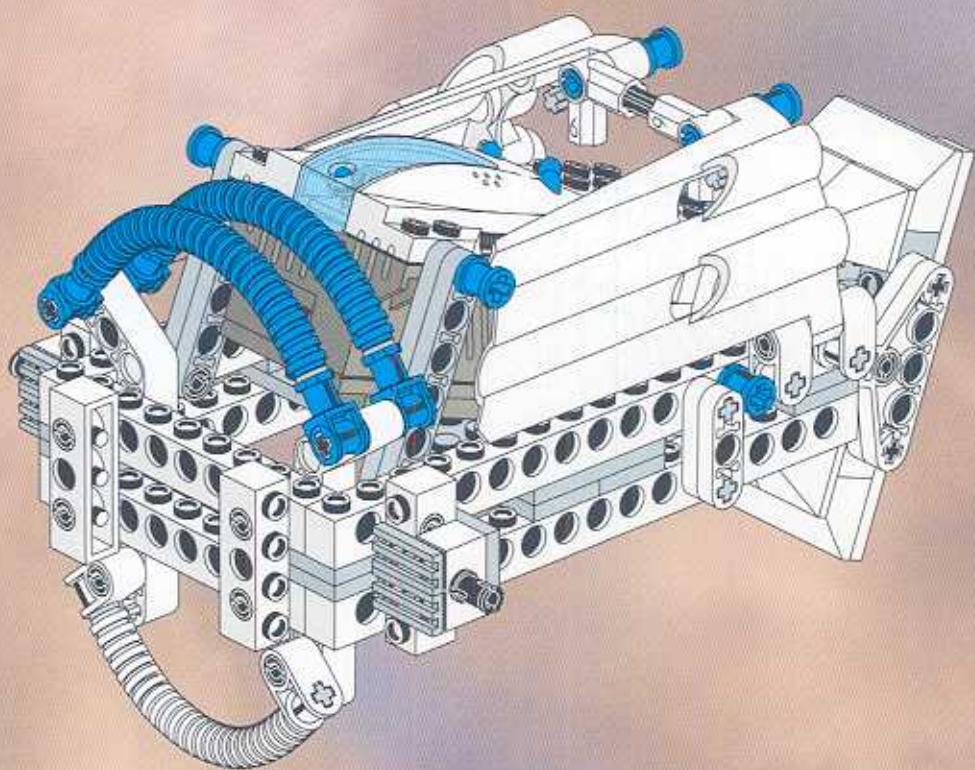


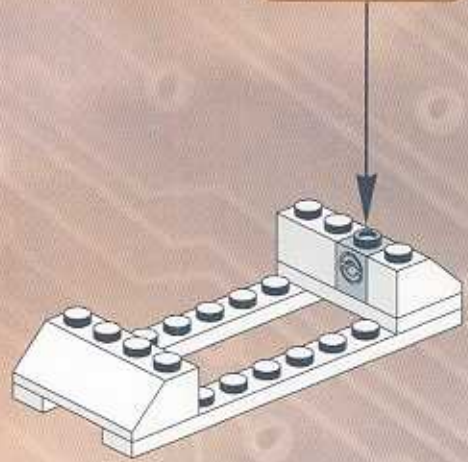
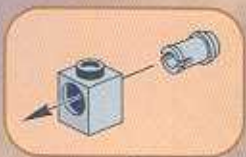
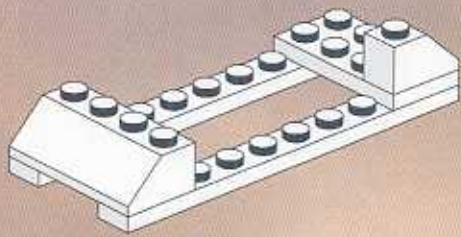
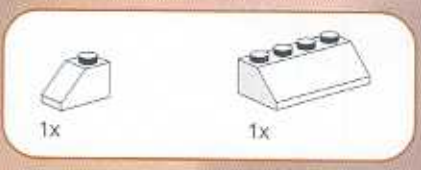
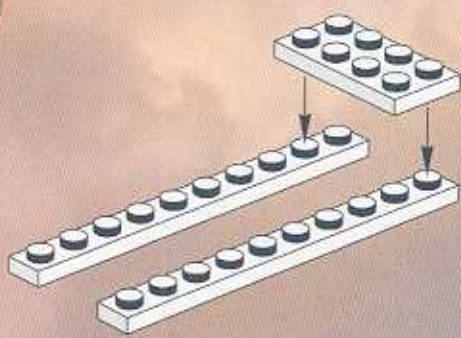
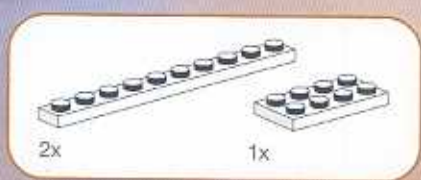
15



16

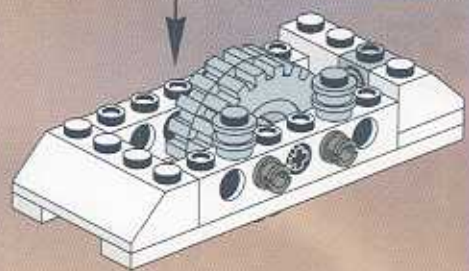
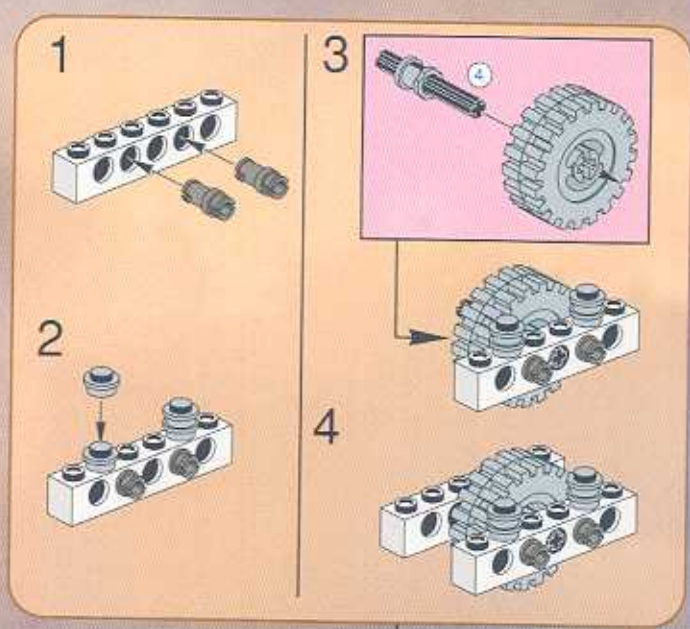
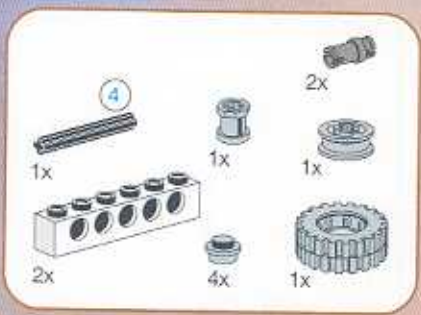




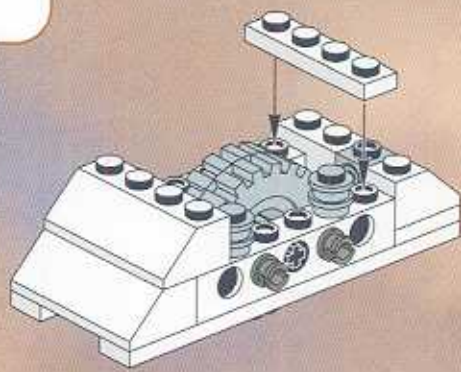
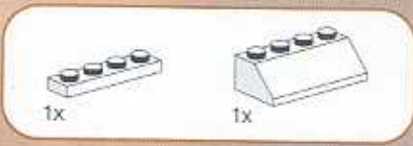




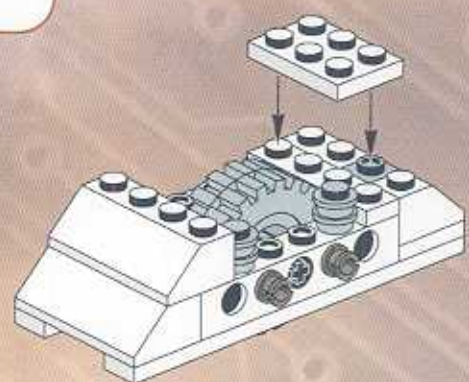
4



5



6



INTRODUCTION

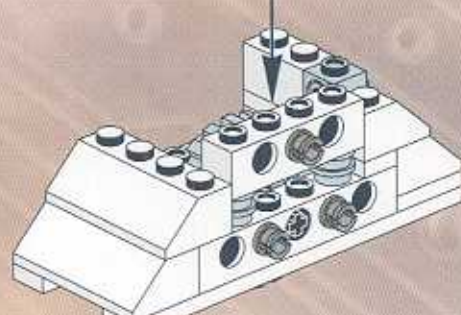
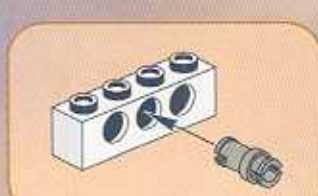
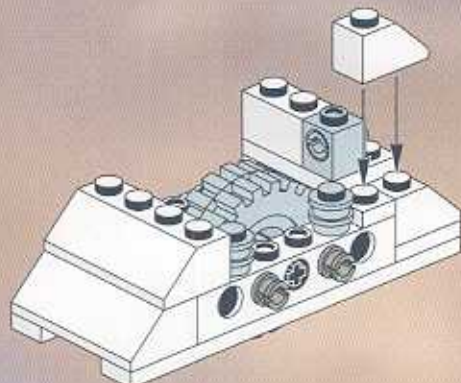
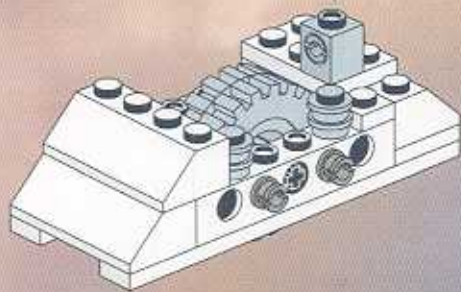
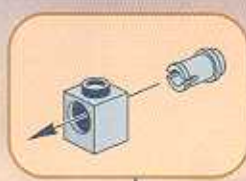
GETTING STARTED

**BUILDING INSTRUCTIONS**

SPECIAL FEATURES

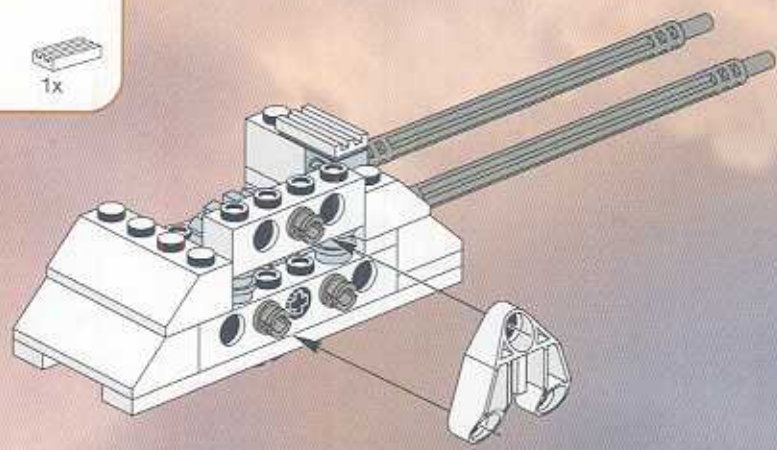
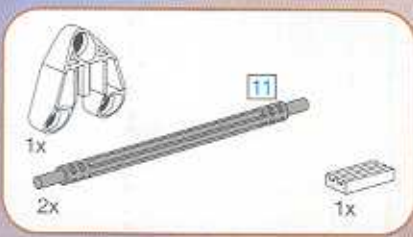
TECHNICAL STUFF



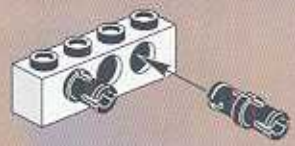




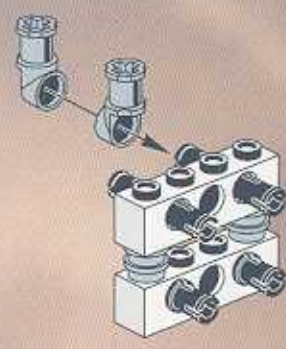
10



1



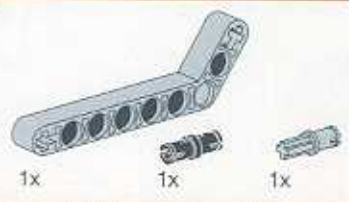
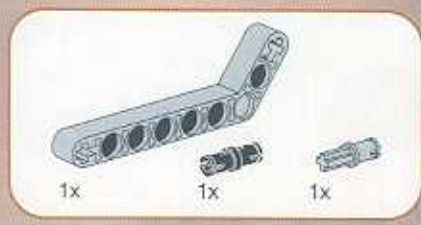
4



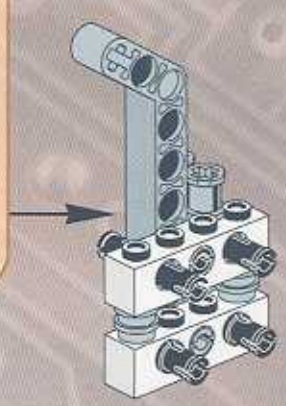
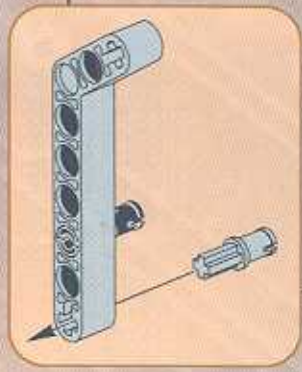
2



5

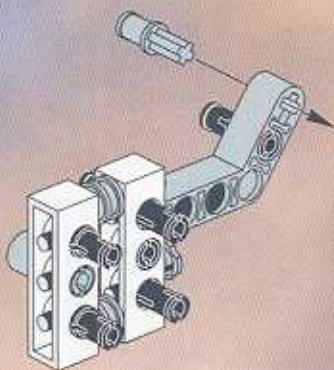


11

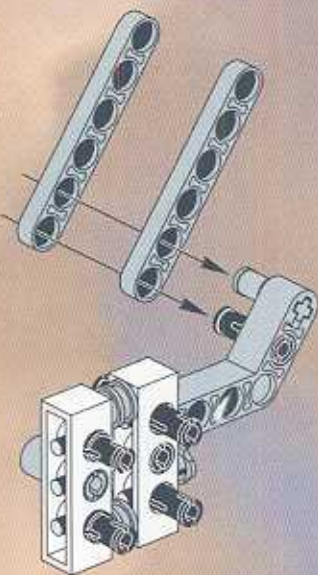




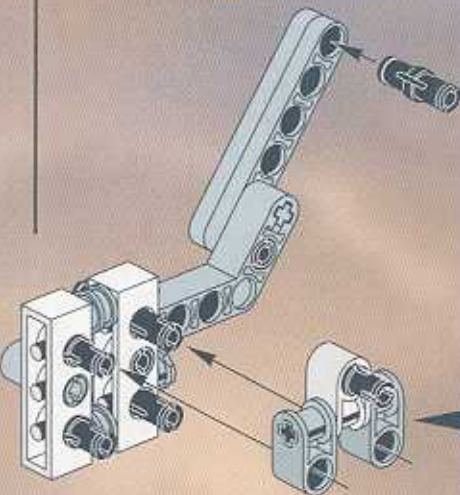
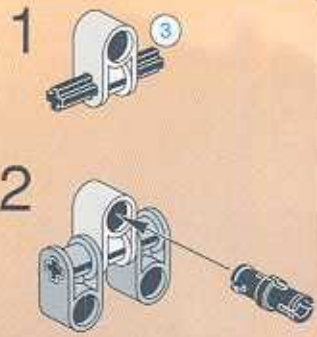
6



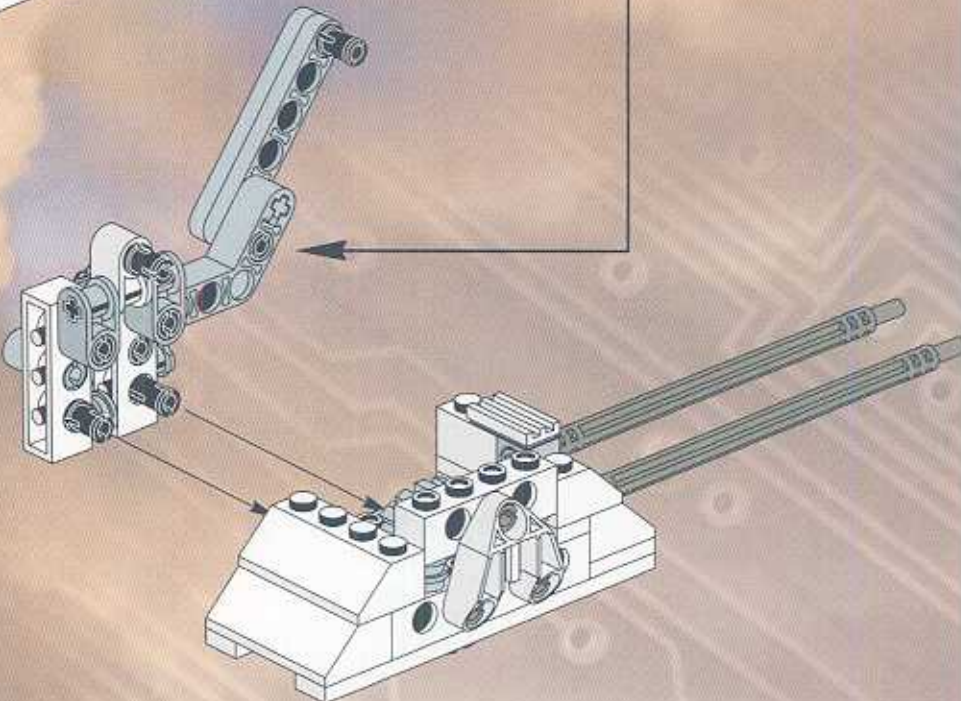
7



8

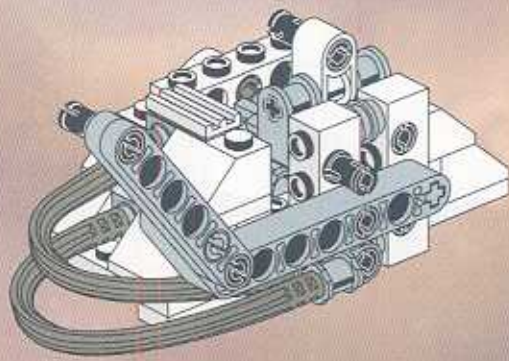


11

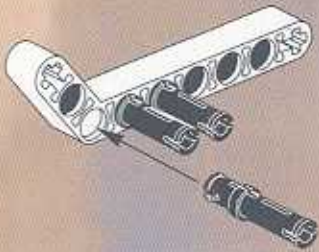
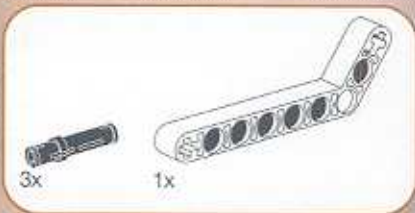




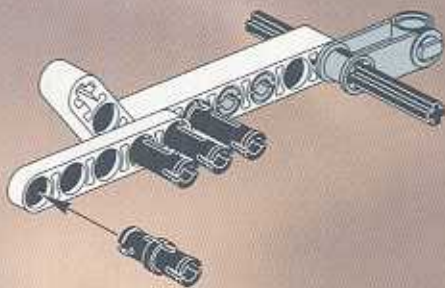
12



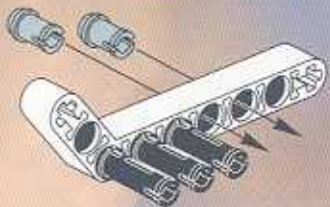
1



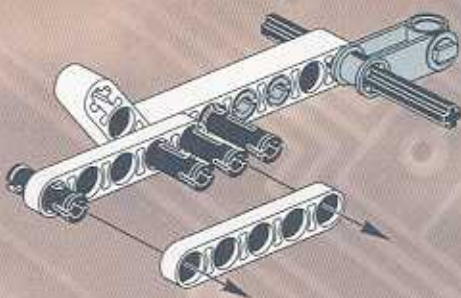
4



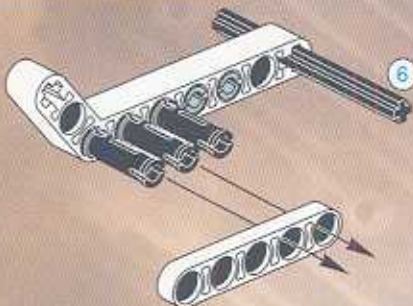
2



5

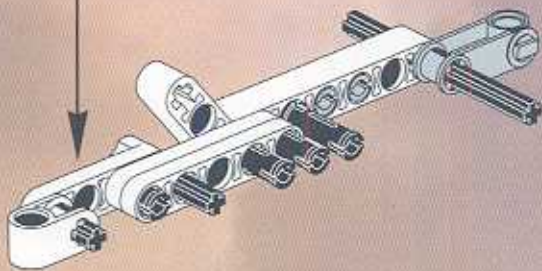
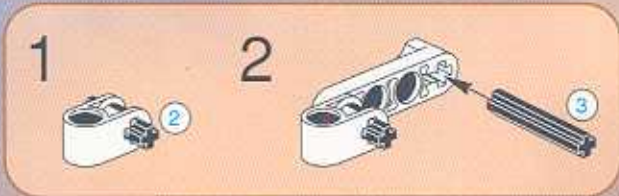
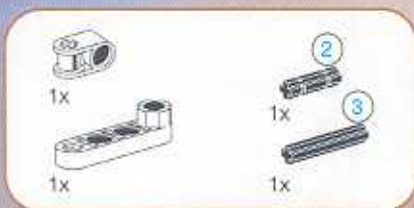


3

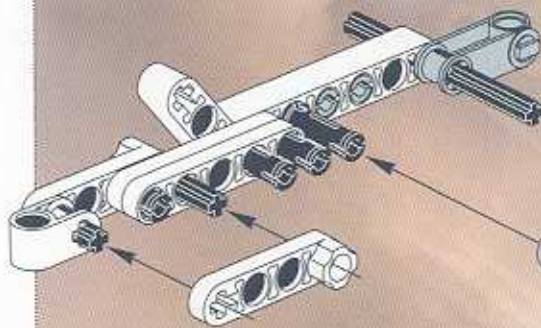
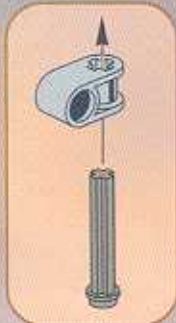
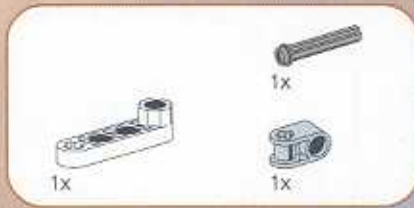




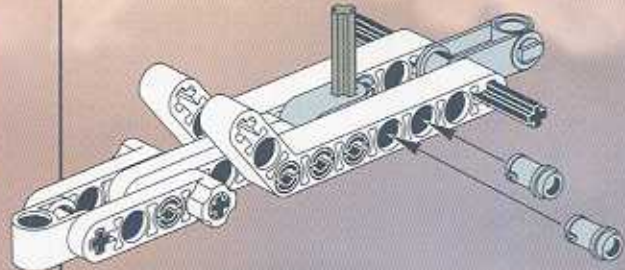
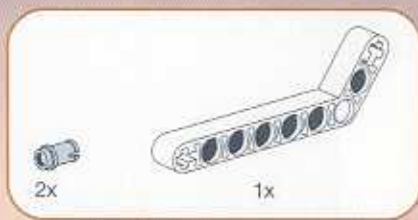
6



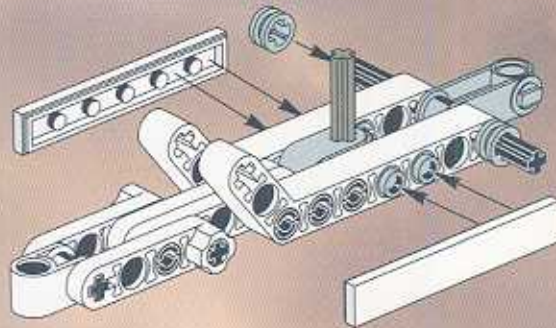
7



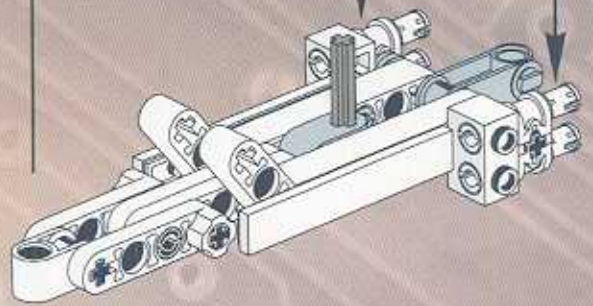
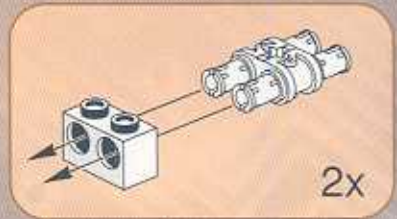
8



9

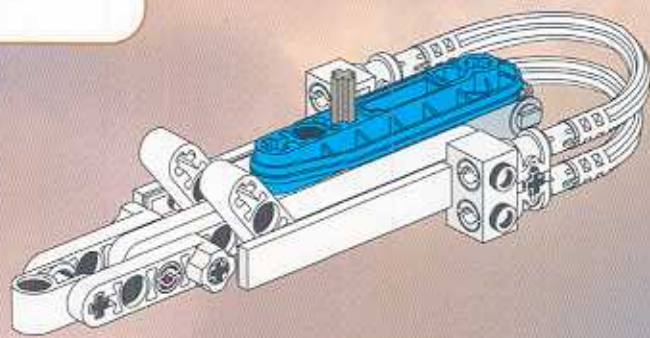
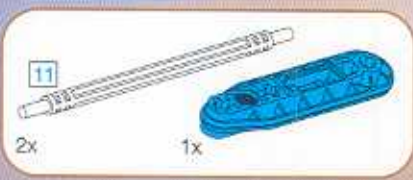


10

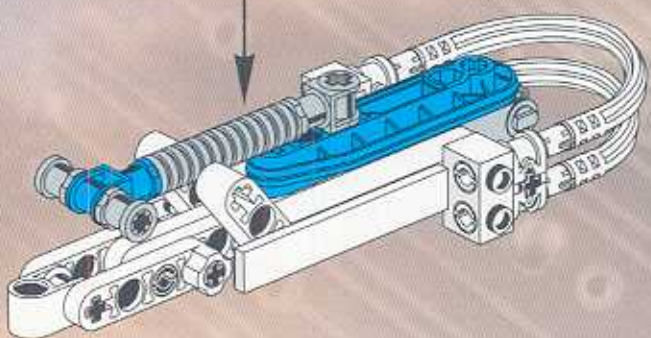
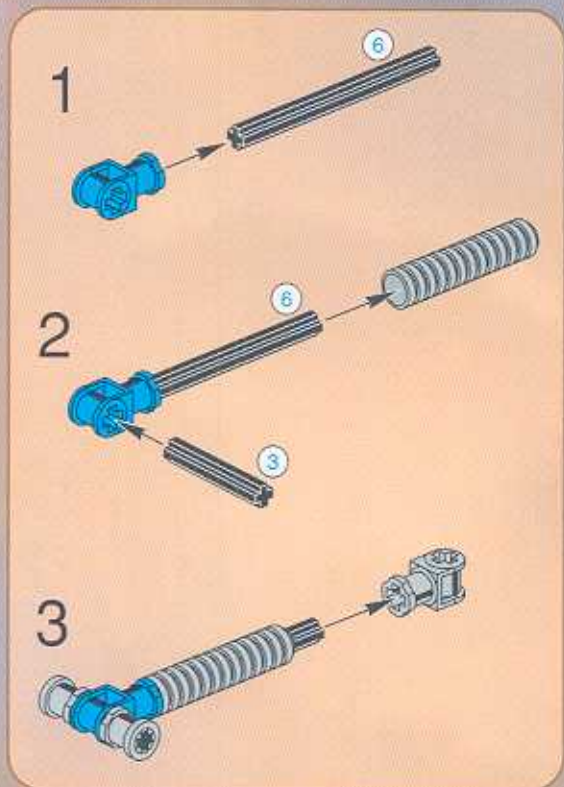
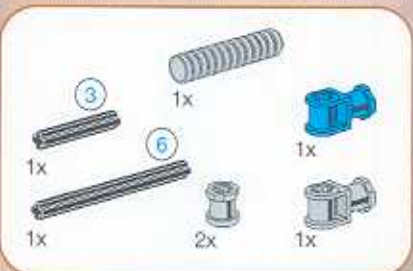




11

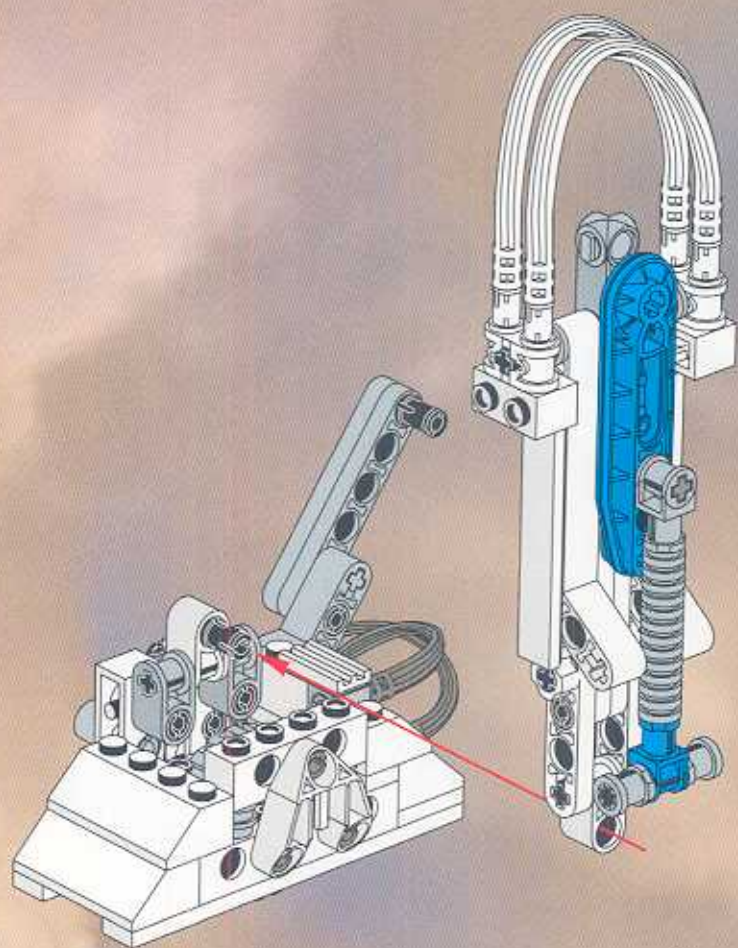


12



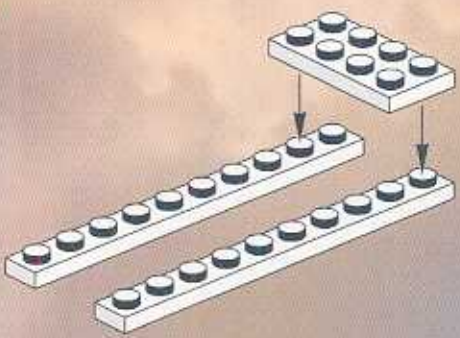
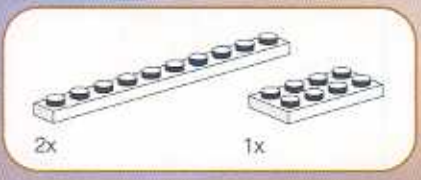


13

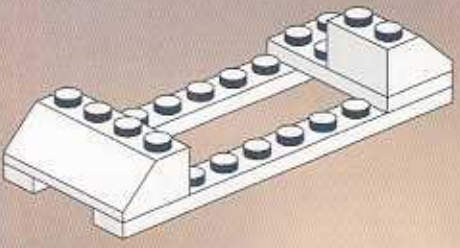
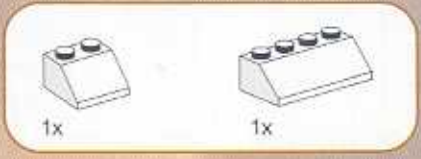




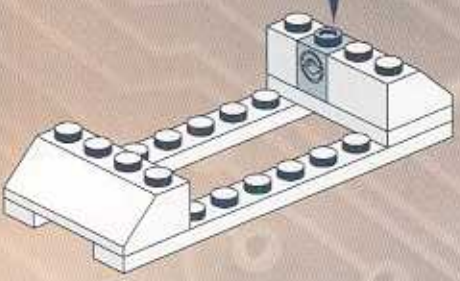
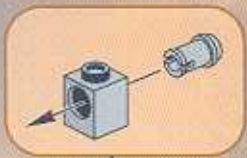
1



2



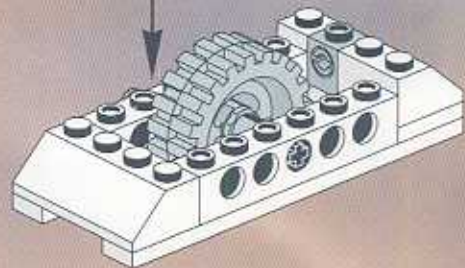
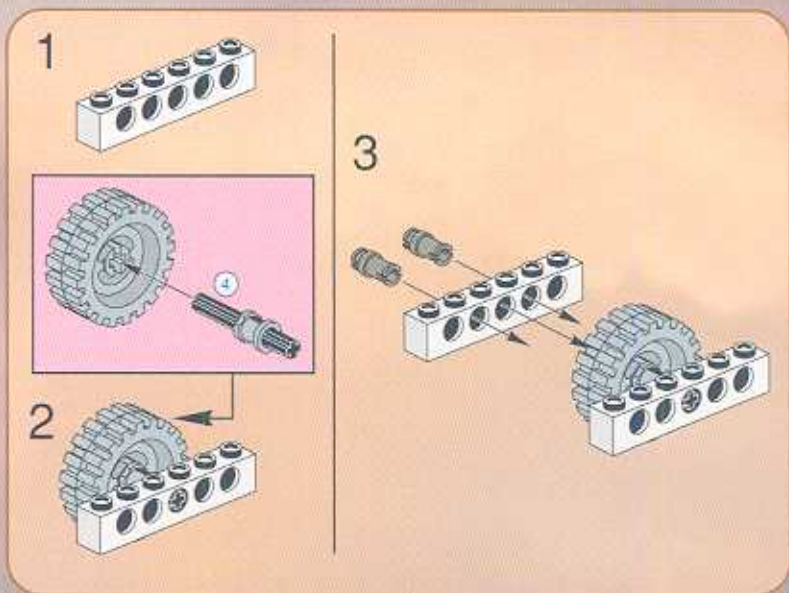
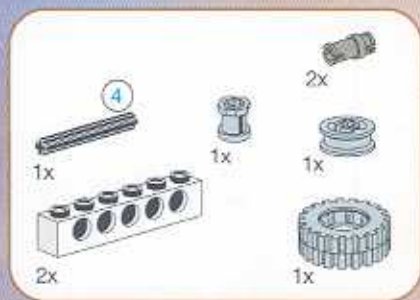
3



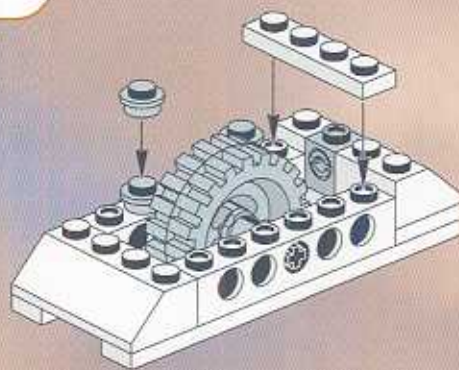




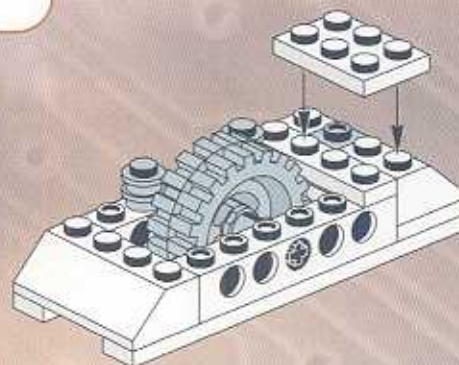
4



5

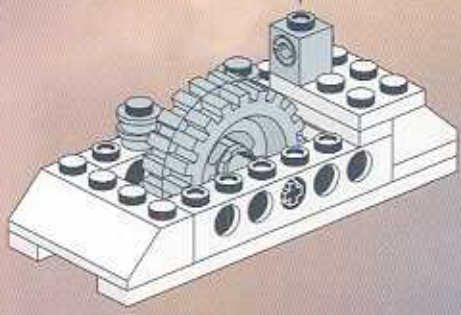
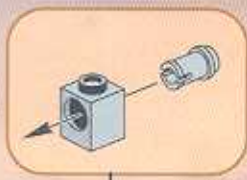


6

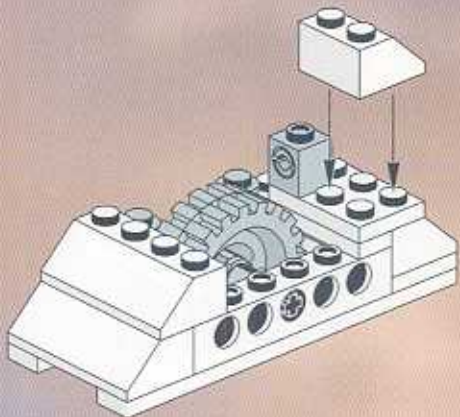
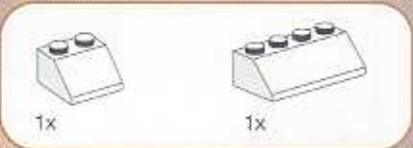




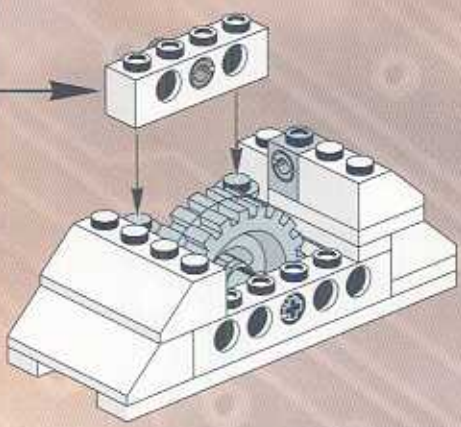
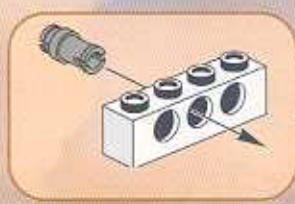
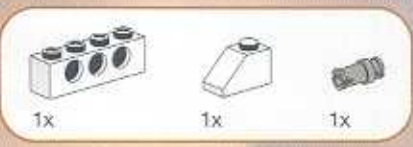
7



8

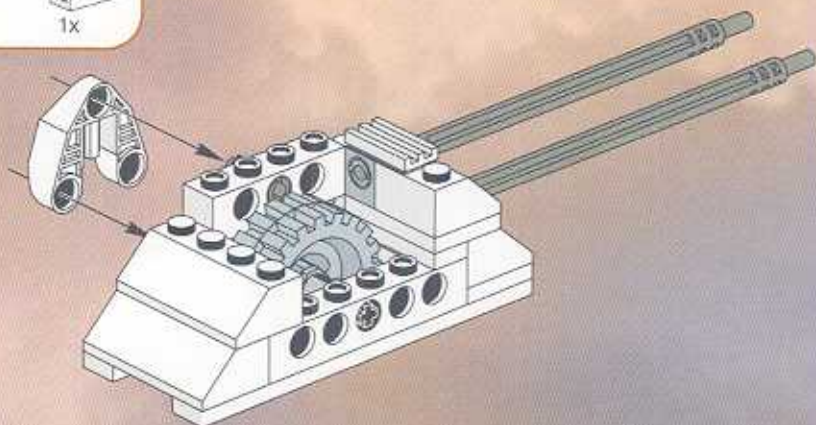


9

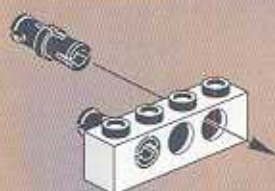




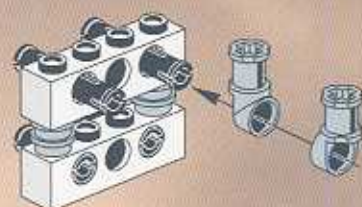
10



1



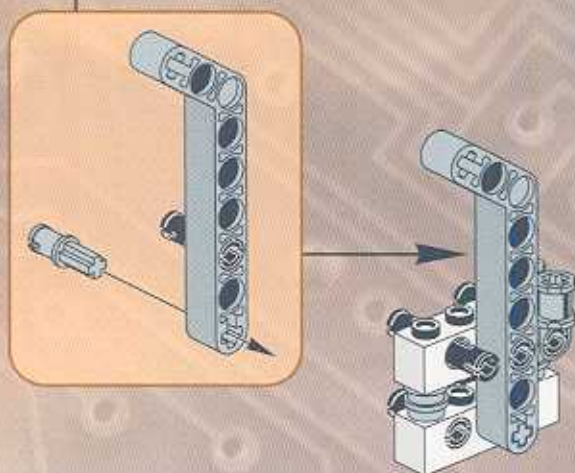
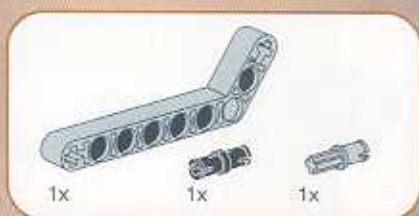
4



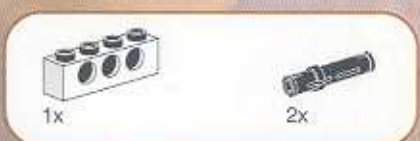
2



5

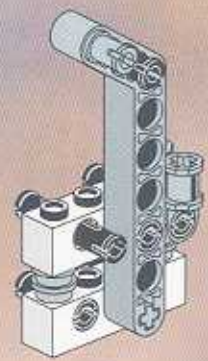


3

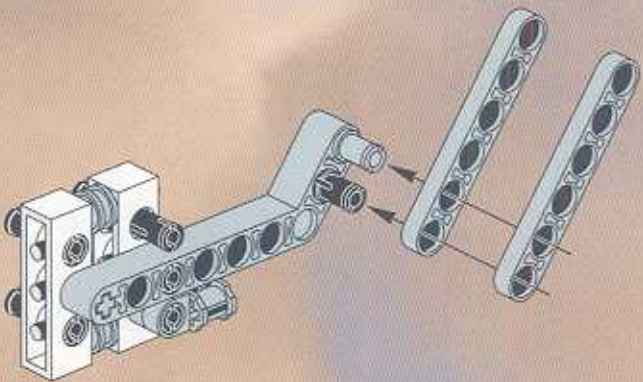




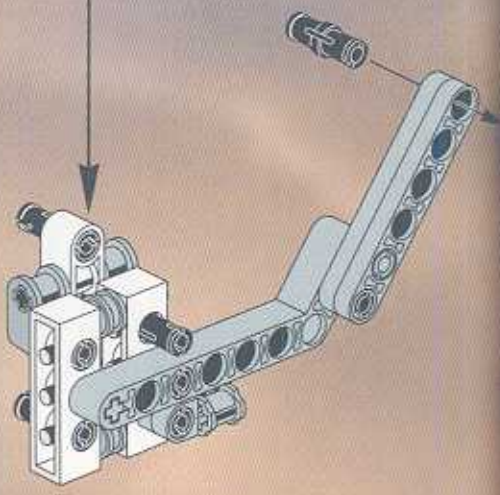
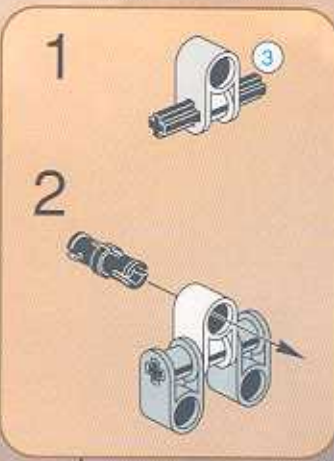
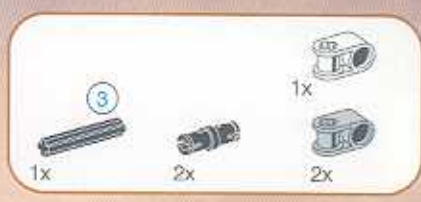
6



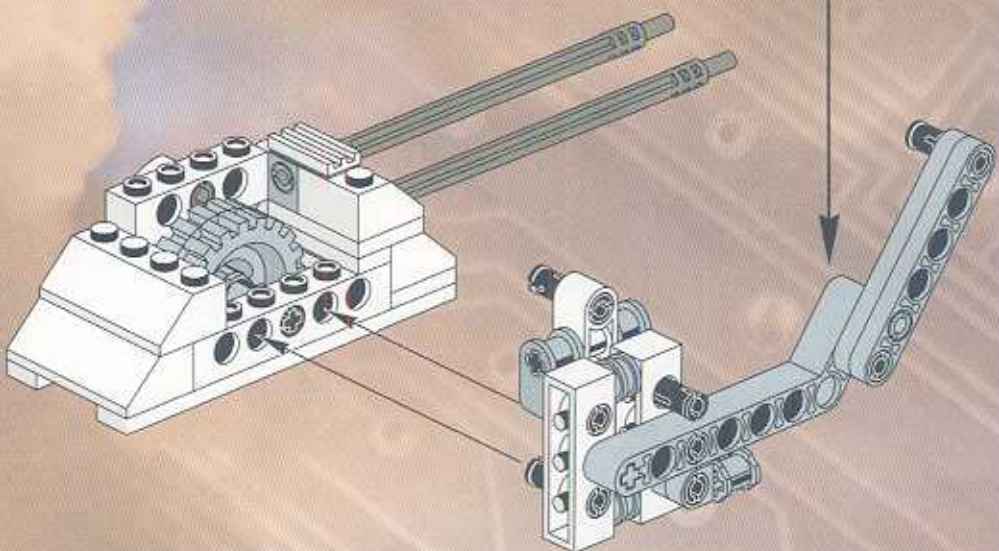
7



8



11



INTRODUCTION

GETTING STARTED

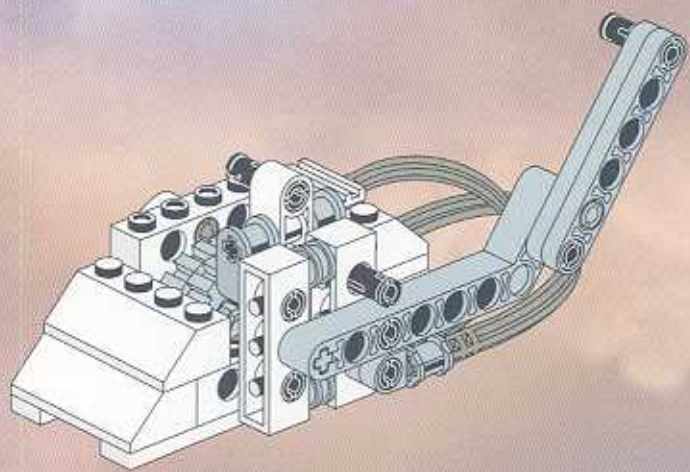
BUILDING INSTRUCTIONS

SPECIAL FEATURES

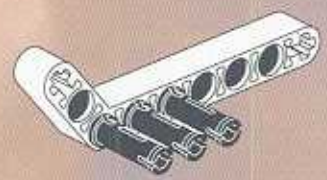
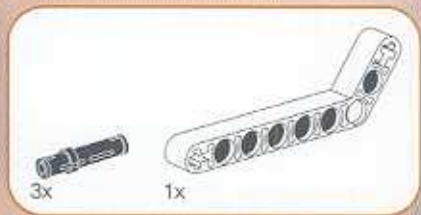
TECHNICAL STUFF



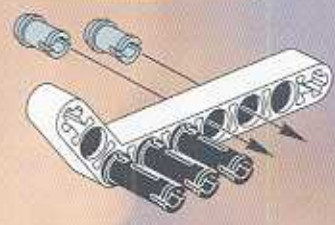
12



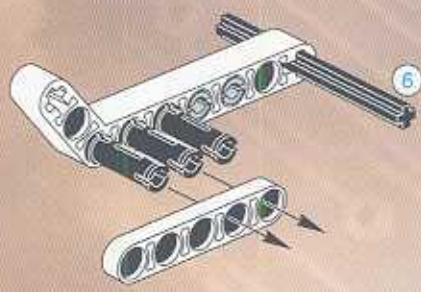
1



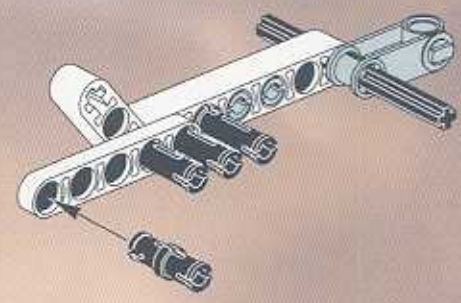
2



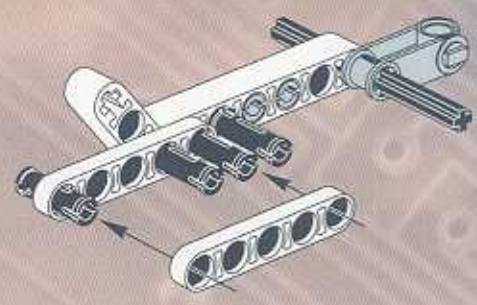
3



4

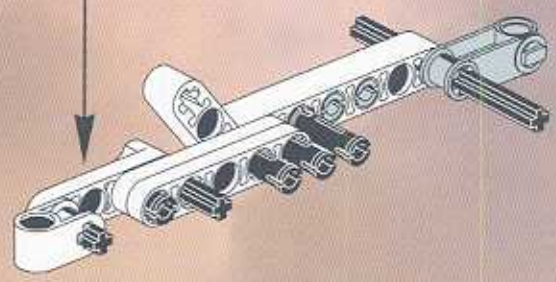
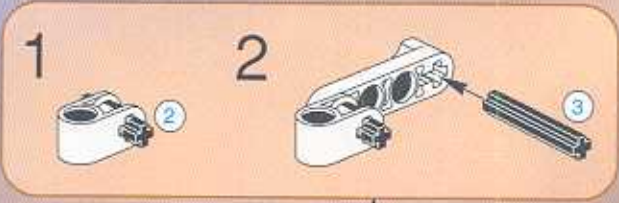
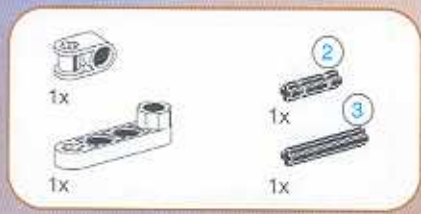


5

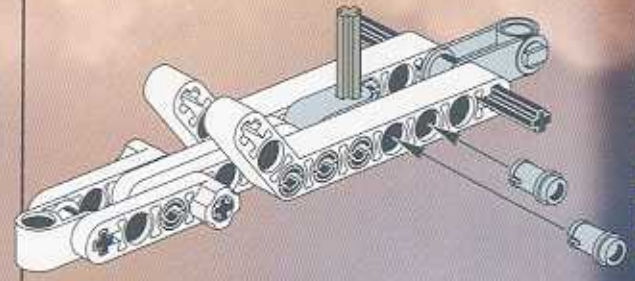
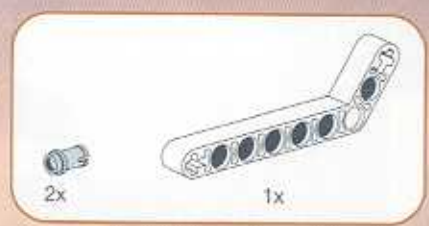




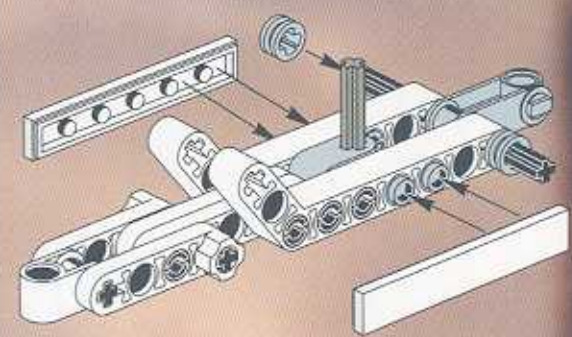
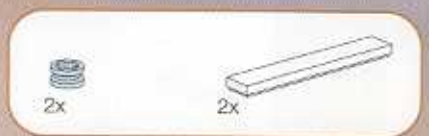
6



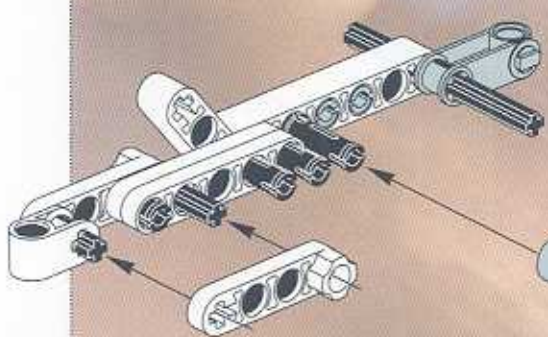
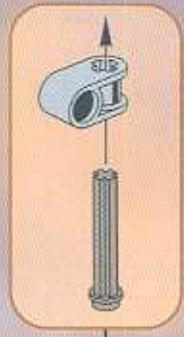
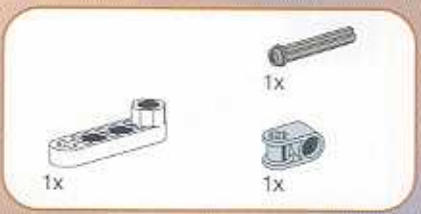
8



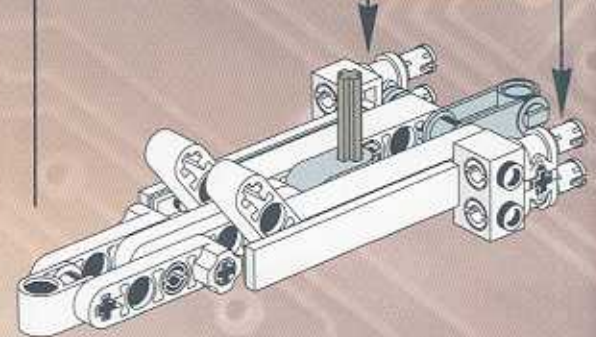
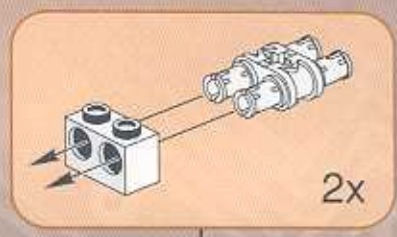
9



7

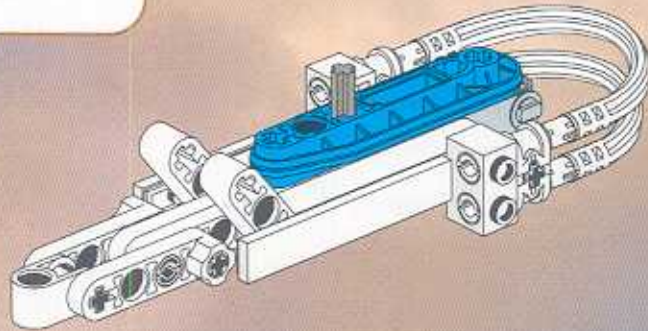
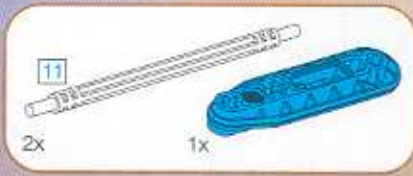


10

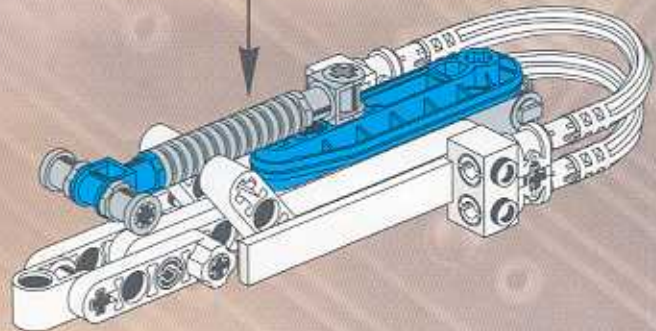
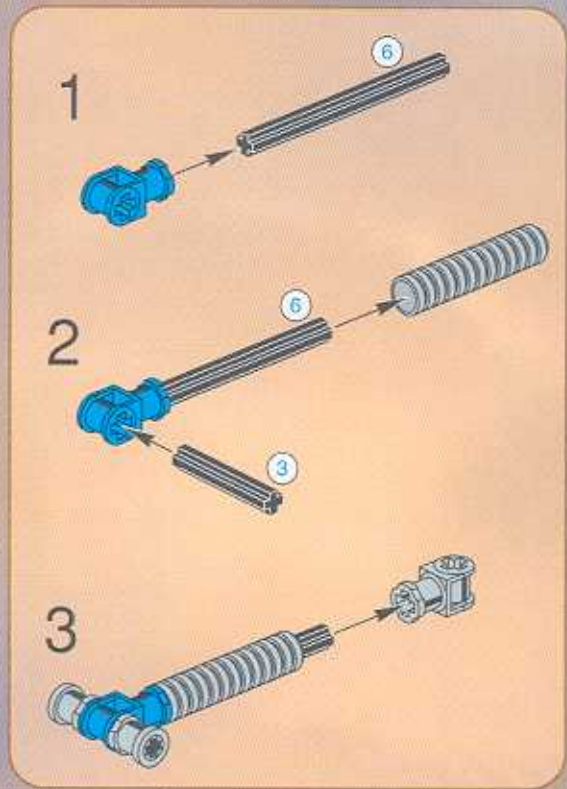
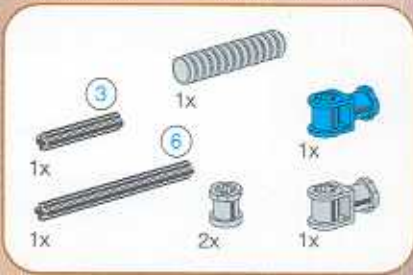




11

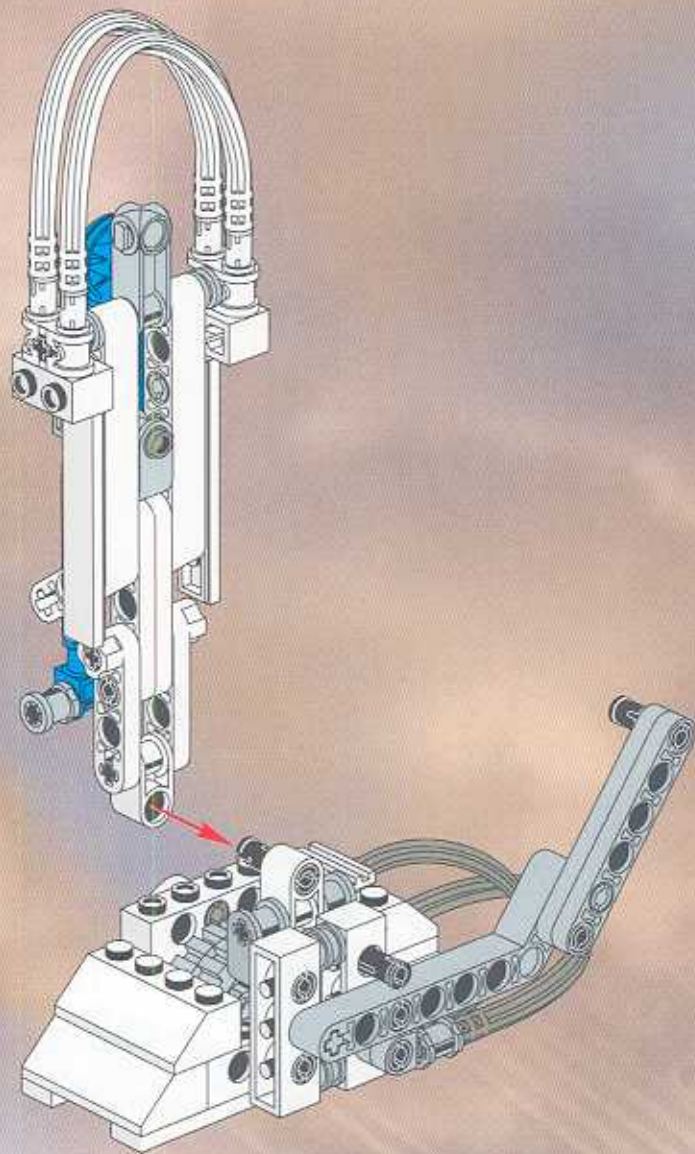


12





13



INTRODUCTION

GETTING STARTED

**BUILDING INSTRUCTIONS**

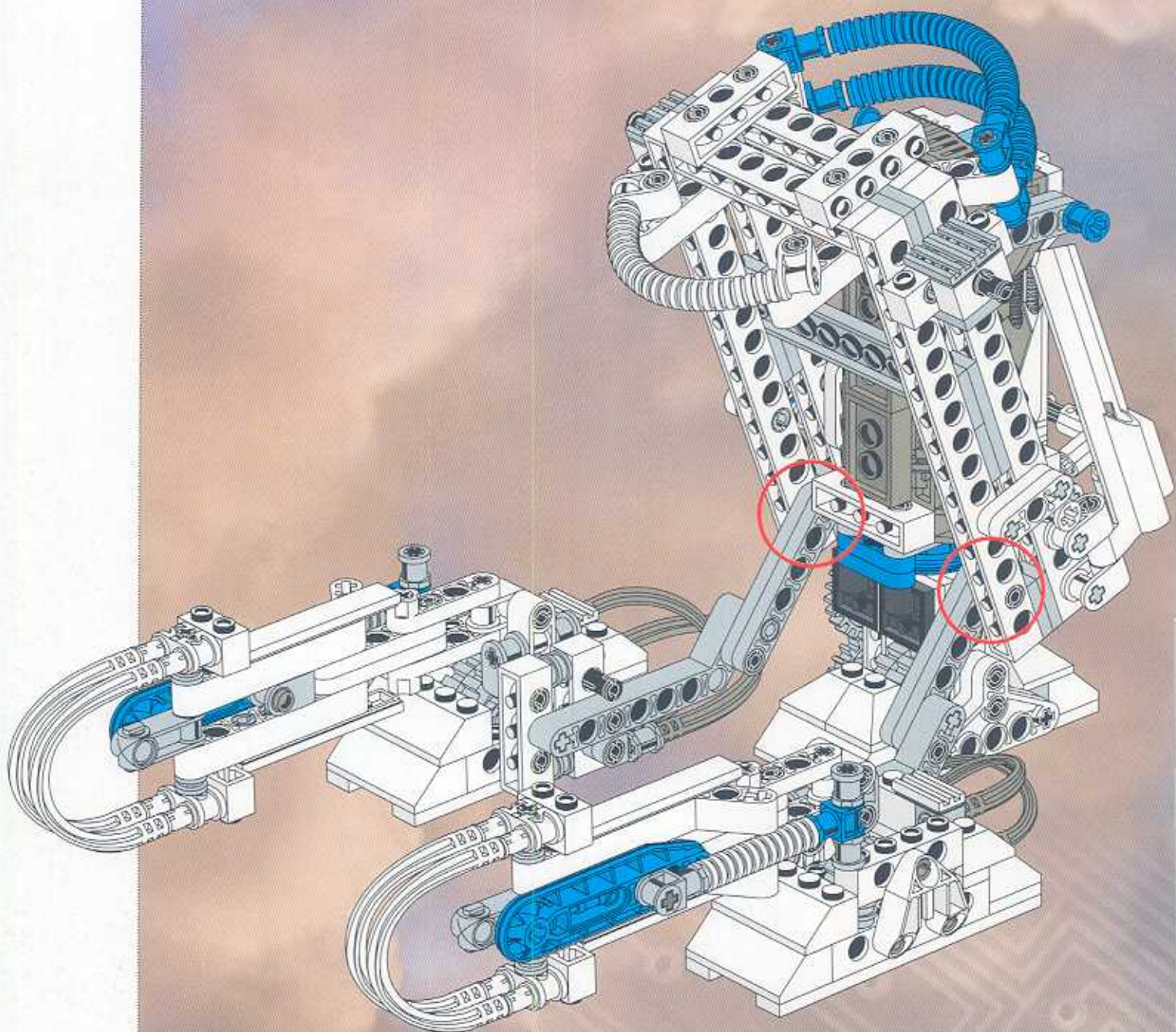
SPECIAL FEATURES

TECHNICAL STUFF



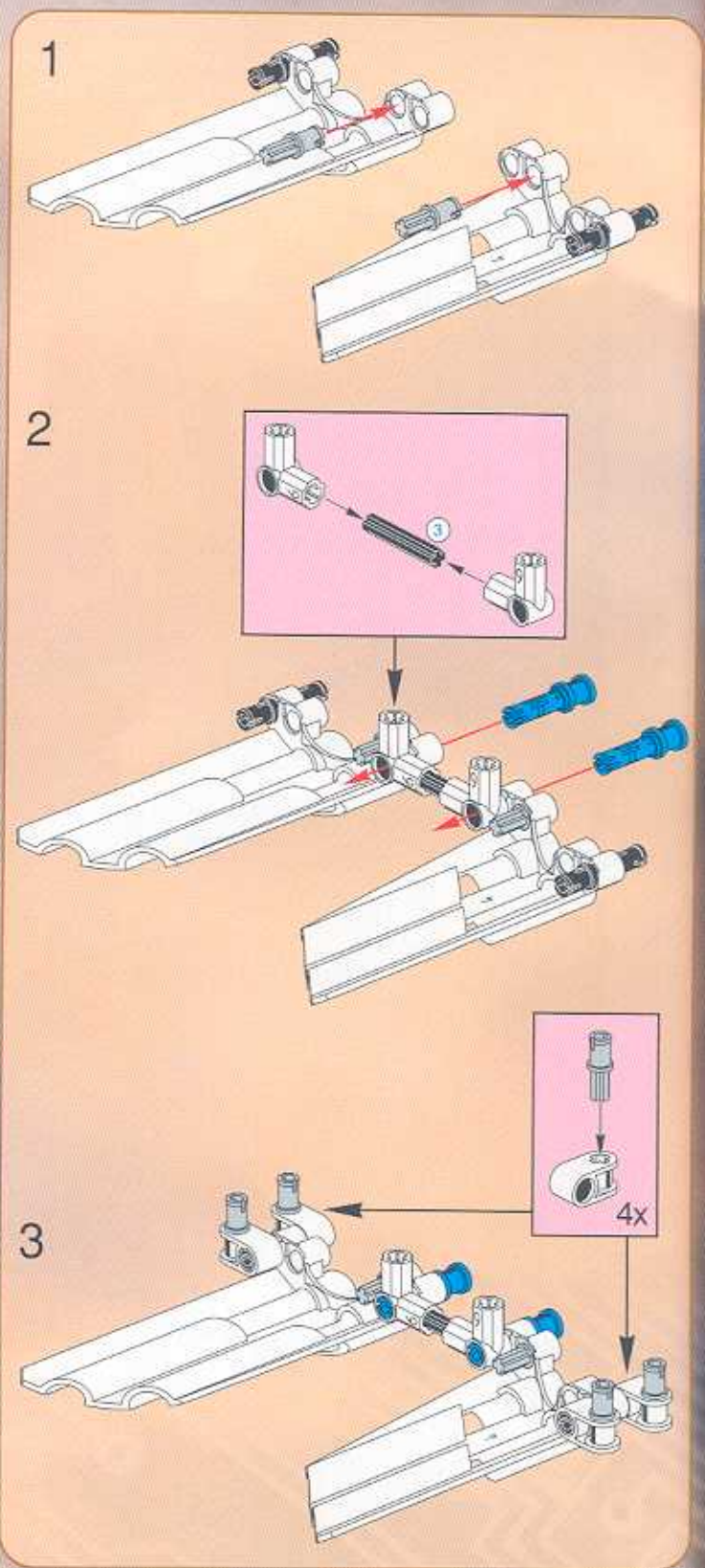
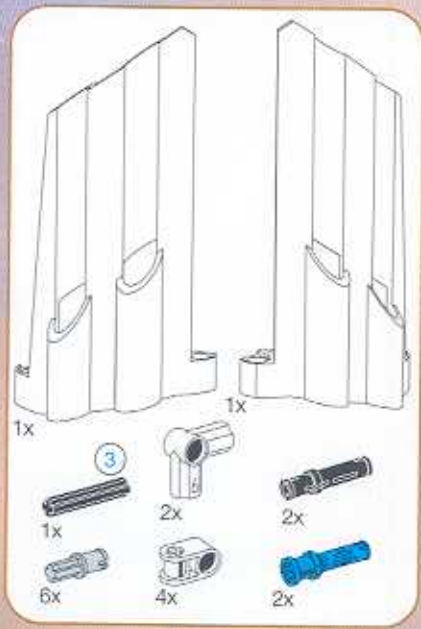


18





19



INTRODUCTION

GETTING STARTED

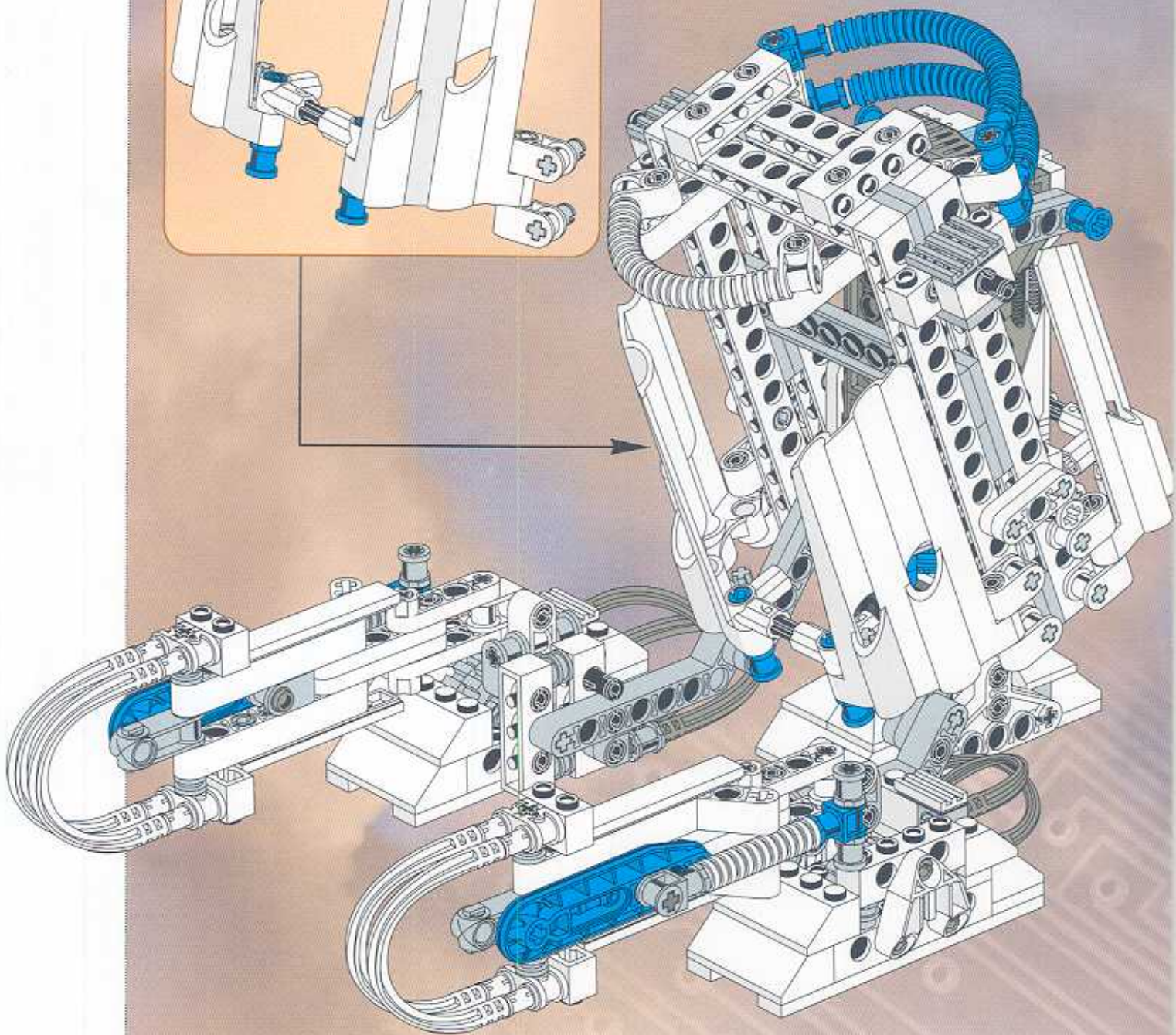
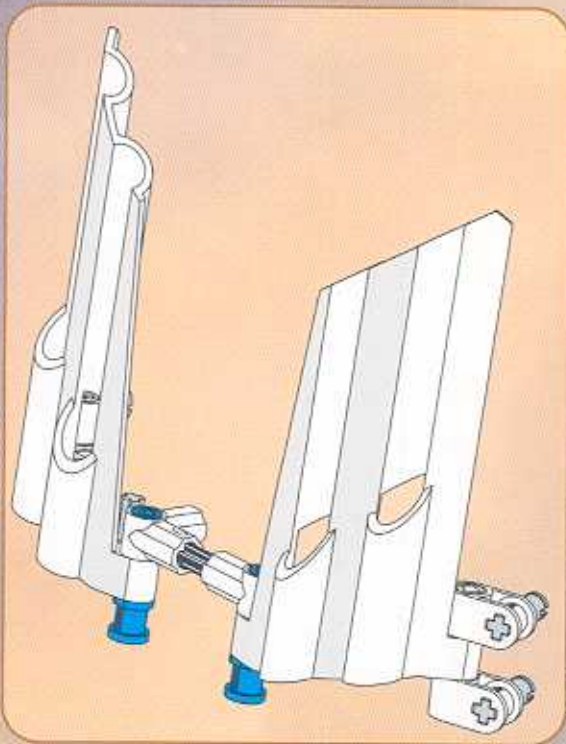
**BUILDING INSTRUCTIONS**

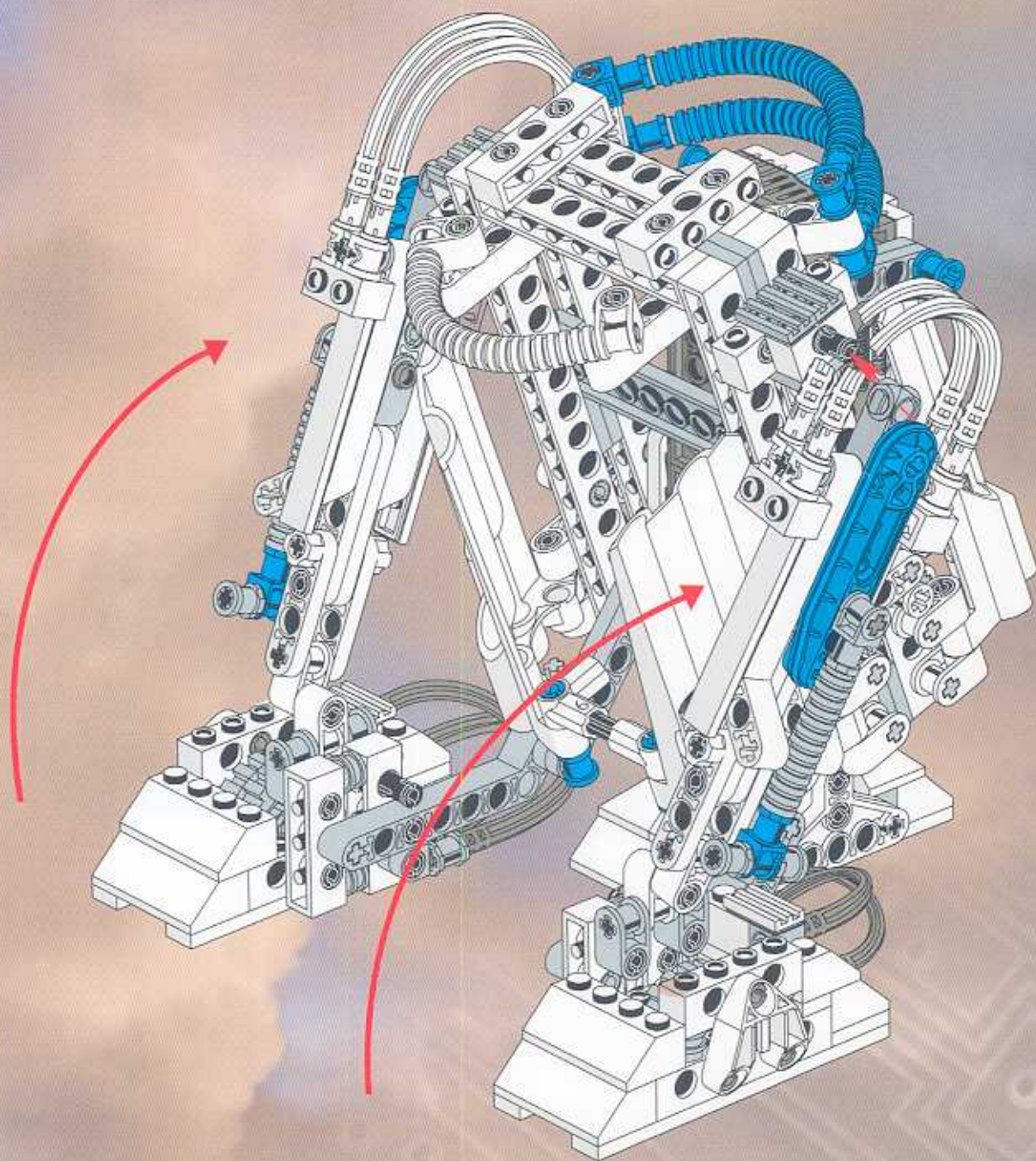
SPECIAL FEATURES

TECHNICAL STUFF



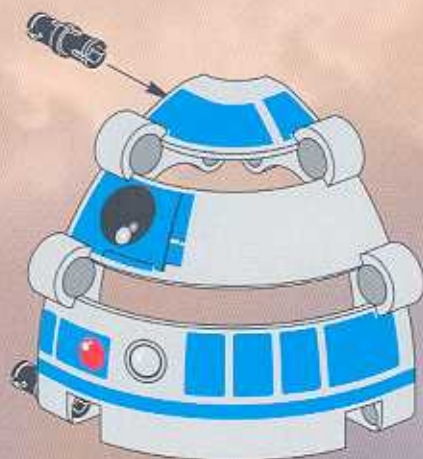
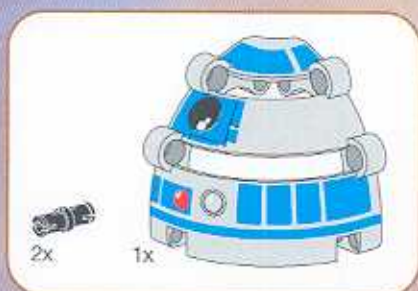
20



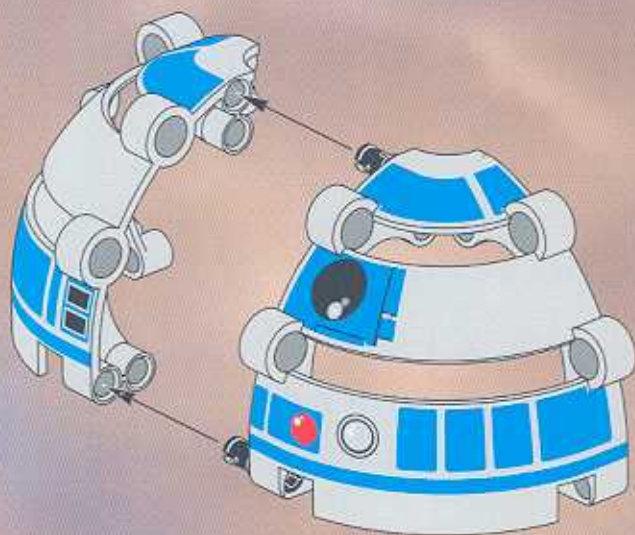




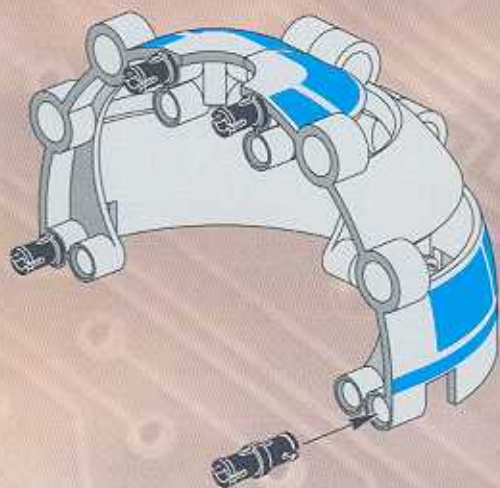
1



2

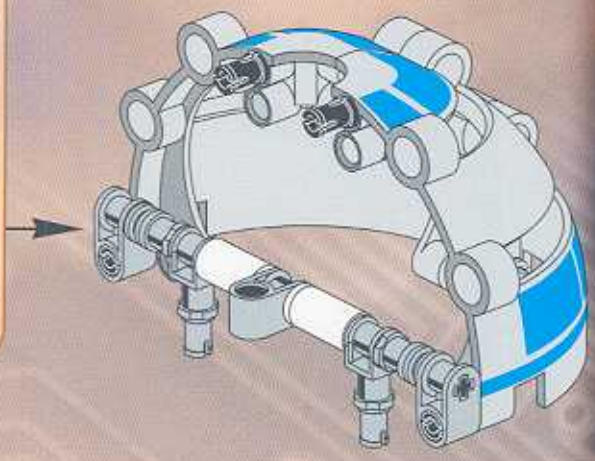
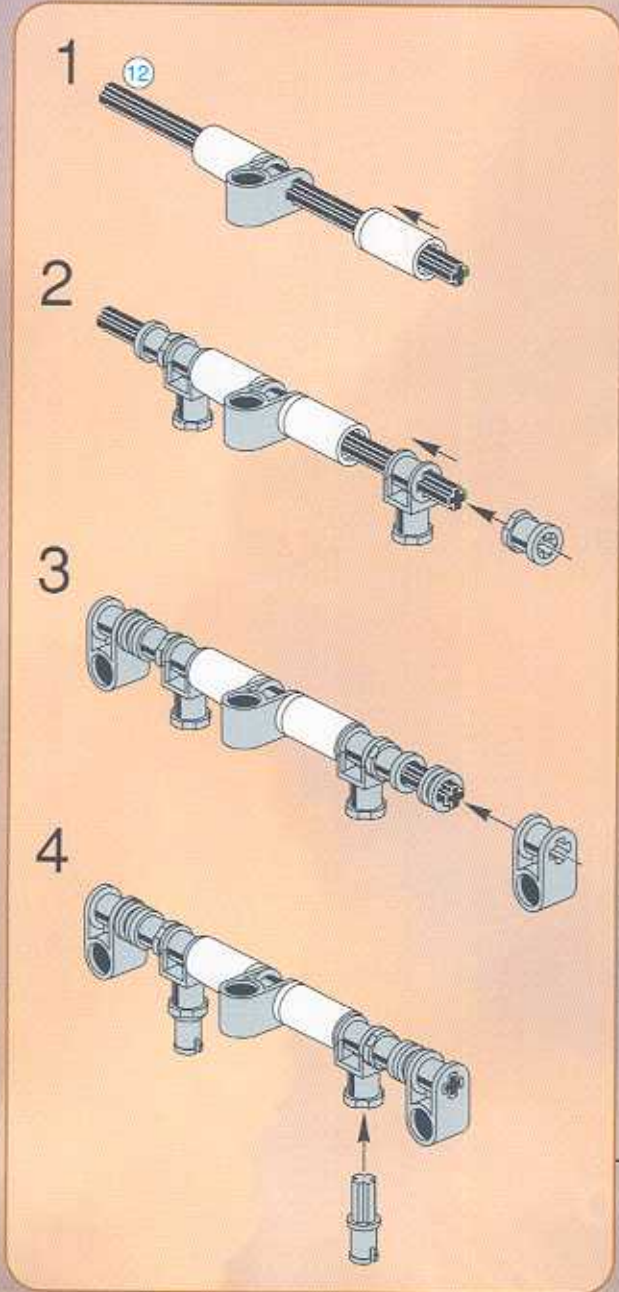
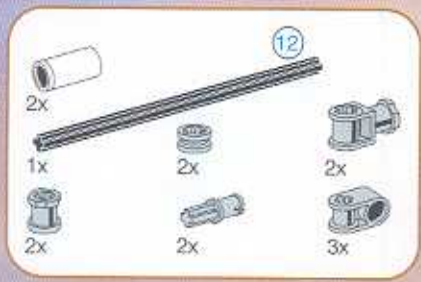


3





4



INTRODUCTION

GETTING STARTED

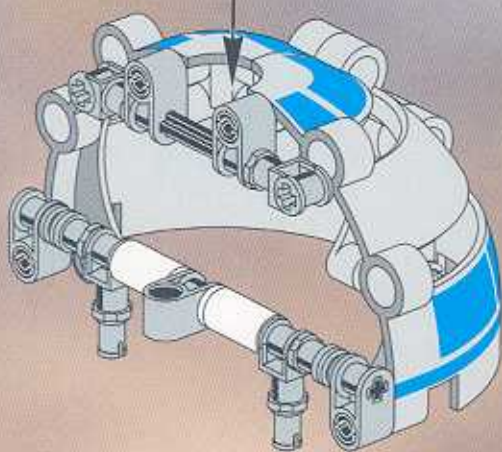
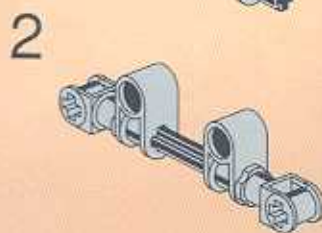
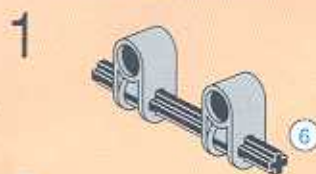
BUILDING INSTRUCTIONS

SPECIAL FEATURES

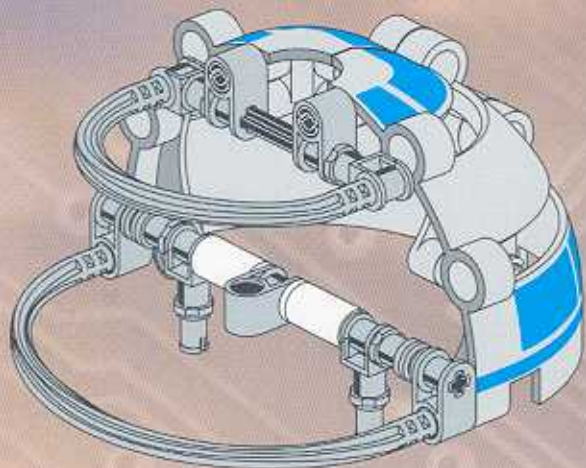
TECHNICAL STUFF



5

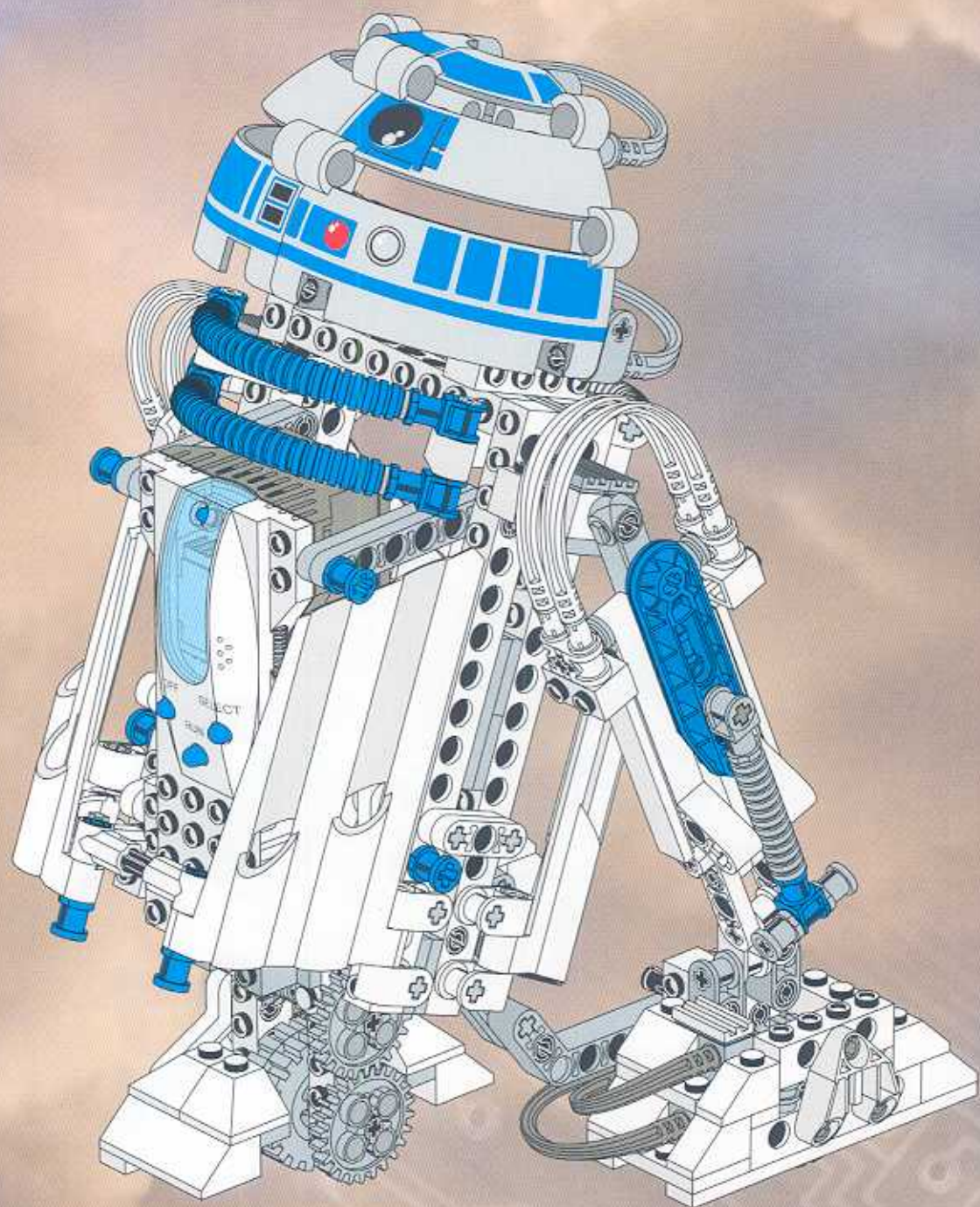


6





22



INTRODUCTION

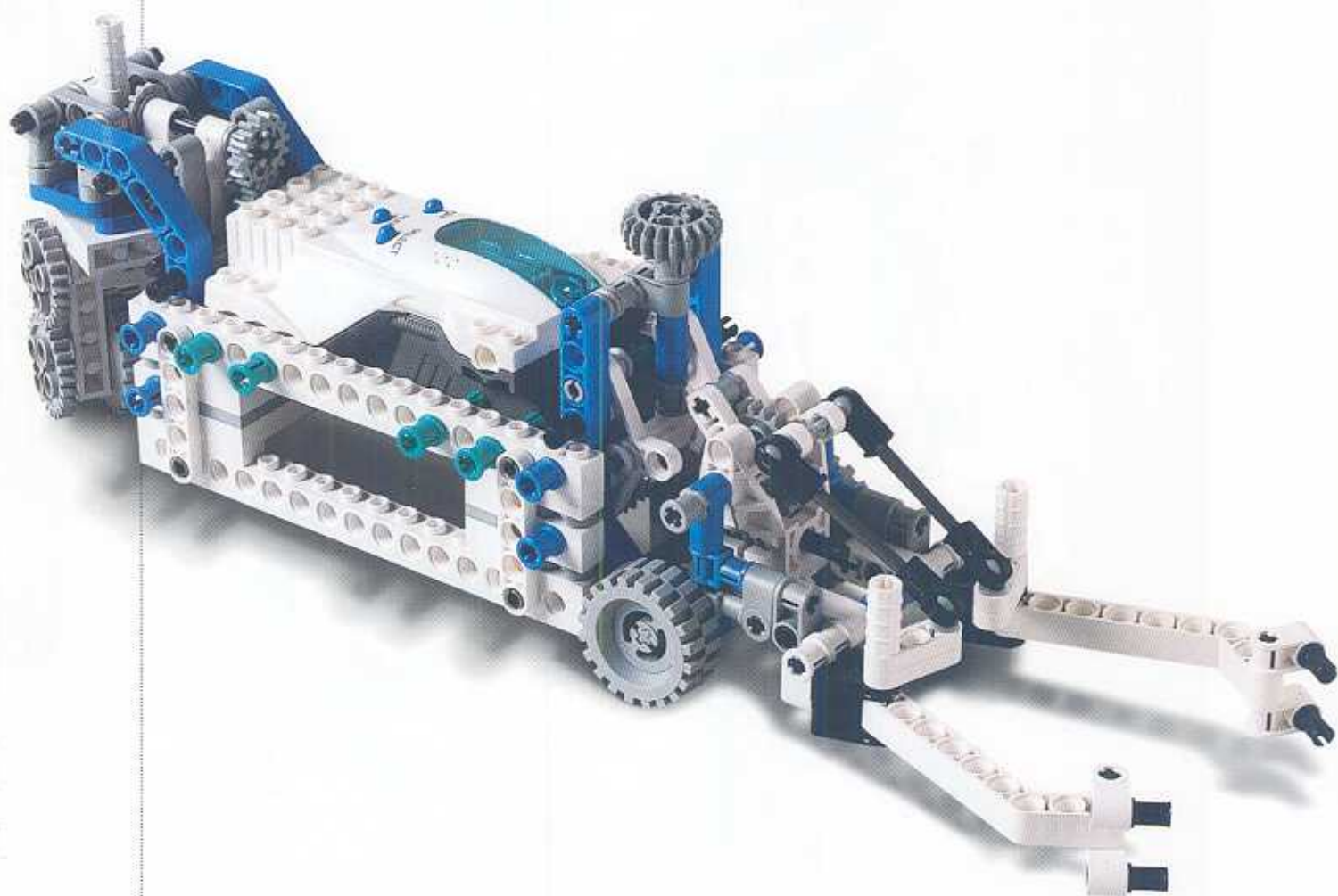
GETTING STARTED

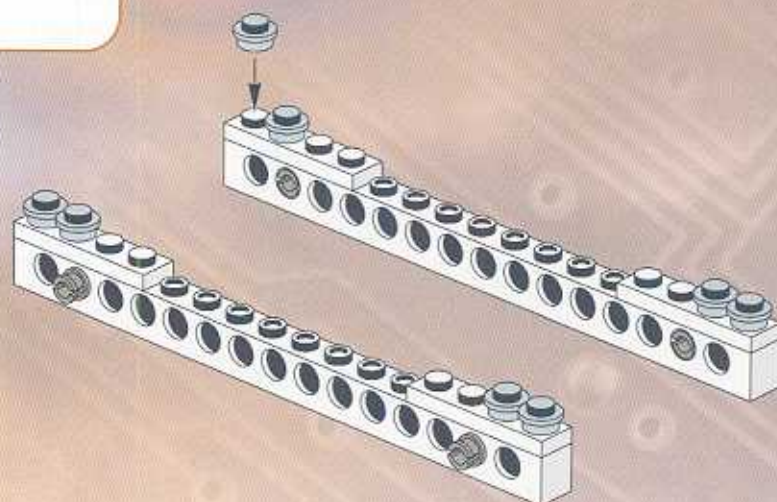
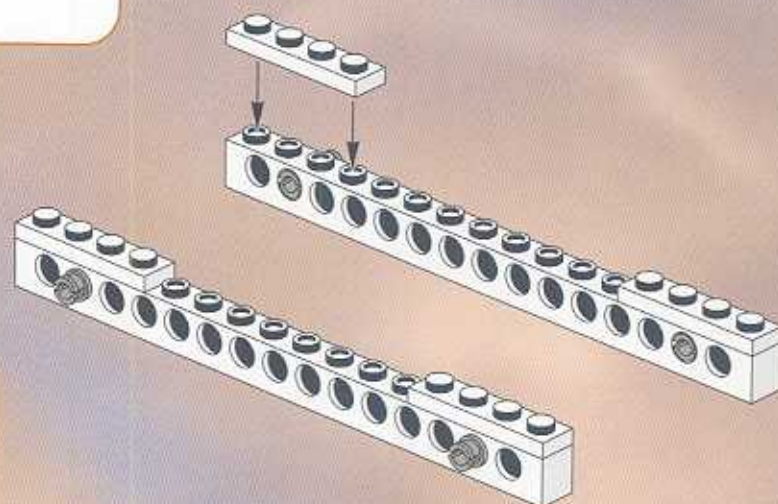
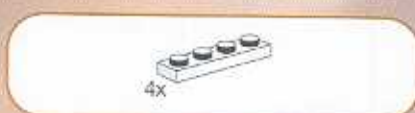
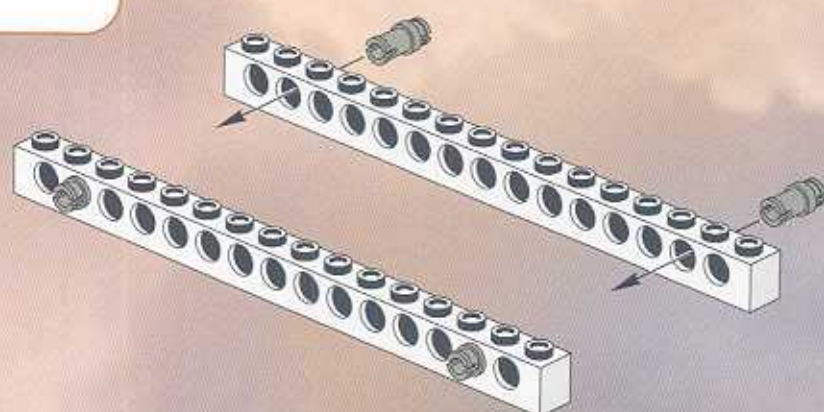
**BUILDING INSTRUCTIONS**

SPECIAL FEATURES

TECHNICAL STUFF

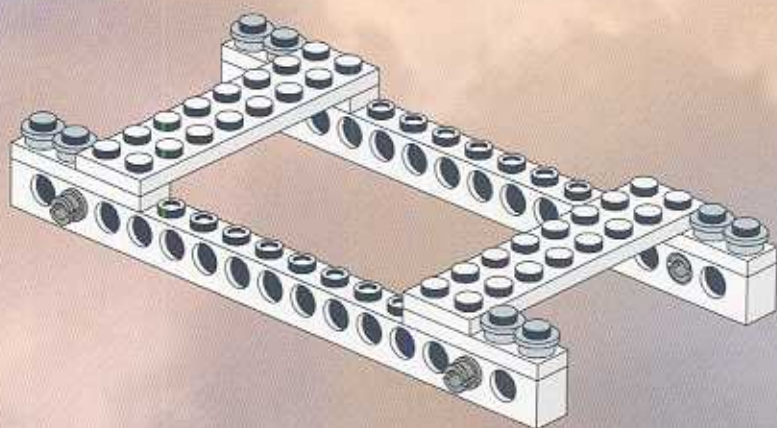
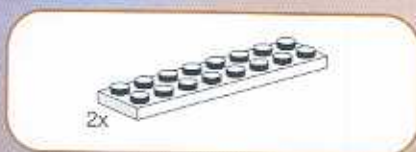




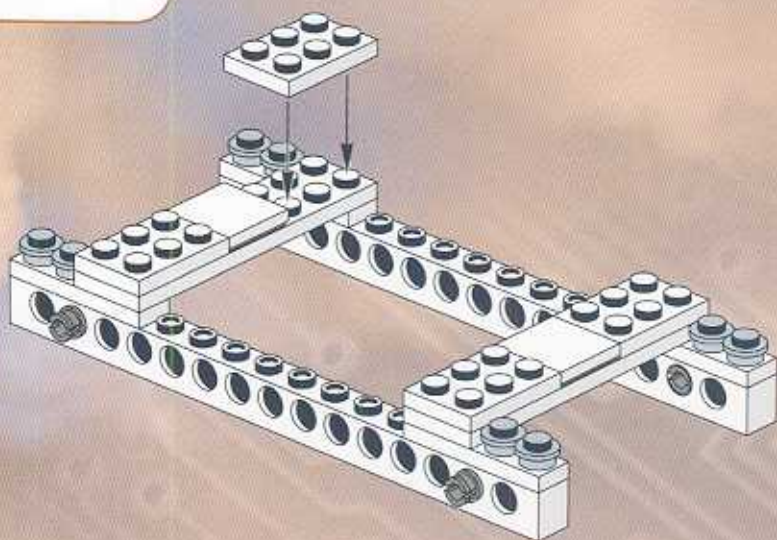
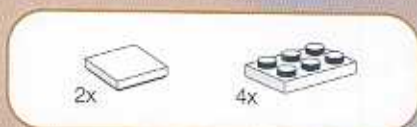




4



5



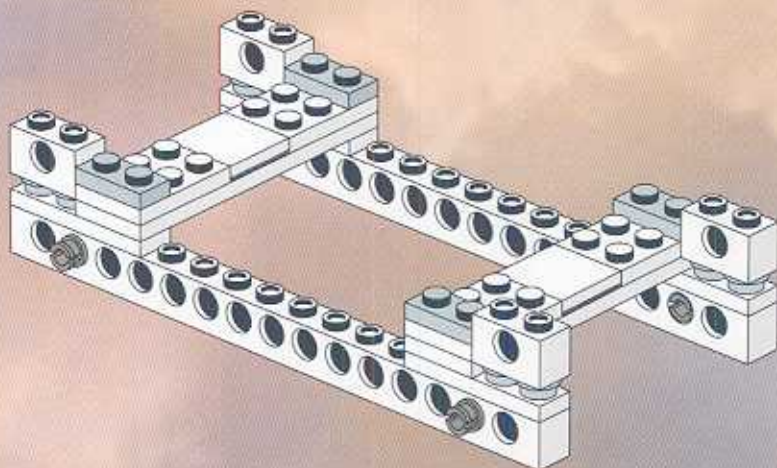
19



4x



4x



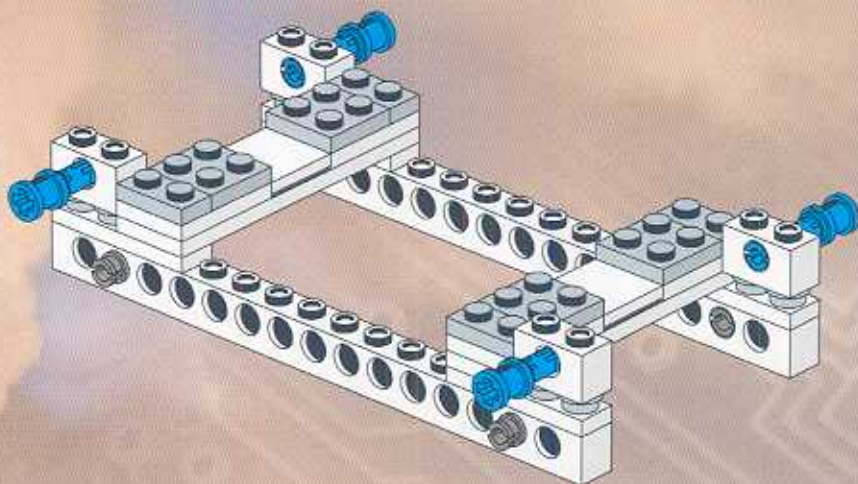
7



4x



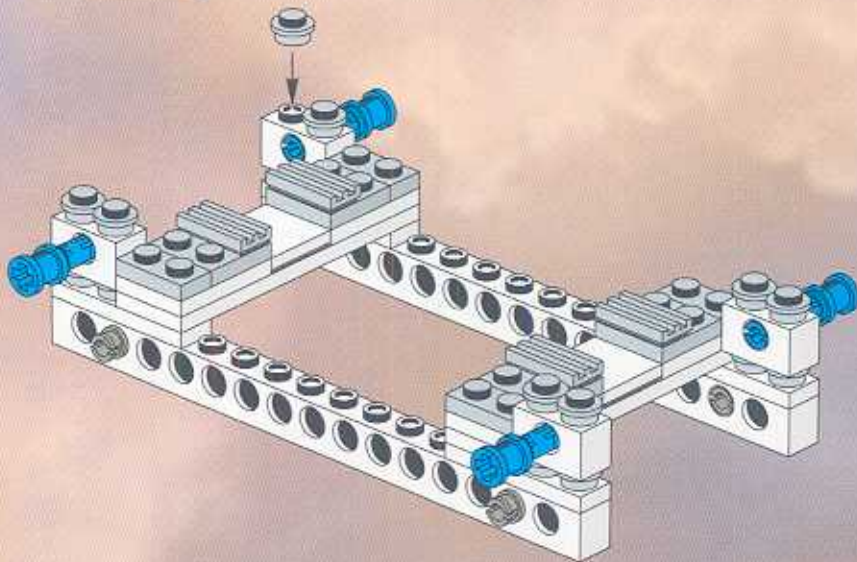
4x





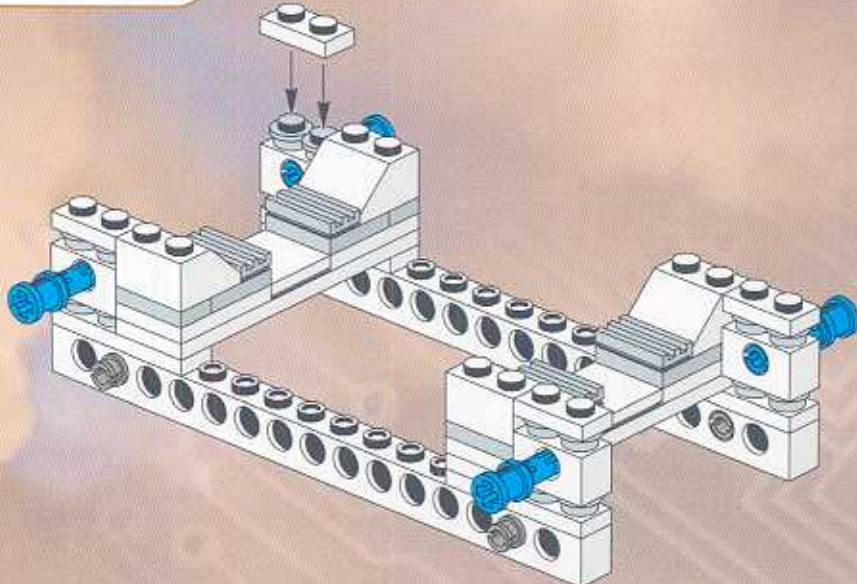
8

- 4x
- 8x



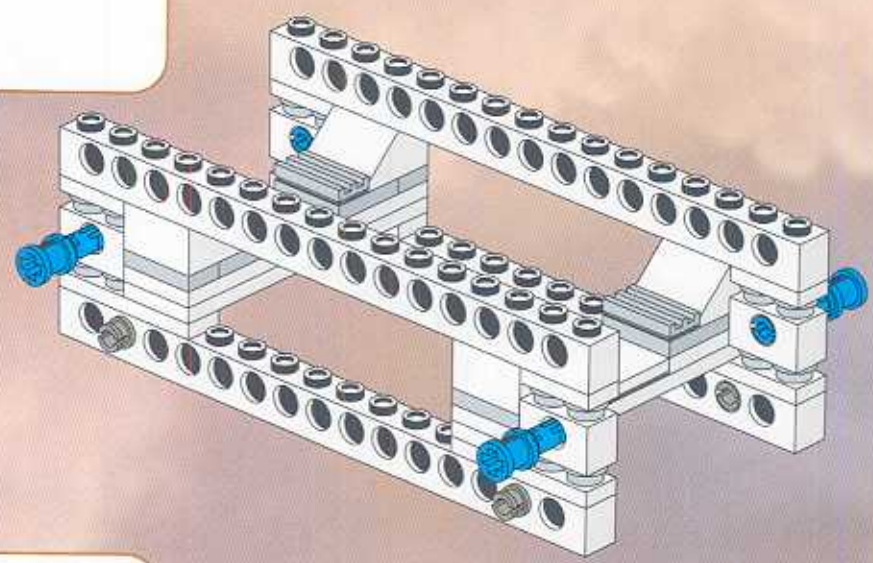
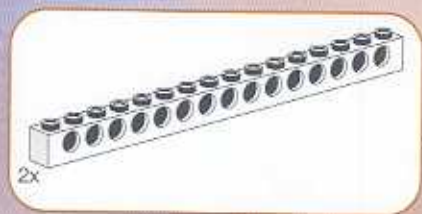
9

- 4x
- 4x

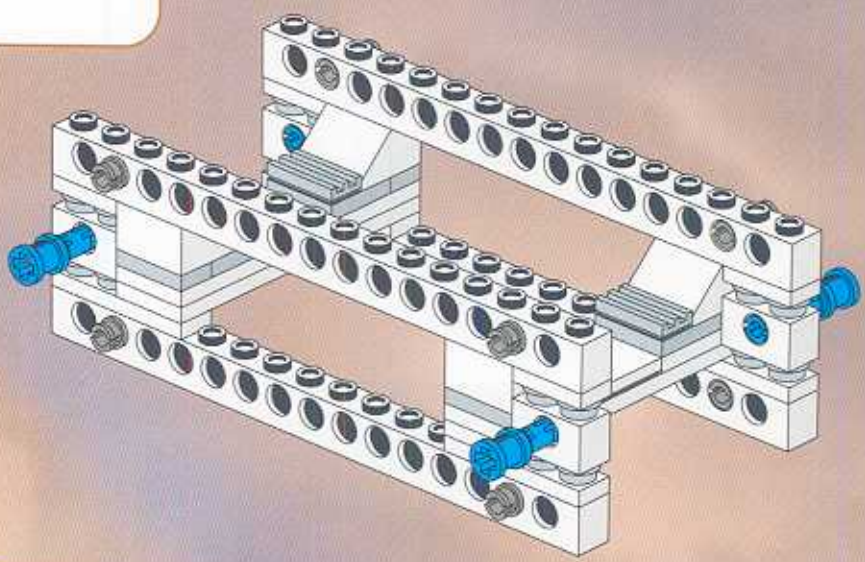




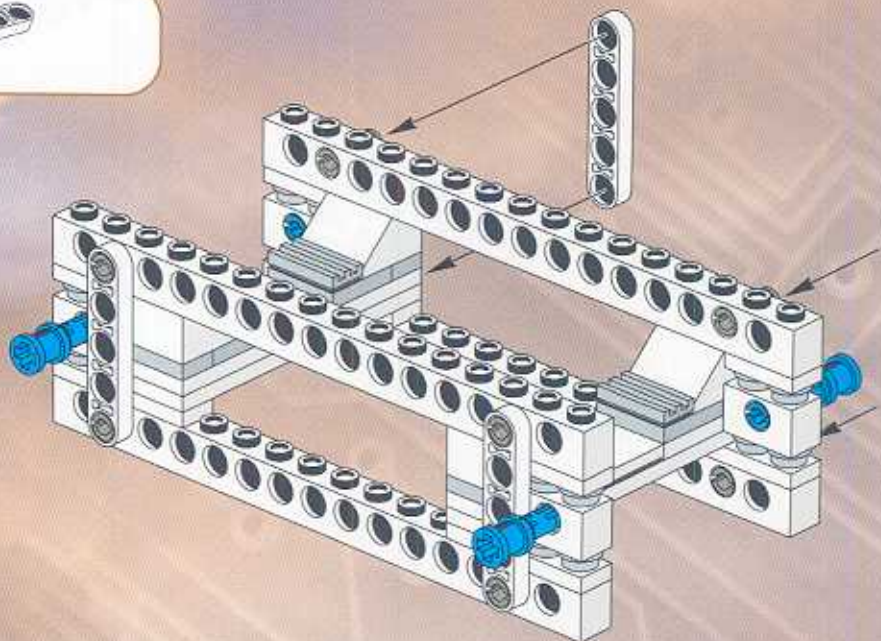
10



11



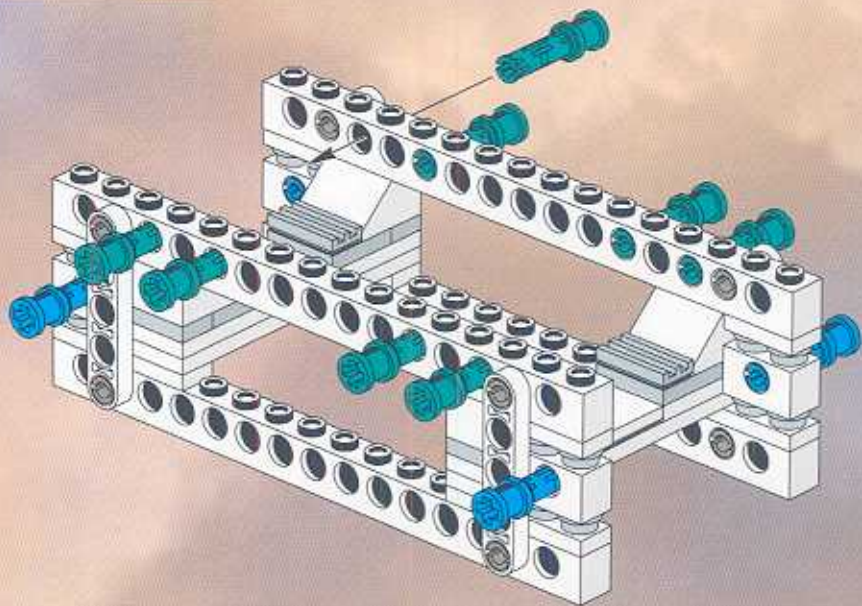
12





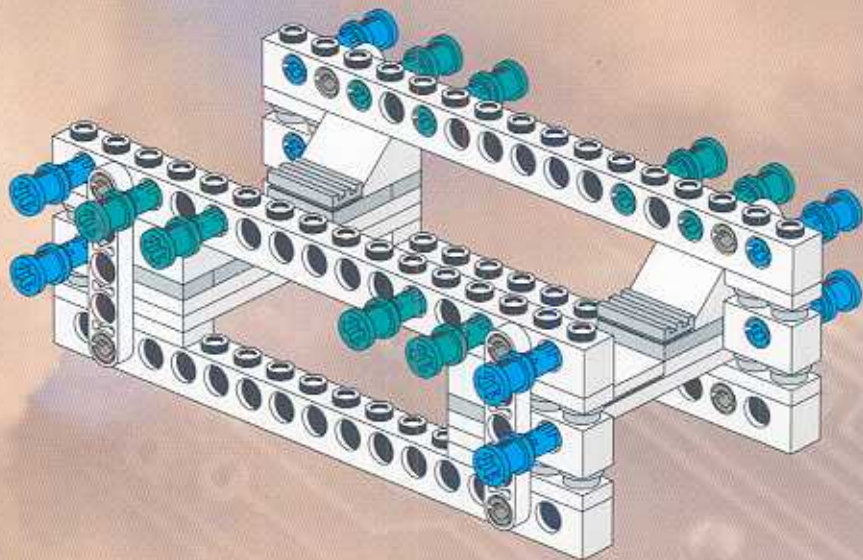
13

8x 

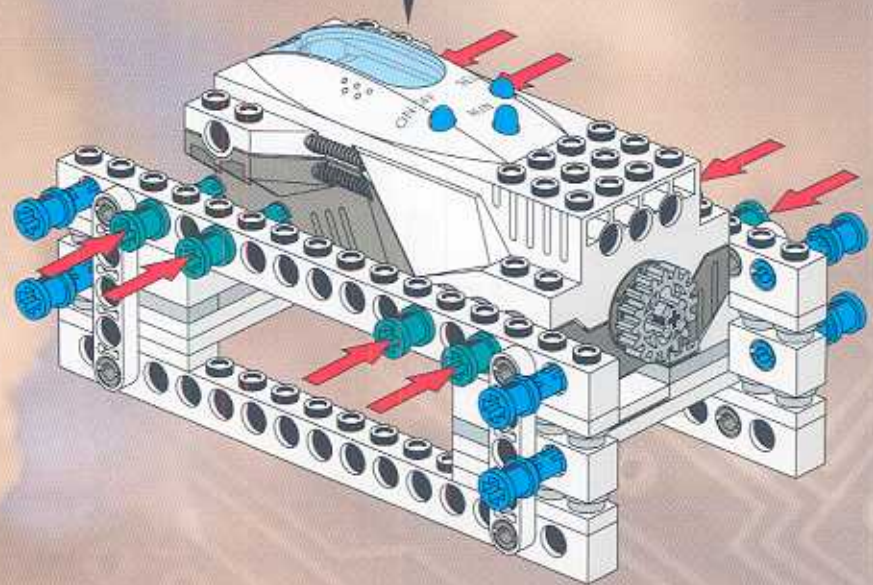
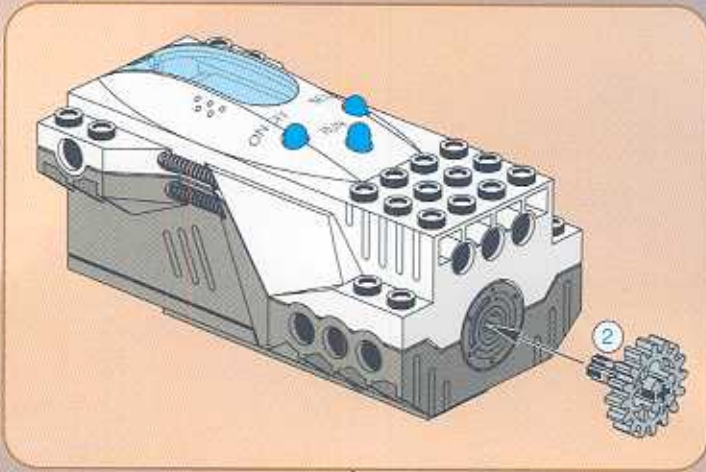
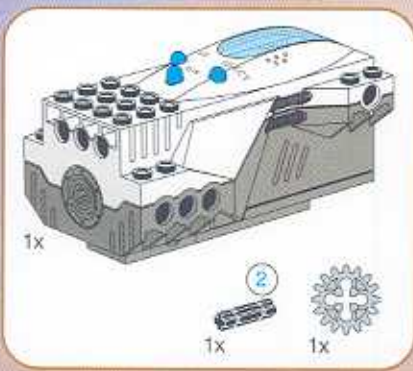


14

4x 



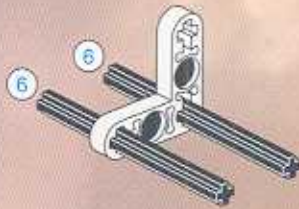
15



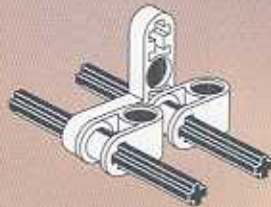




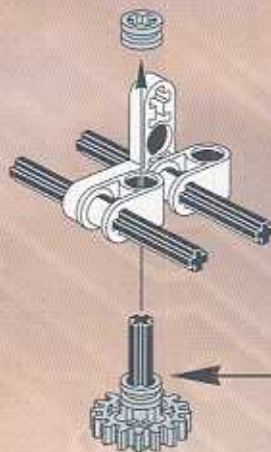
1



2

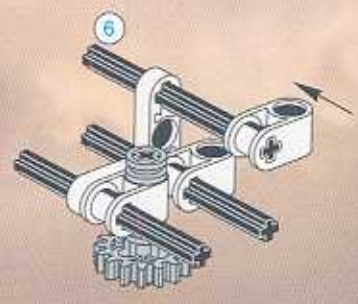


3

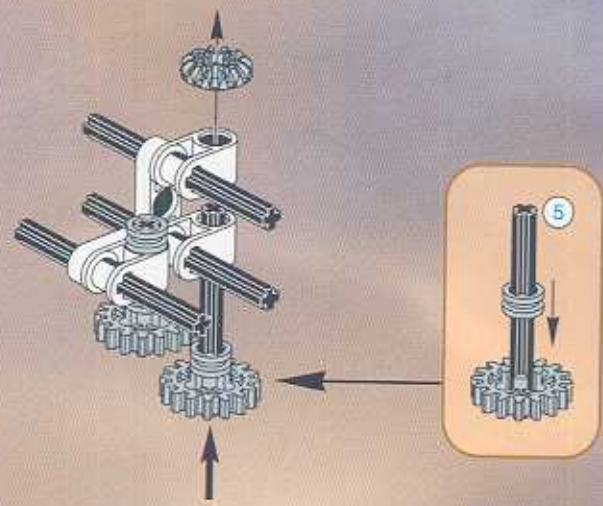
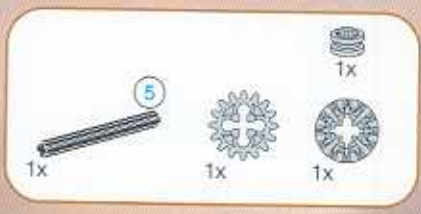




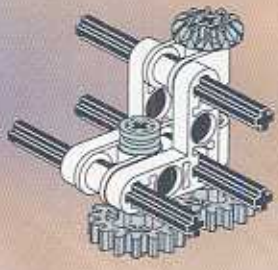
4



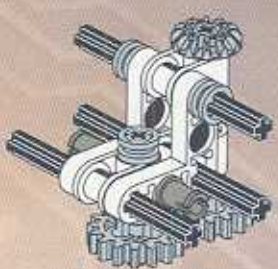
5



6

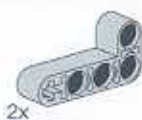


7

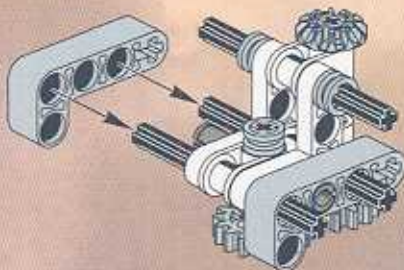




8



2x



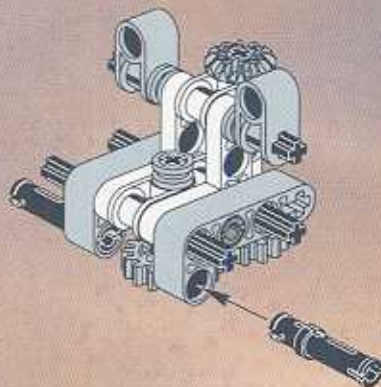
9



2x



2x



10



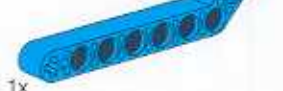
1x



2x

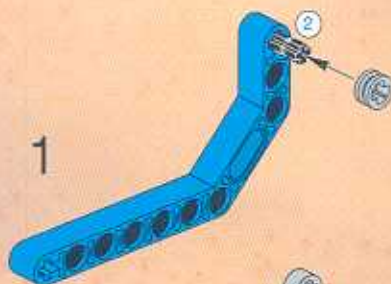


1x

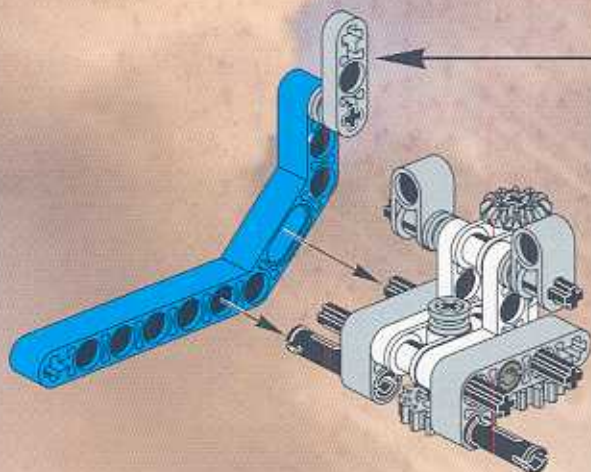
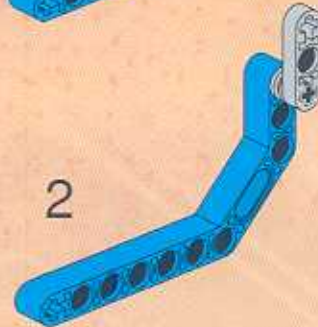


1x

1

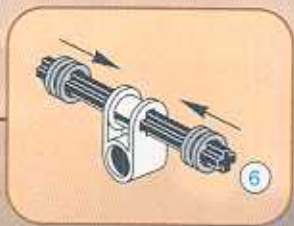
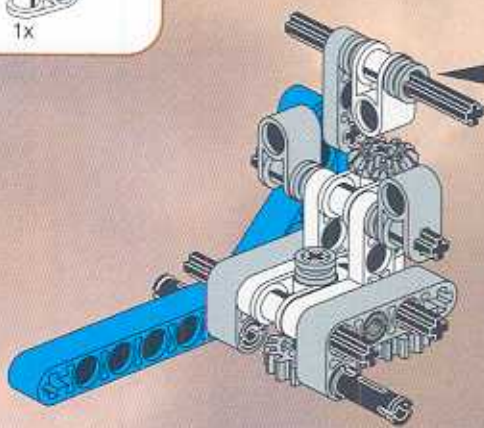
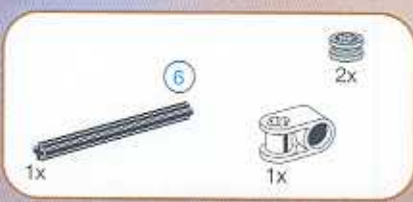


2

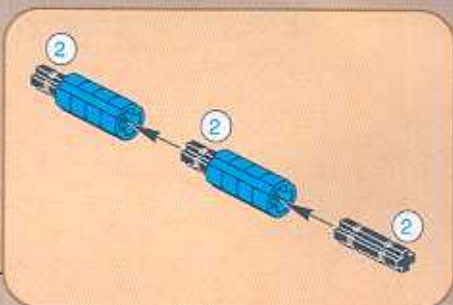
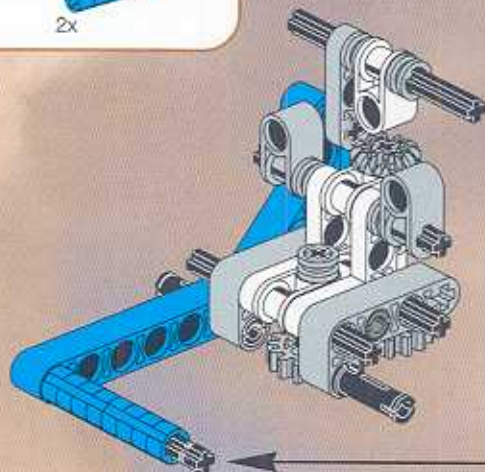
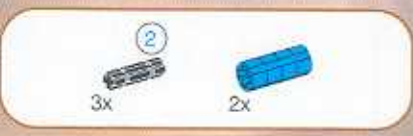




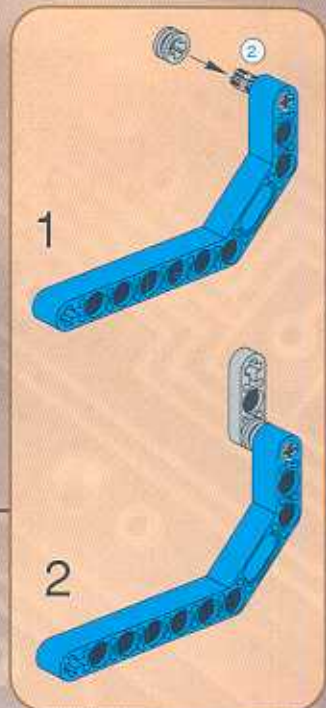
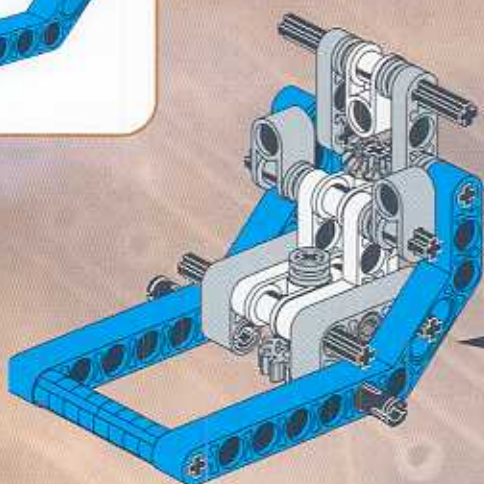
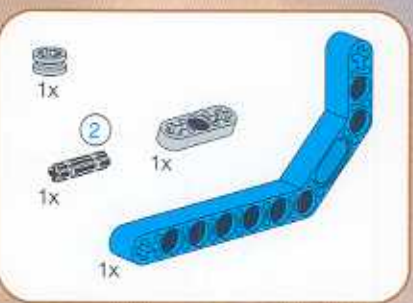
11



12

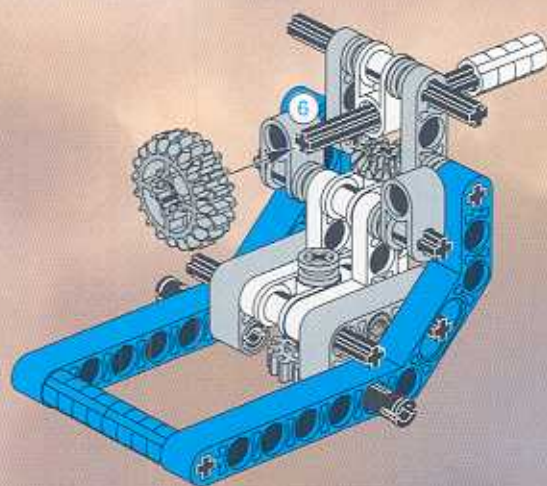
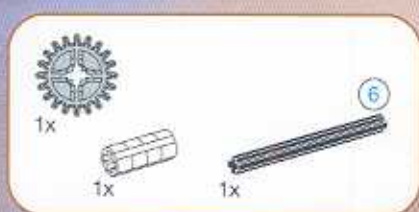


13

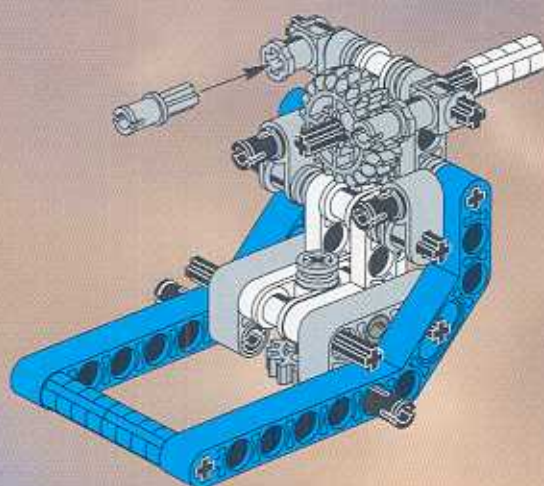




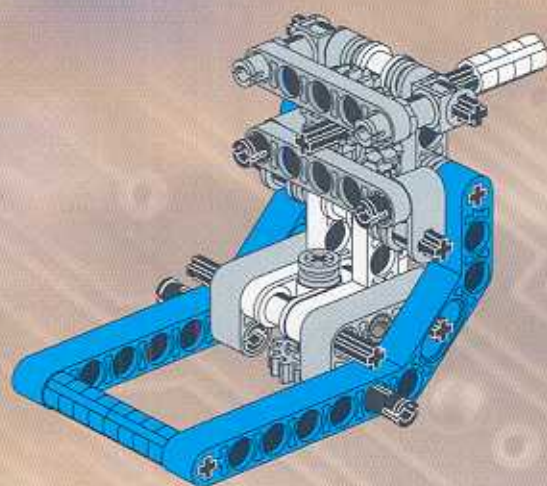
14



15

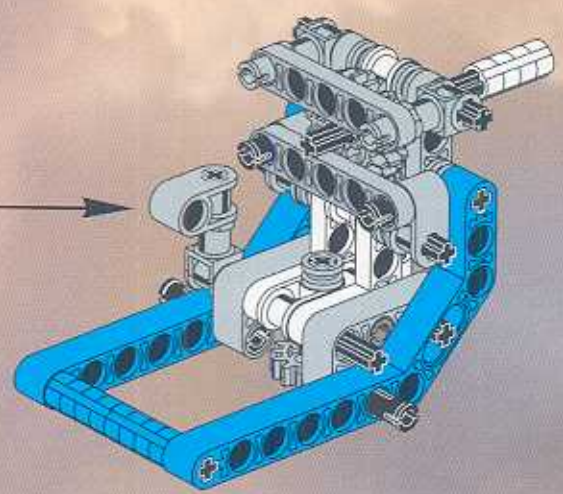
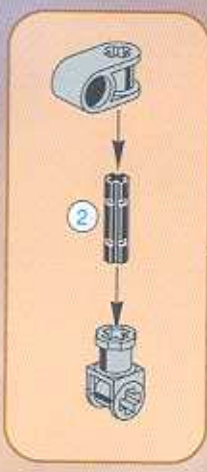


16

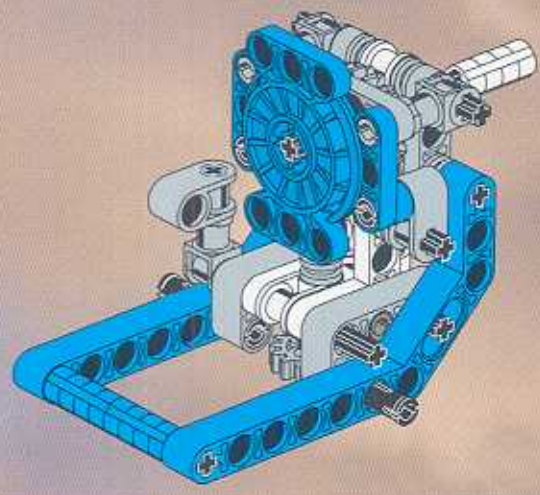




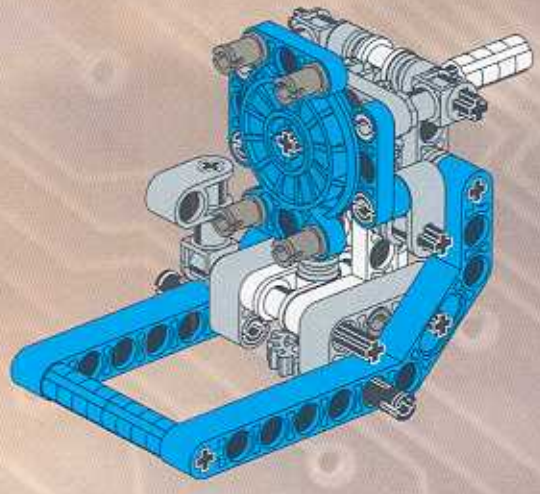
17

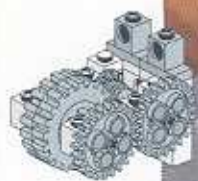


18

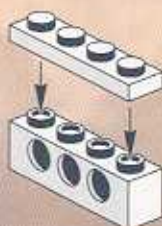
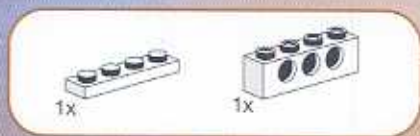


19

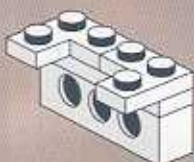




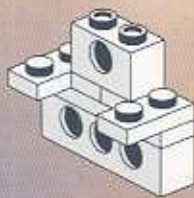
1



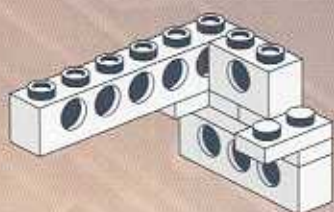
2



3

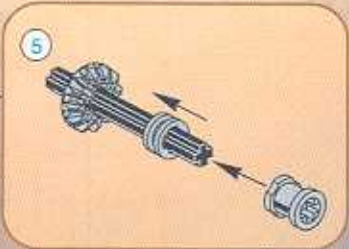
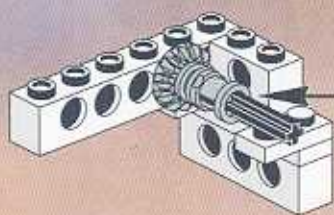


4

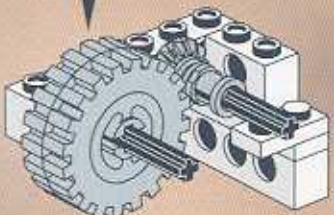
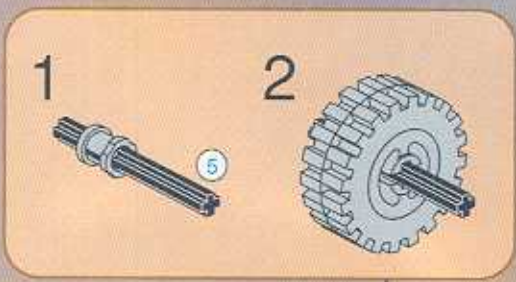




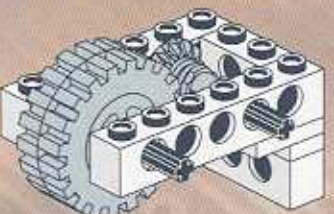
5



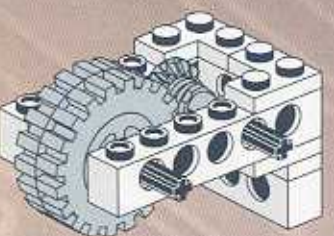
6



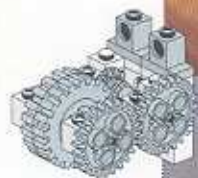
7



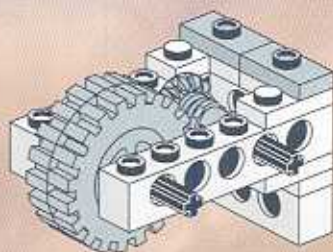
8



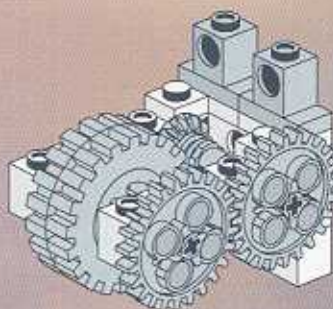




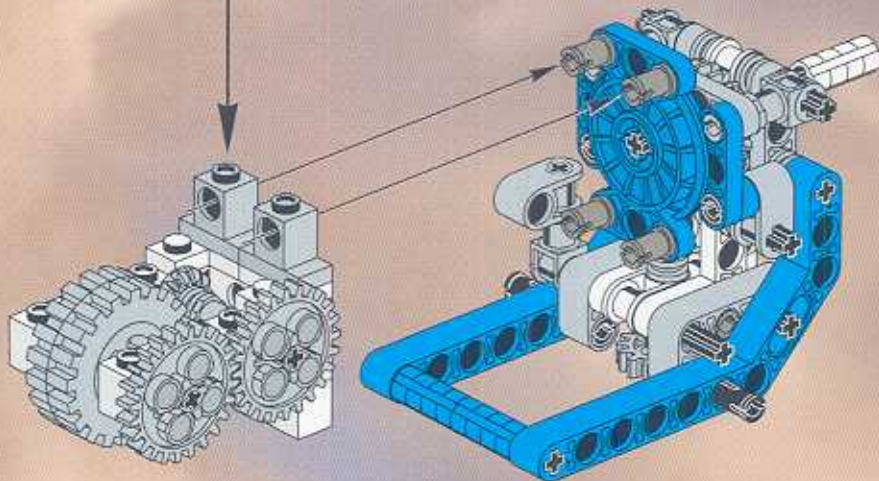
9



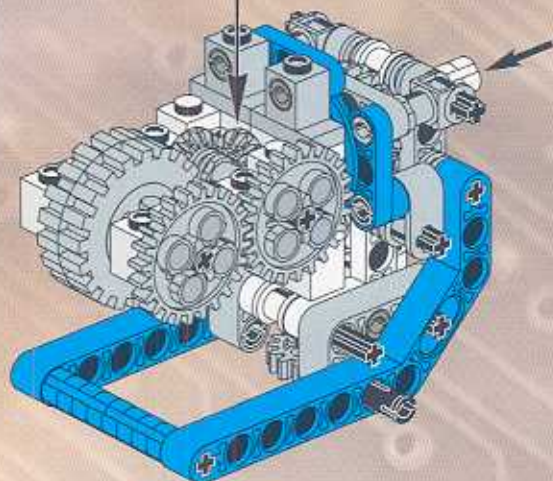
10



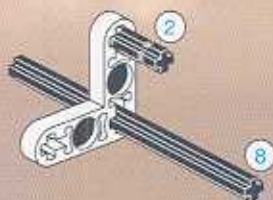
20



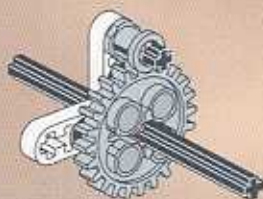
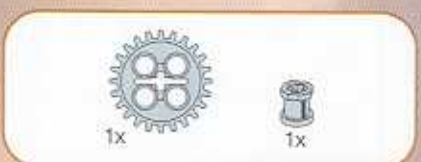
21



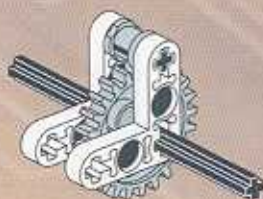
1



2

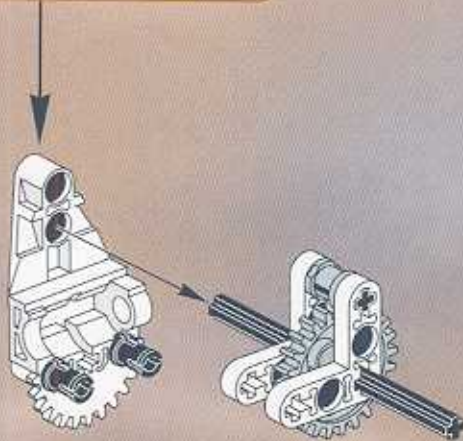
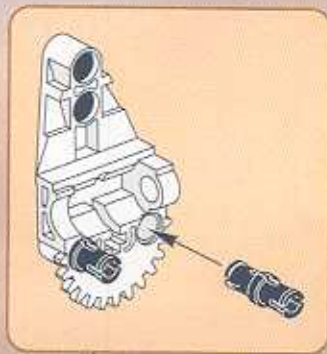
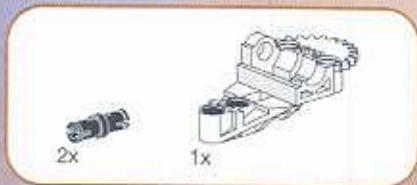


3

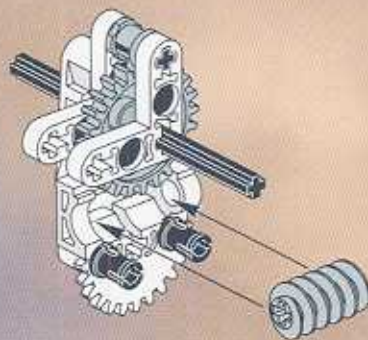




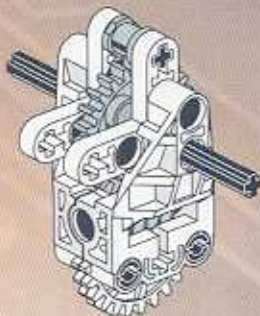
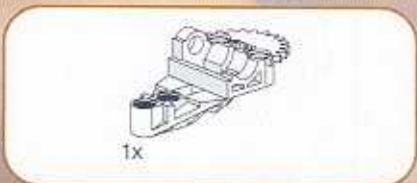
4



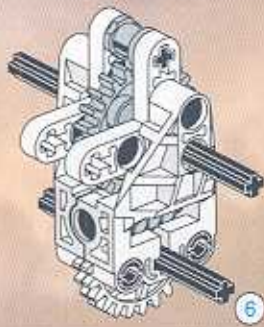
5



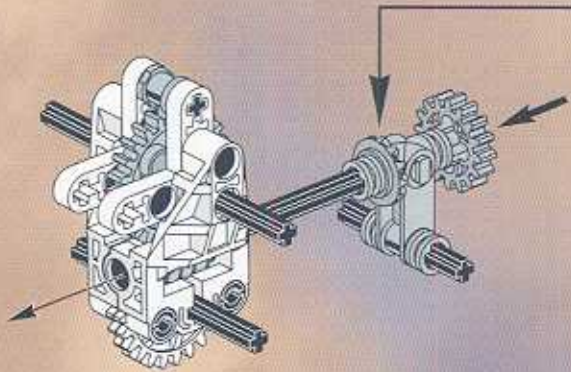
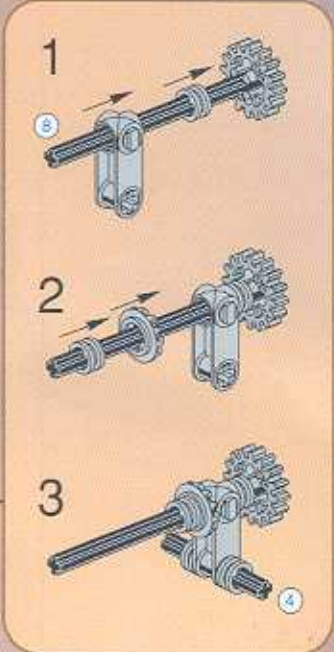
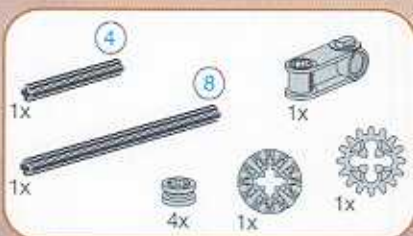
6



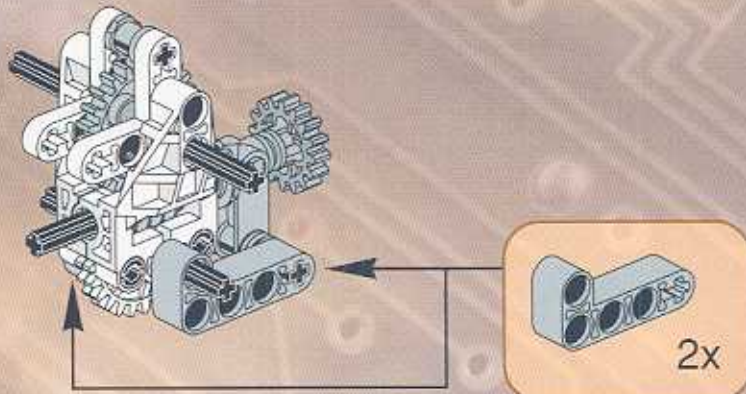
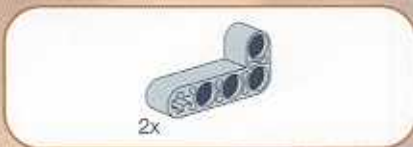
7



8

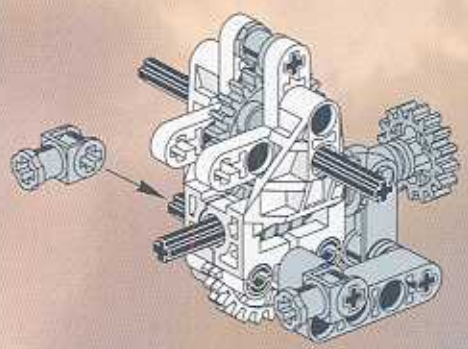


9

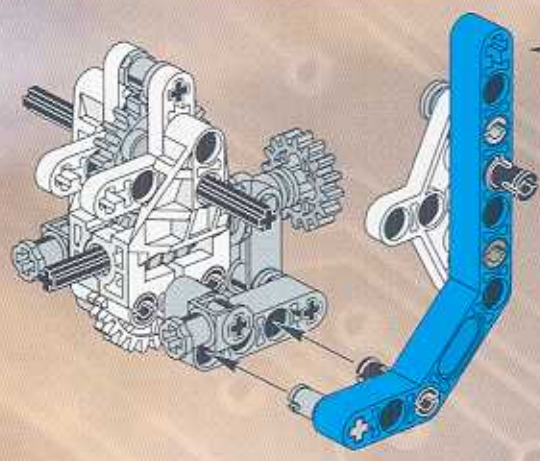
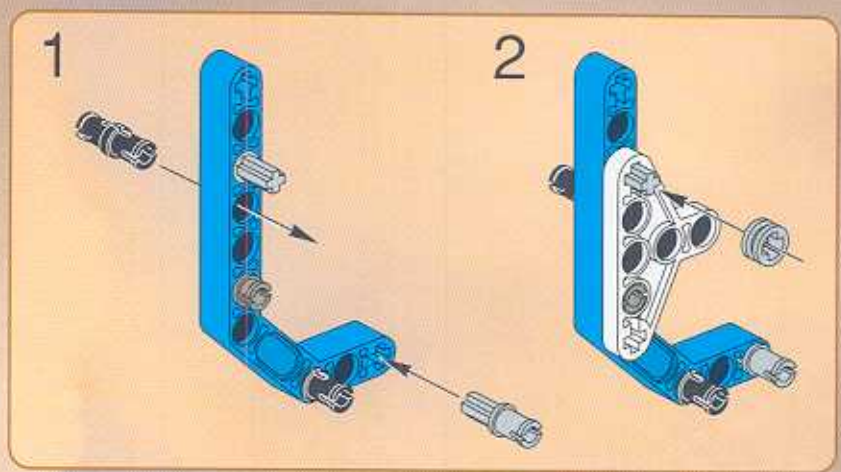
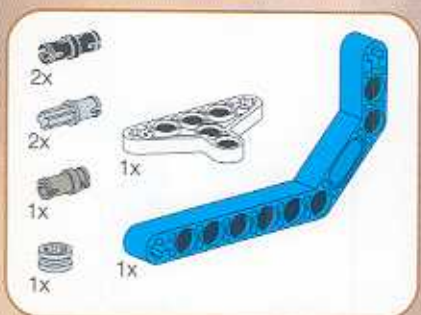


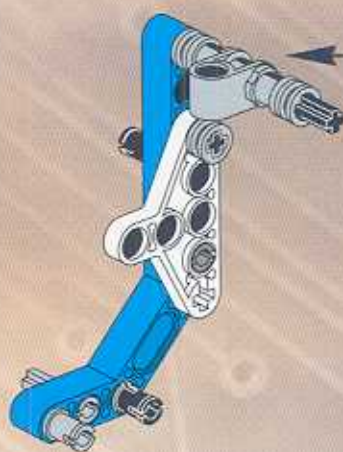
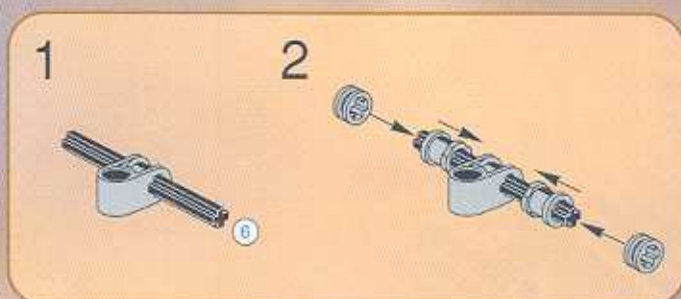
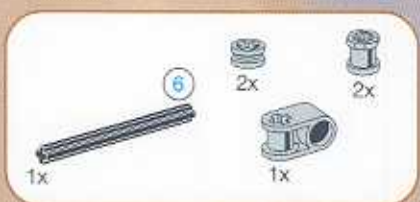
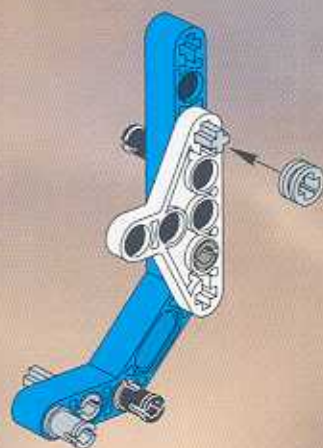
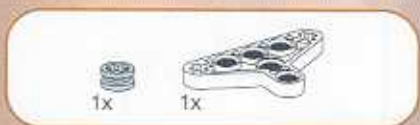
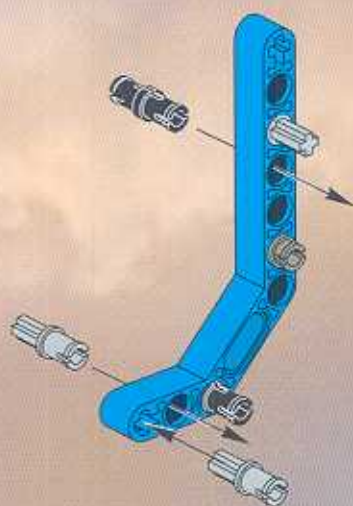
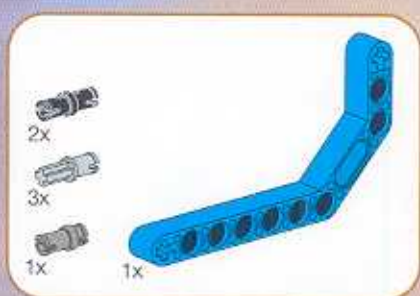


10



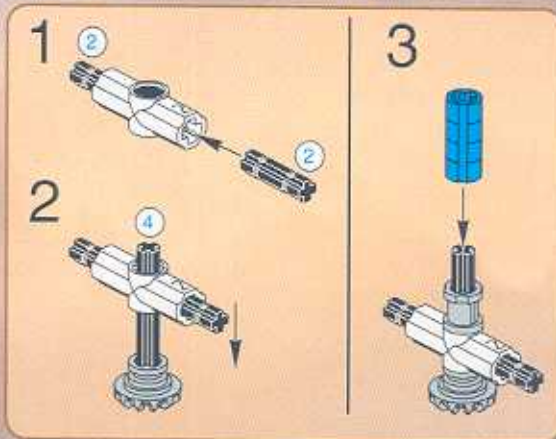
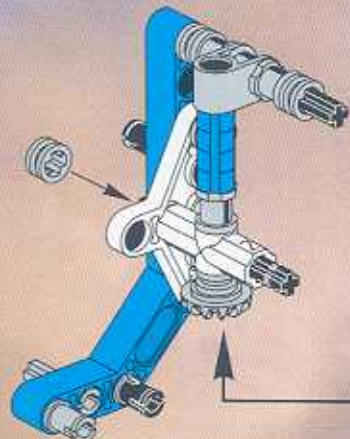
11



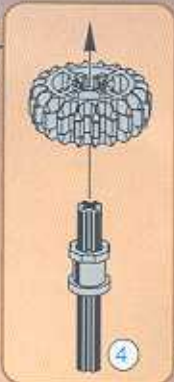
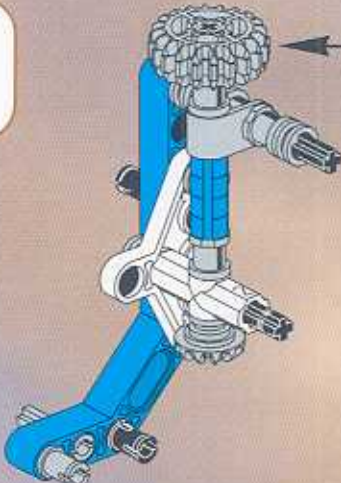




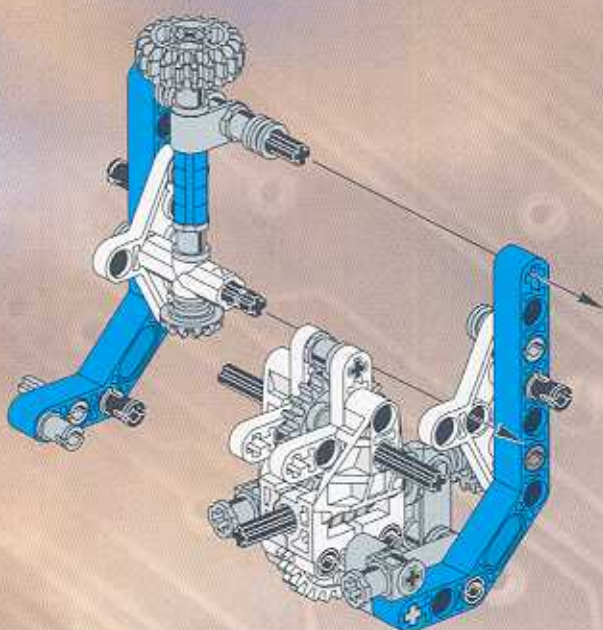
4



5

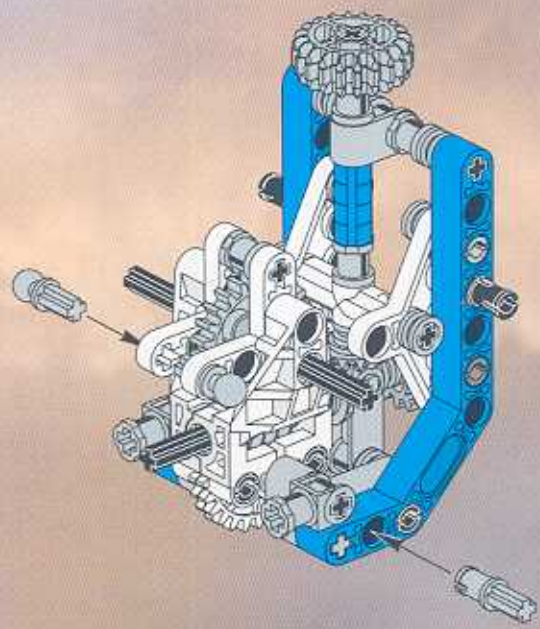


12

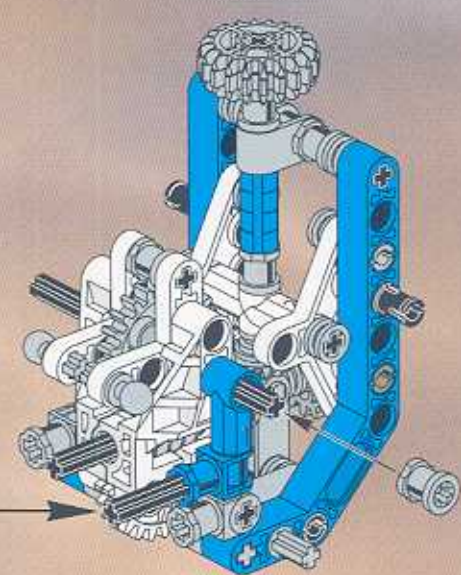
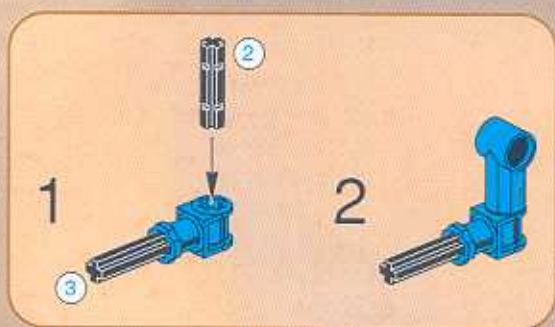




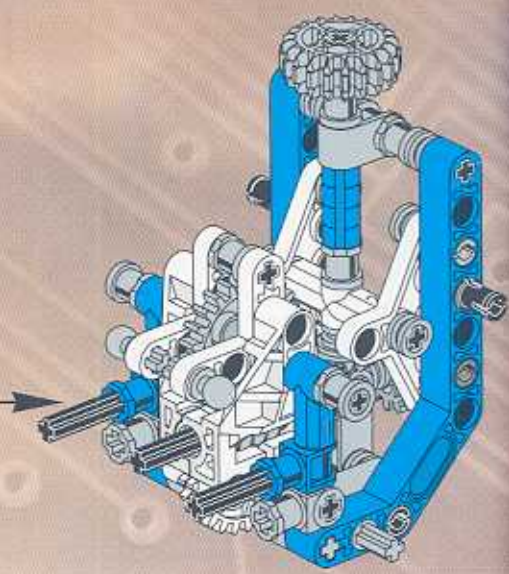
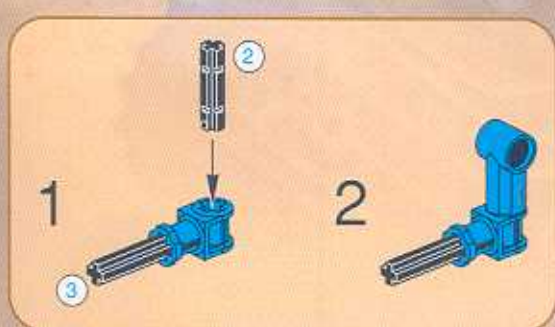
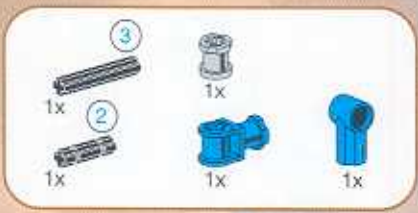
13



14



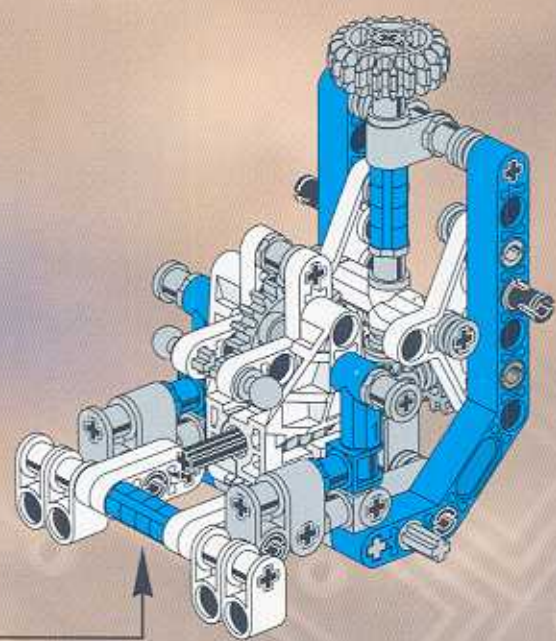
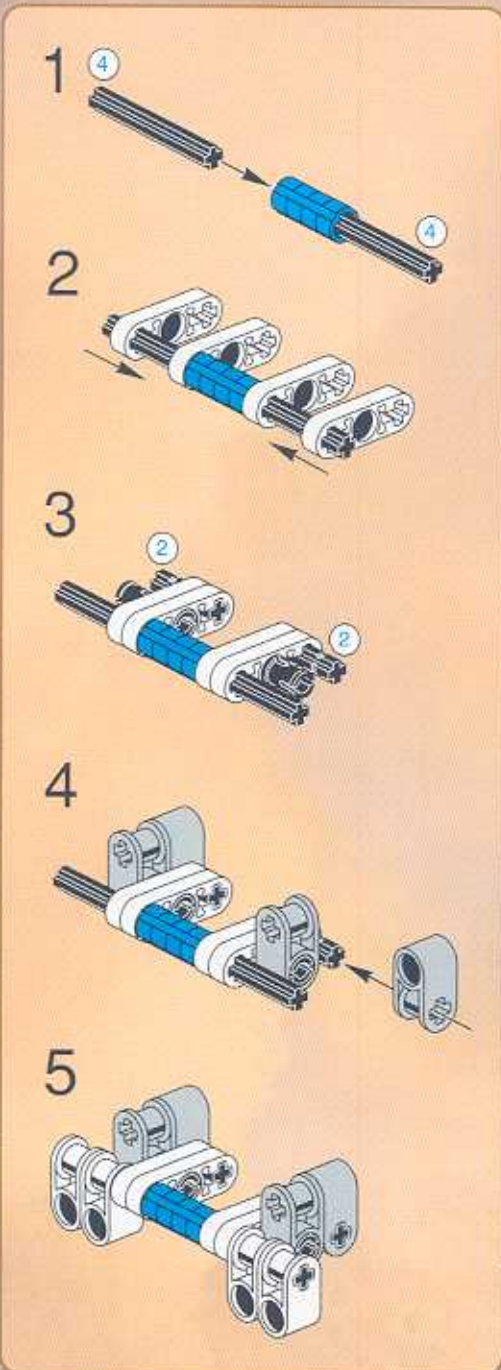
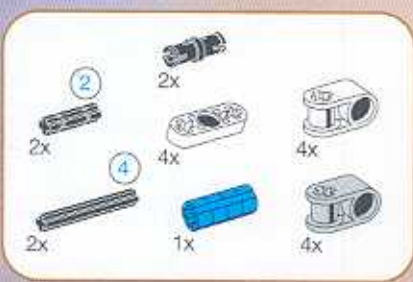
15





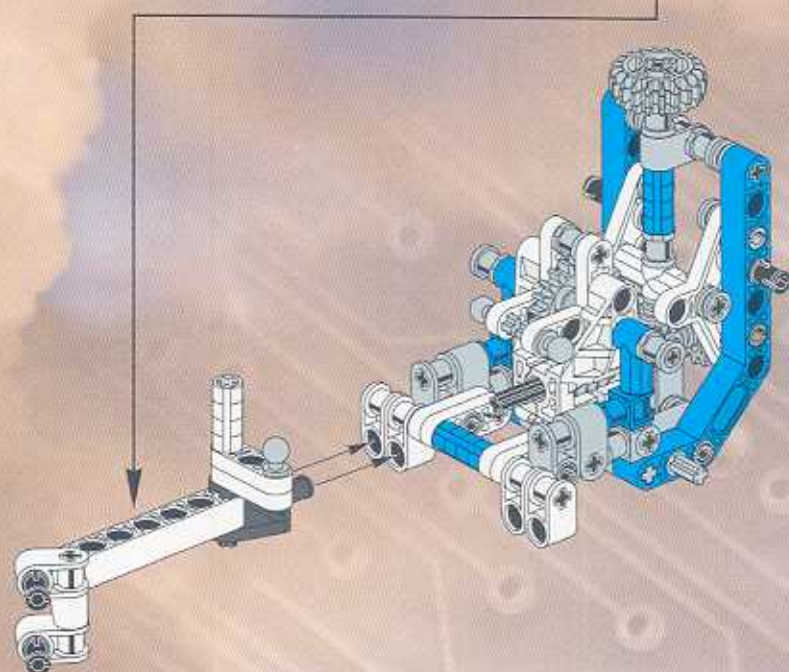
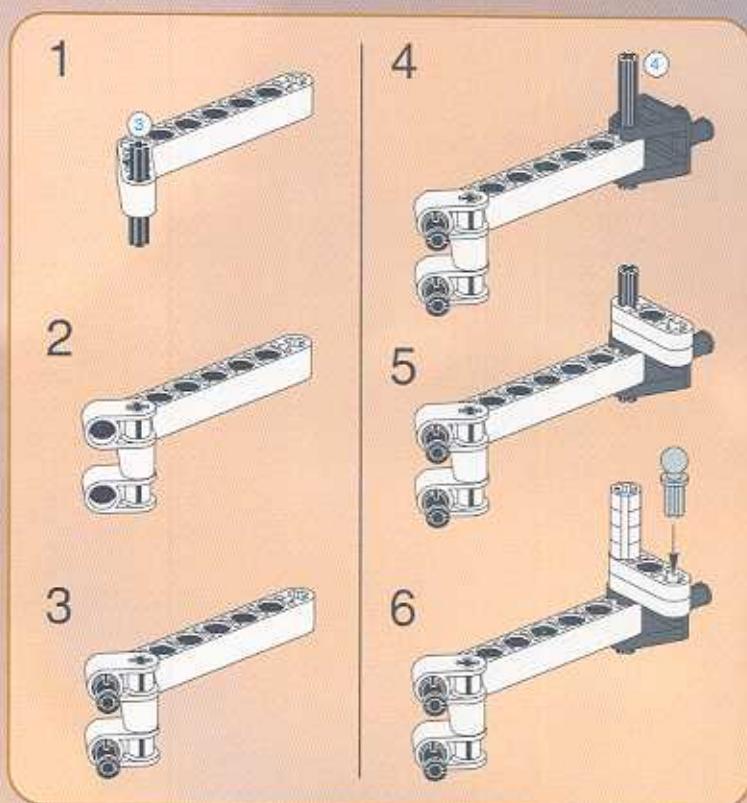


16



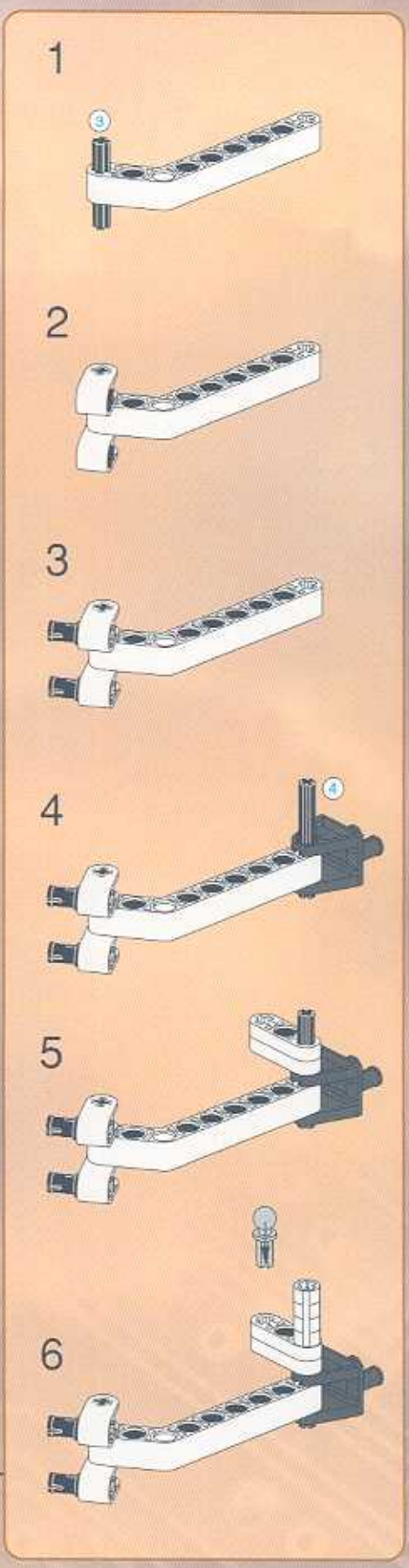
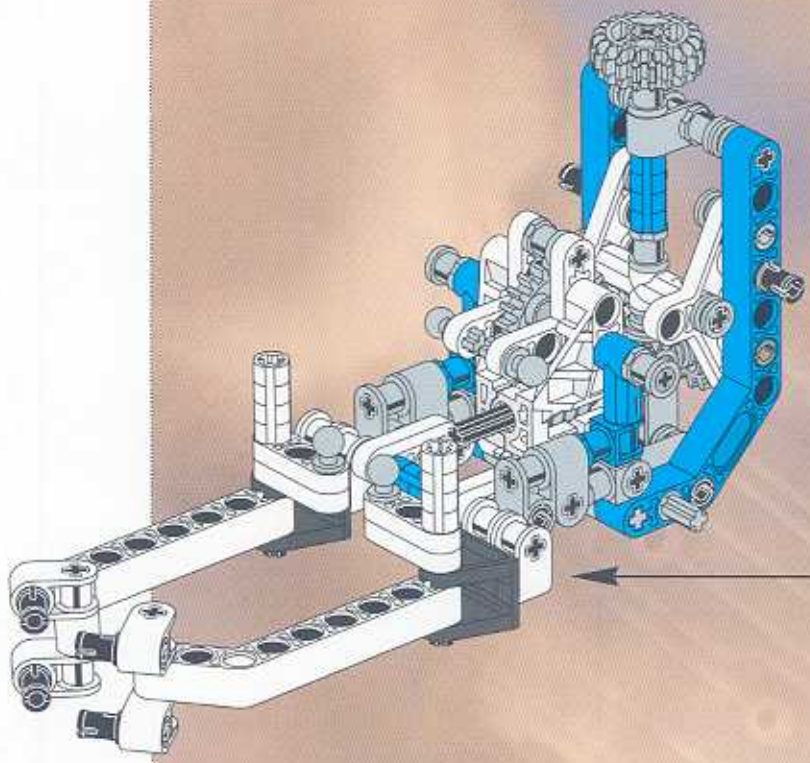
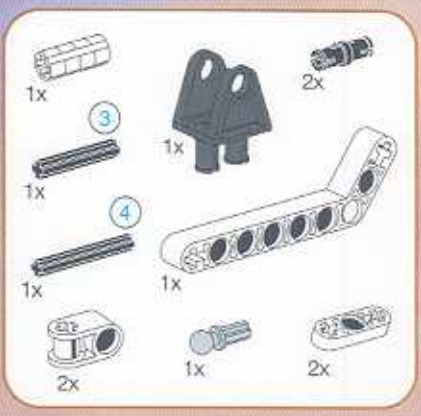


17

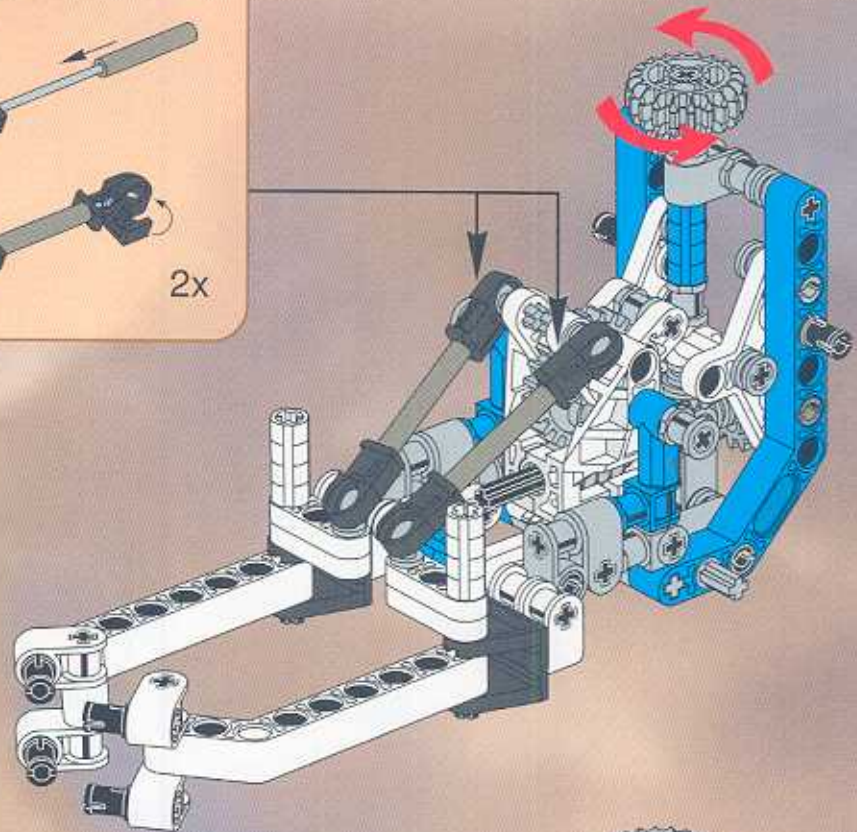
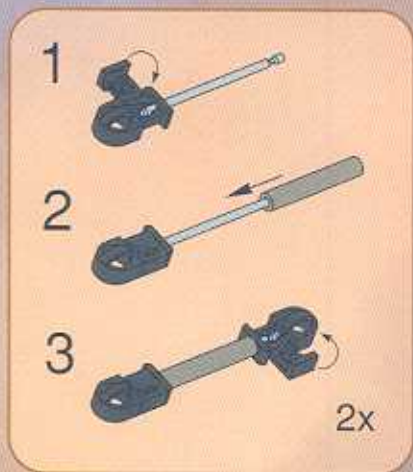
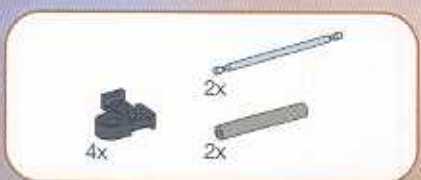




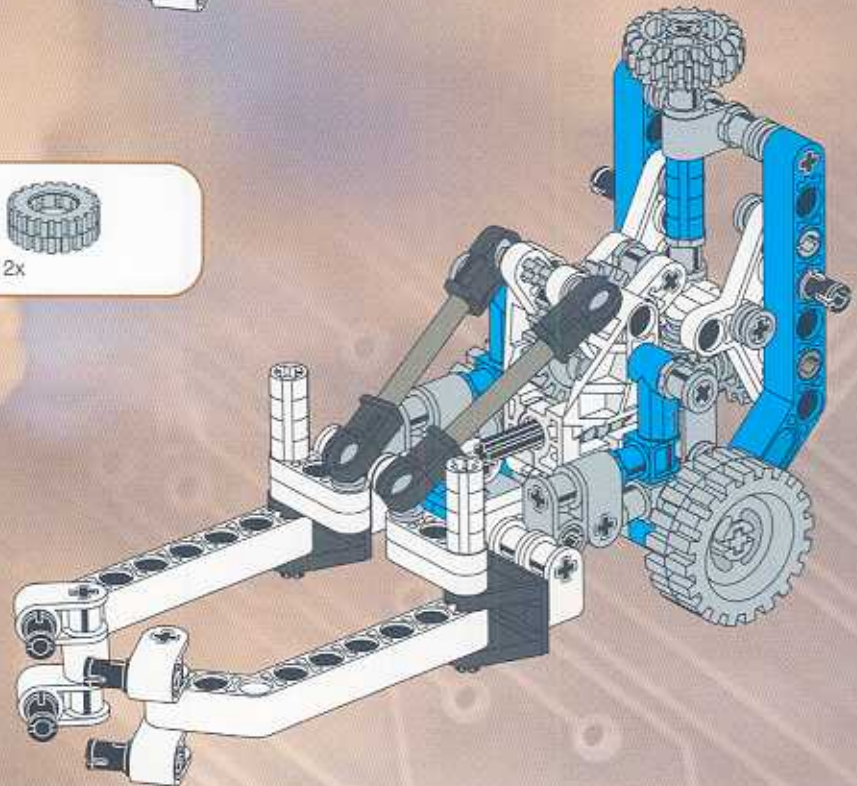
18



19

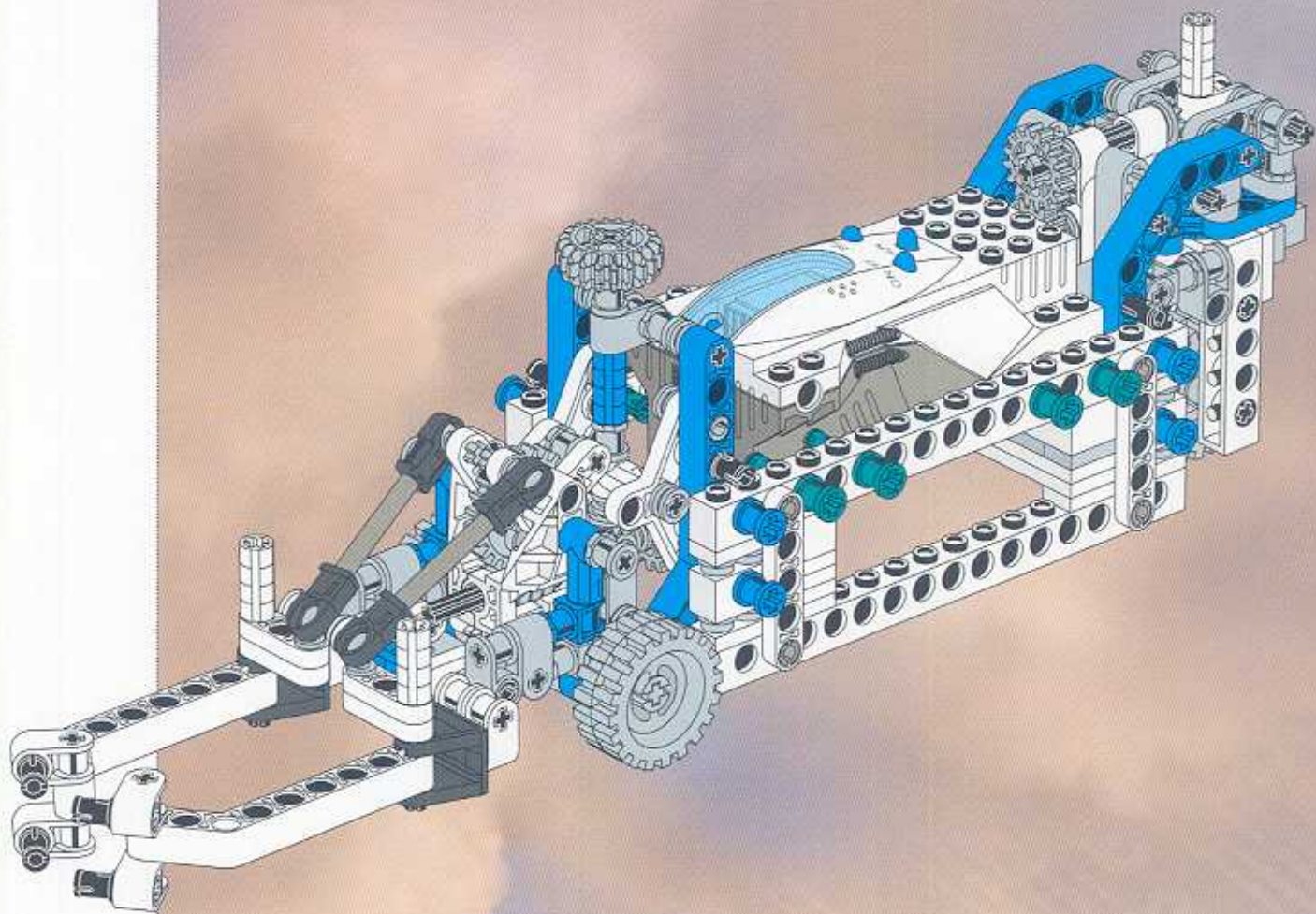


20





21

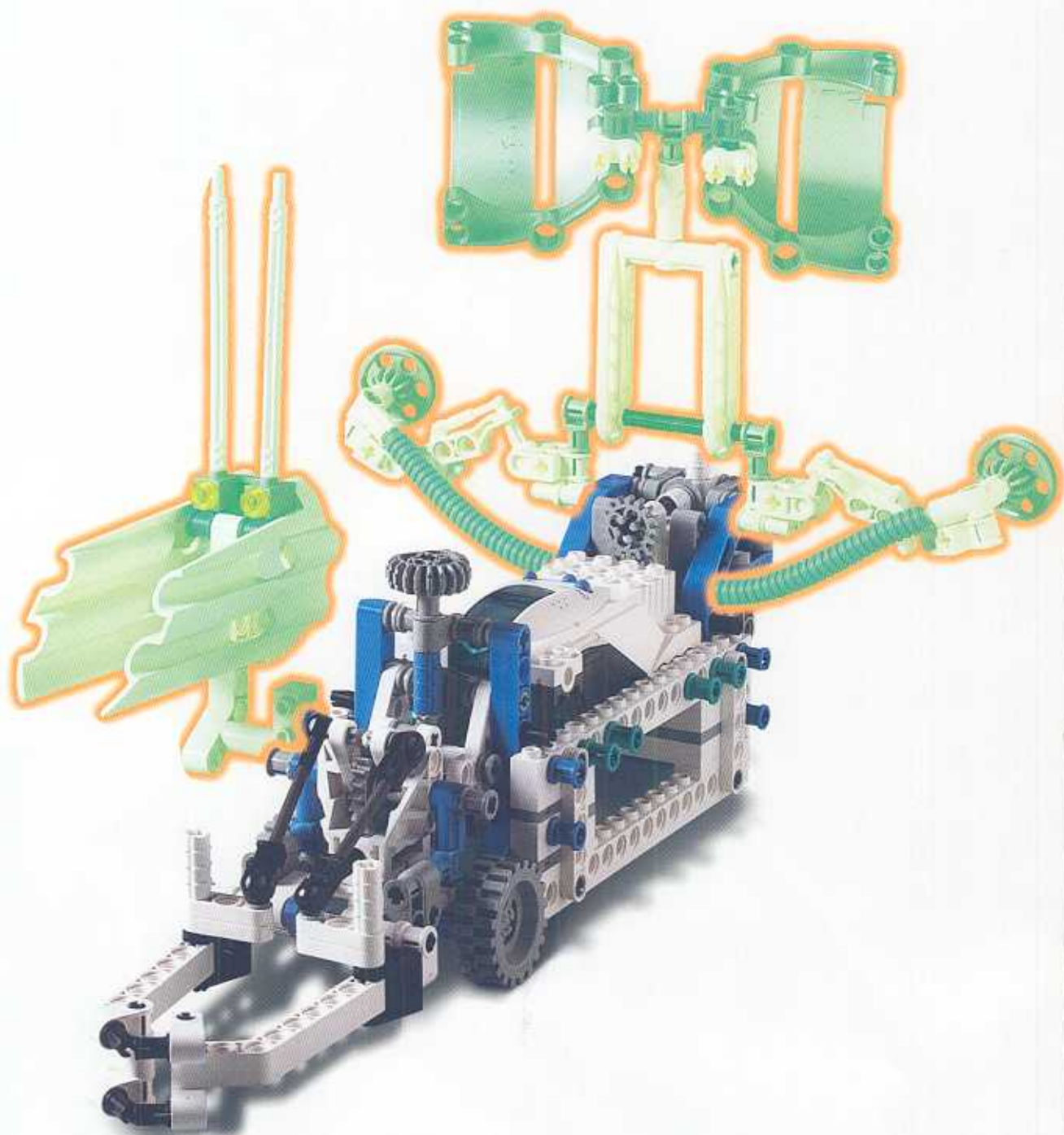


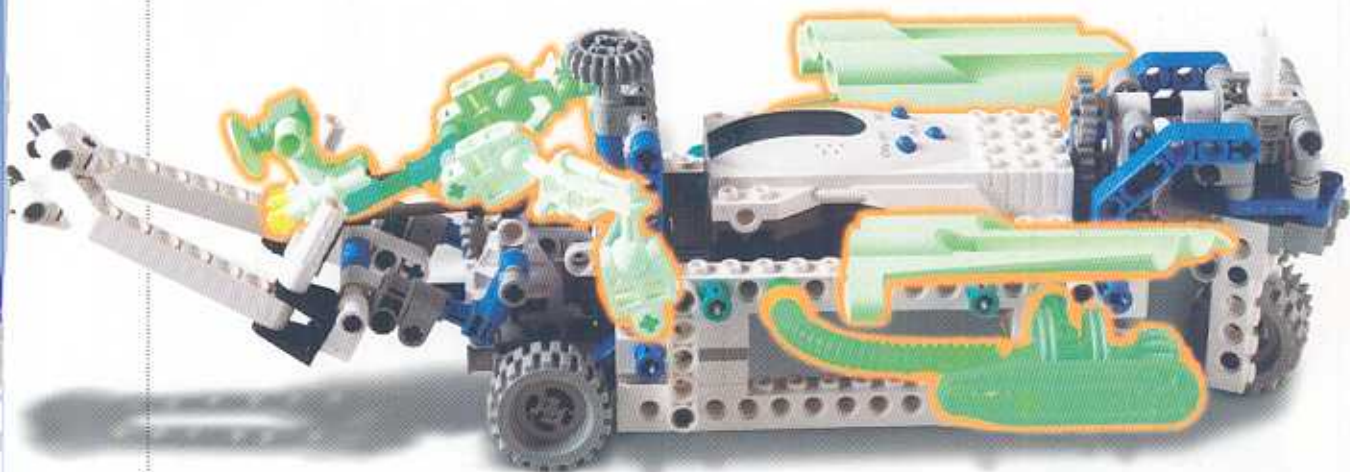
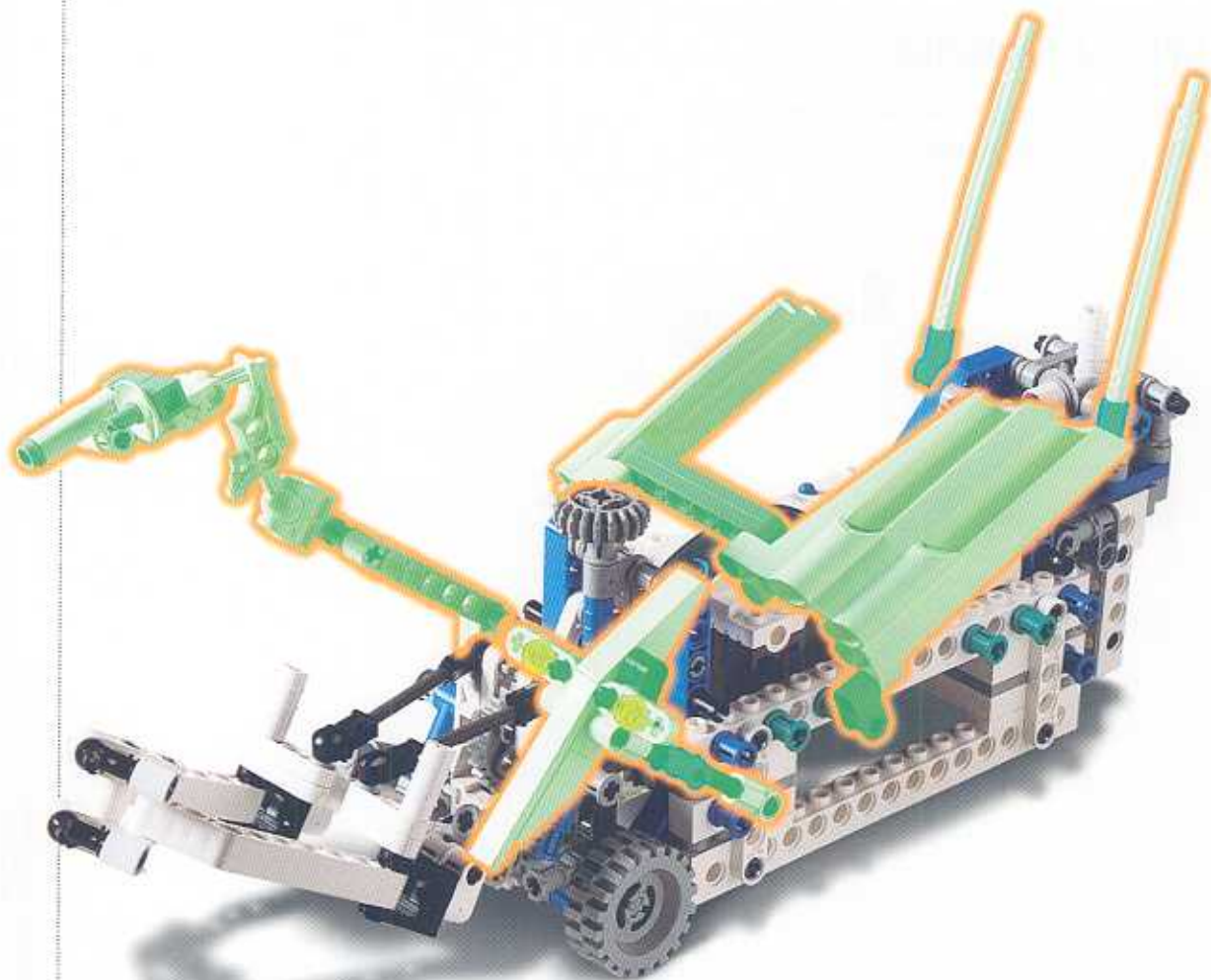
## SPECIAL FEATURES



## INSPIRATIONAL DROIDS

Here are some custom Droids you can build in the Jedi Knight Level.







## SPECIAL FEATURES

Attach the following Special Features to add new actions and behaviors to your Droids.



### Camera feature

Telescopic Camera



### Head feature

Swing Head



### Head feature

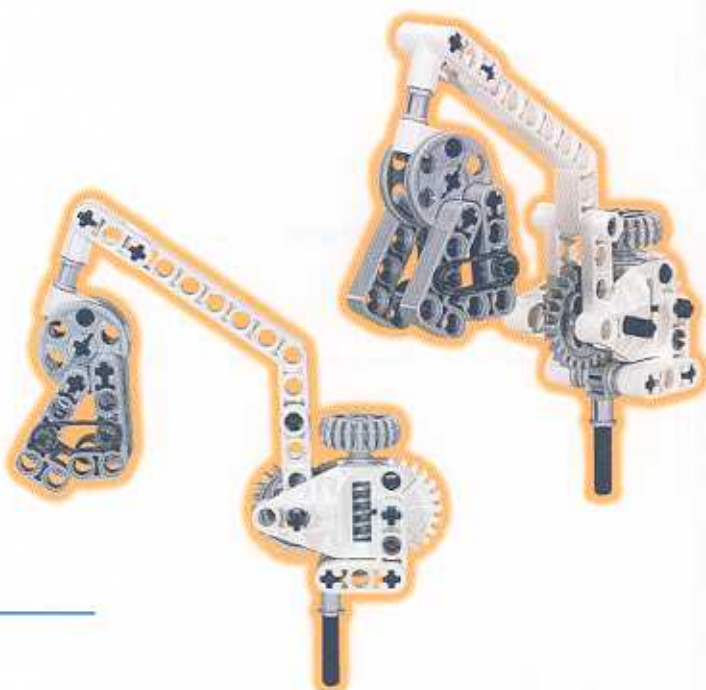
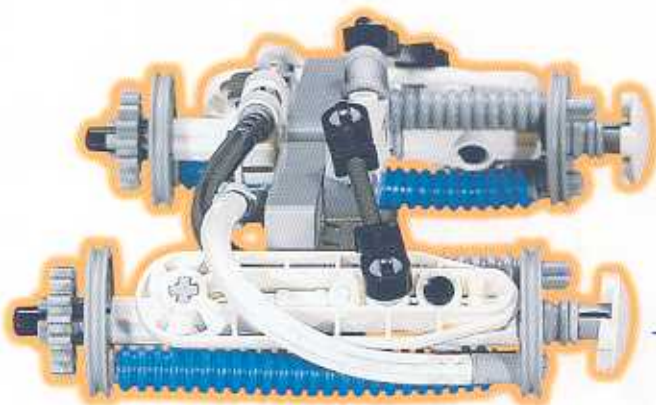
Beetlehead





**Engine feature**

Ion Jet Drive



**Tool feature**

Swinging Crane



**Defense feature**

Target Tracking Laser

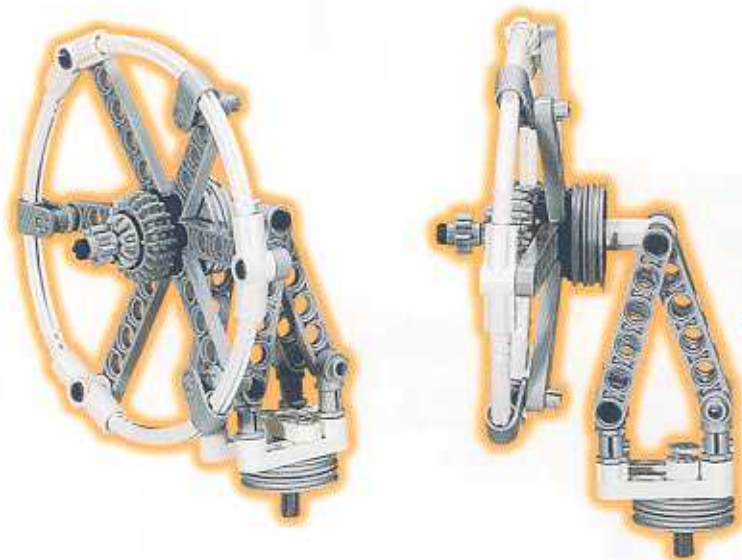


## Flying feature

Aerofoils

## Detect feature

Precision Radar



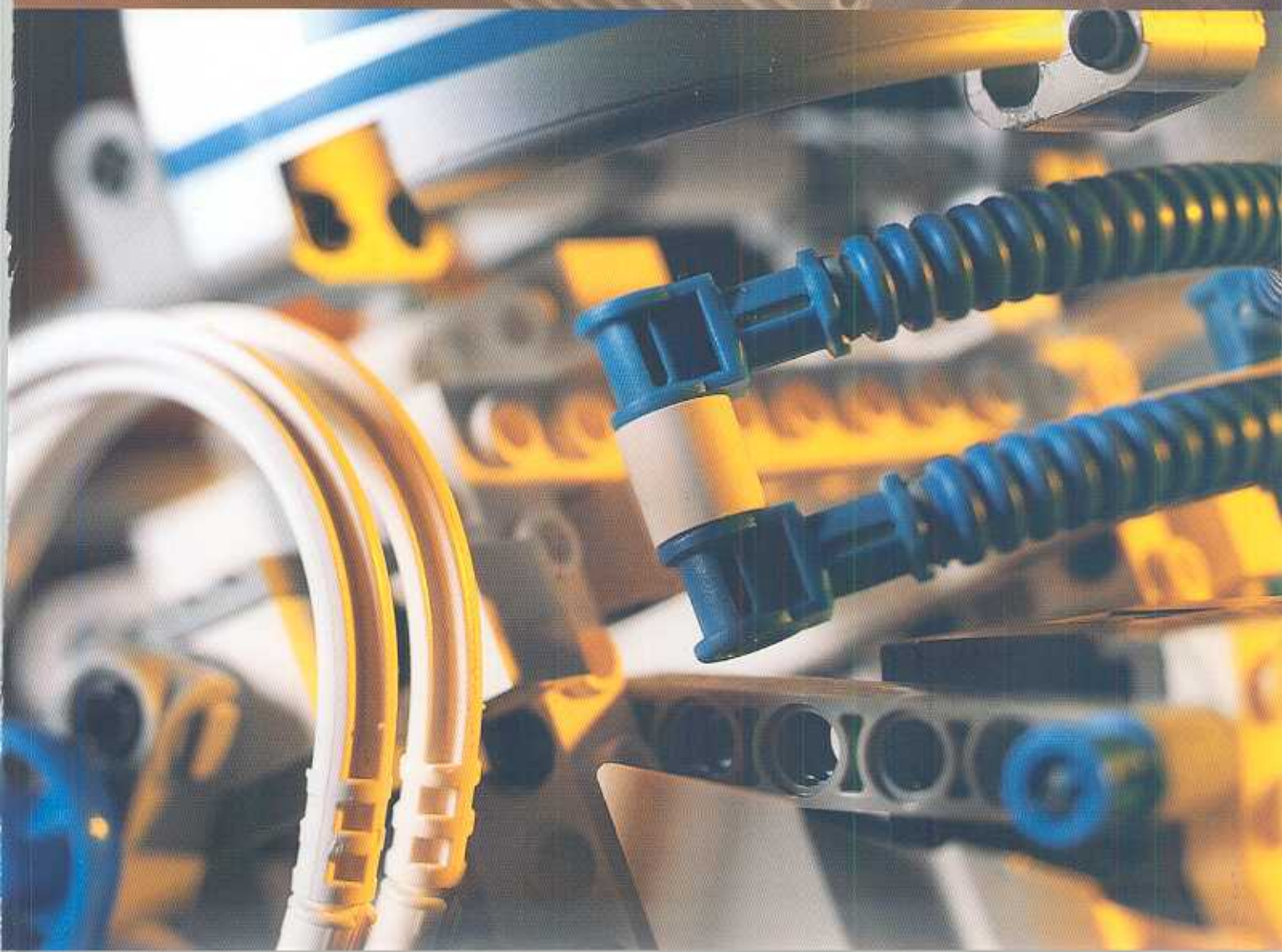
## Detect feature

Wide Band Radar

## TECHNICAL STUFF

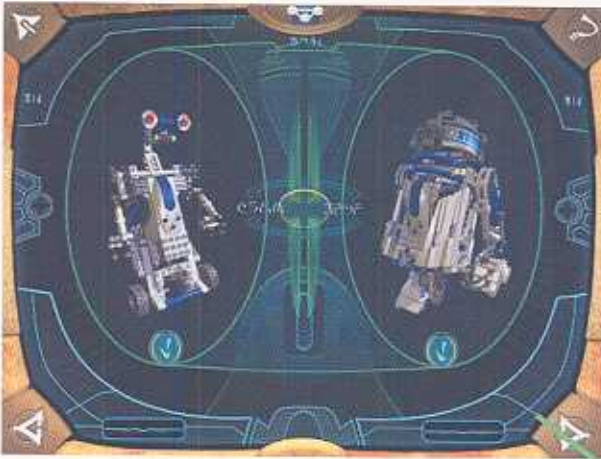
*Droid™ Developer Kit CD-ROM*

*Tips & Tricks*



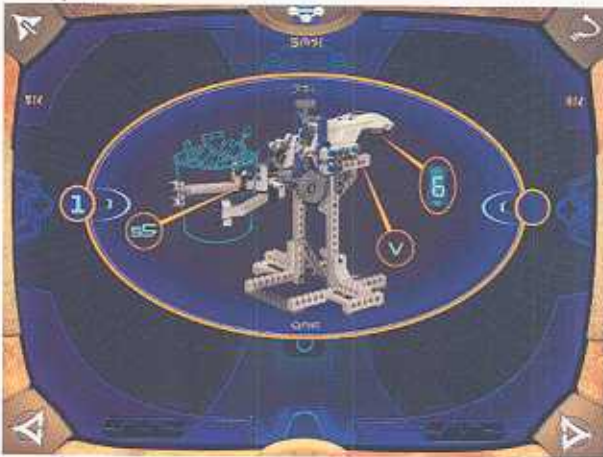
## DROID DEVELOPER KIT CD-ROM

The challenges on the CD-ROM can help you achieve the rank of Jedi Master in building Droids. There are three levels to complete. The screen shots on these pages show you some of the adventures waiting to be encountered.



*R2-D2™ building step from the Apprentice Level.*

*Apprentice Level where you can build L-3GO and R2-D2™.*



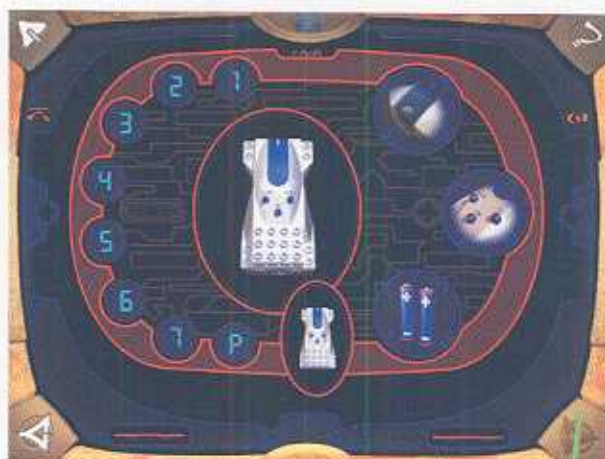
*Jedi Knight Level.*



*Jedi Master Level.*



*The Tech Files, containing details on all Special Features, frames and sub assemblies for your Droids.*



*Micro Scout Tutorial.*



*When at the Exit screen, you can press ctrl+A to achieve Apprentice Level, ctrl+K to achieve Jedi Knight Level, and ctrl+M to achieve Jedi Master Level.*

## TIPS & TRICKS

How to build stronger, bigger and better Droids.

